



**LS** Tractor

# Part Manual



**C3030/C3040**

**LS Tractor USA, LLC**

6900 Corporation Parkway,

Battleboro, NC 27809

Phone : 252-984-0700

Fax : 252-984-0701

---

# ENGINE PART

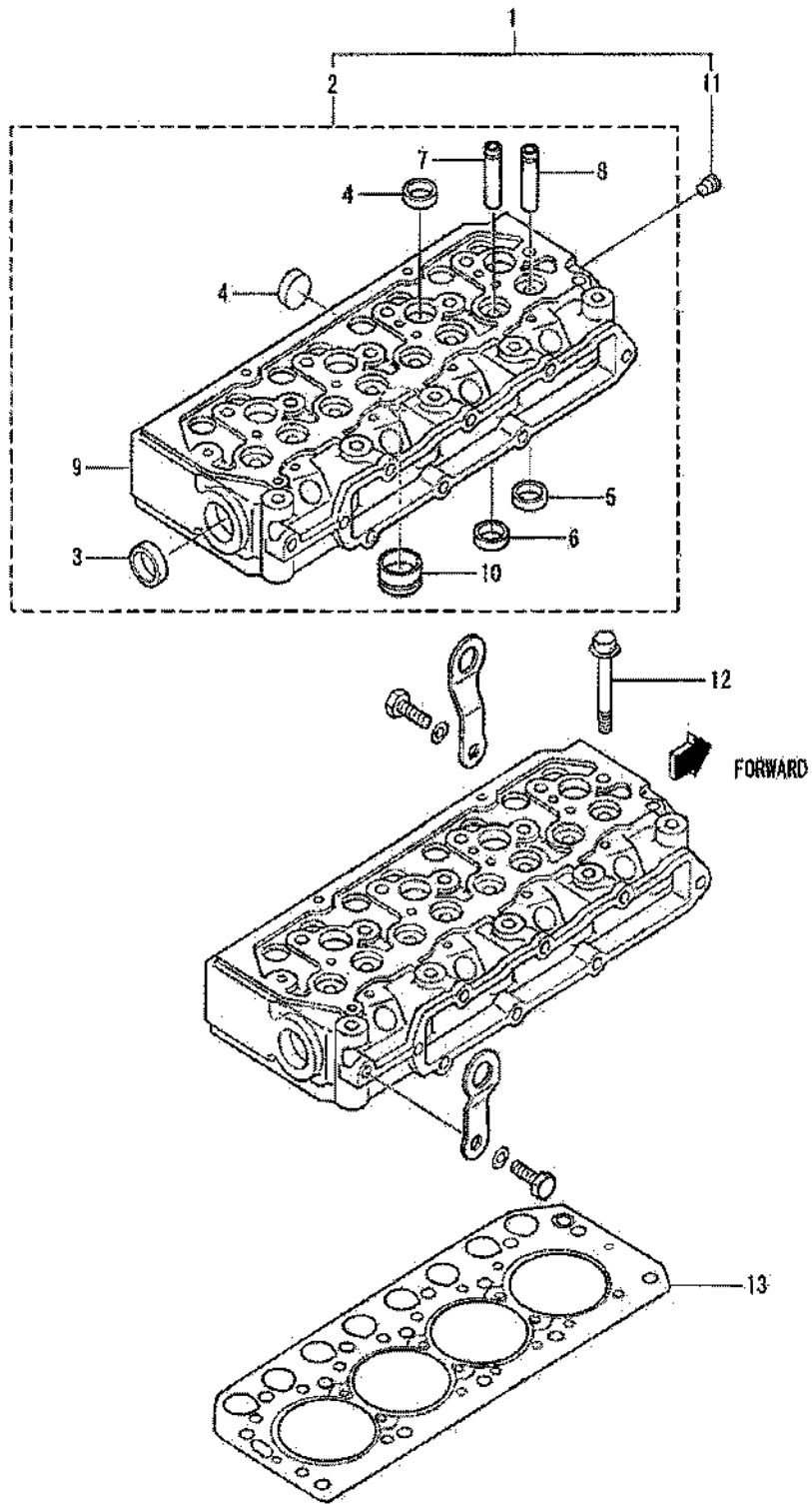
---

## ■ C3030/C3040

CYLINDER HEAD	FIG. 01
VALVE MECHANISM	FIG. 01-02
CRANKCASE ASSY	FIG. 04-01
CRANKCASE	FIG. 04-02
TIMING GEAR CASE	FIG. 05
OIL PAN	FIG. 07-00-01
MAIN MOVING PARTS	FIG. 07-00-02
TIMING GEAR	FIG. 09
INLET & EXHAUST MANIFOLD	FIG. 11
OIL PUMP	FIG. 12
OIL SYSTEM	FIG. 13
COOLING SYSTEM	FIG. 17
FUEL SYSTEM	FIG. 19
NOZZLE & NOZZLE HOLDER	FIG. 20
INJECTION PUMP	FIG. 21
FUEL FILTER	FIG. 23
GOVERNOR	FIG. 27
ELECTRIC PARTS	FIG. 30
STARTER (12V-2.0Kw)	FIG. 32
CONTROL SYSTEM	FIG. 35
INSTRUMENT	FIG. 35-02
OVERHAUL GASKET KIT	FIG. 36
OIL FILTER	FIG. 40
AIR BREATHER	FIG. 43
COOLING PUMP	FIG. 45
COOLING SYSTEM	FIG. 46
COOLING FAN	FIG. 48
FUEL PUMP	FIG. 60
FUEL SYSTEM	FIG. 61-01
NOZZLE & NOZZLE HOLDER	FIG. 61-02
FUEL FILTER	FIG. 62
GOVERNOR	FIG. 63-00-02
INJECTION PUMP	FIG. 65-00-01
INJECTION PUMP	FIG. 65-00-02
INJECTION PUMP	FIG. 65-02
STARTER (12V-2.0Kw)	FIG. 66-01
GLOW PLUG	FIG. 66-02
STARTER (12V-2.0Kw)	FIG. 66-03
ALTERNATOR	FIG. 48-01
ALTERNATOR	FIG. 68-02
CONTROL SYSTEM	FIG. 87
ELECTRIC PARTS	FIG. 90
GASKET KIT	FIG. 94

# CYLINDER HEAD

FIG. 01



# CYLINDER HEAD

A-C3030/B-C3035/C-C3040

**FIG. 01**

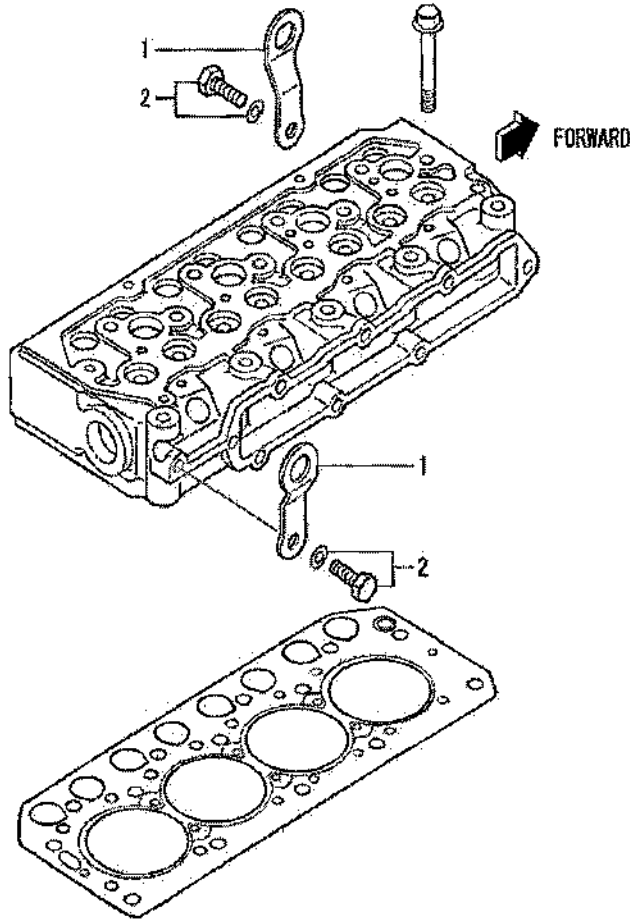
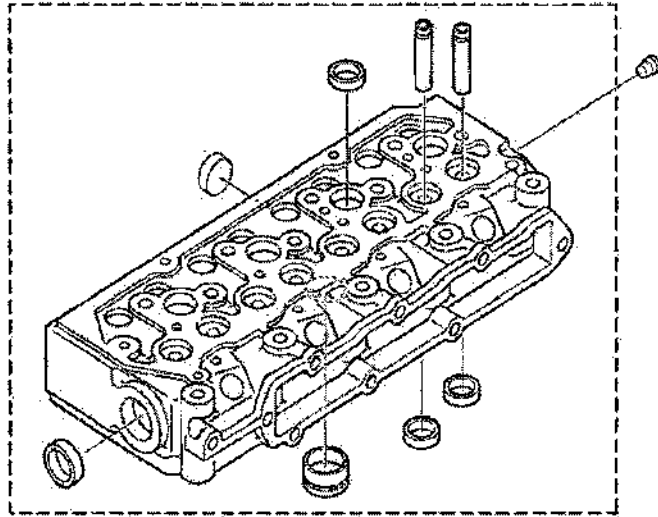
NO.	PART NO.	PART NAME & DESCRIPTION	QTY			APP.NO	REM.
			A	B	C		
1	31A01-21062	HEAD ASSY, CYLINDER	1	1	*		
	31A01-51042	HEAD ASSY, CYLINDER	*	*	1		
2	*	CYL. HEAD ASSY	1	1	1		
3	MD000245	PLUG-MD000245-MAM	1	1	1		40055402
4	MF665538	CAP, SEALING	7	7	7		
5	*	SEAT, INLET VALVE	4	4	4		
6	*	SEAT, EXHAUST EXHAUST	4	4	4		
7	31A01-02500	GUIDE, EXHAUST VALVE	4	4	4		
8	31A01-02600	GUIDE, INLET VALVE	4	4	4		
9	*	HEAD, CYLINDER	1	1	1		
10	31A03-01101	JET, COMBUSTION	4	4	*		
	31A03-01500	JET, COMBUSTION	*	*	4		
11	MS861140	PLUG, TAPERED	1	1	1		
12	31A01-11101	BOLT, CYLINDER HEAD	14	14	14		
13	31A01-33300	GASKET, CYLINDER HEAD	1	1	1		

07-06-25

01

# LIFTING EYE

FIG. 01-02



# LIFTING EYE

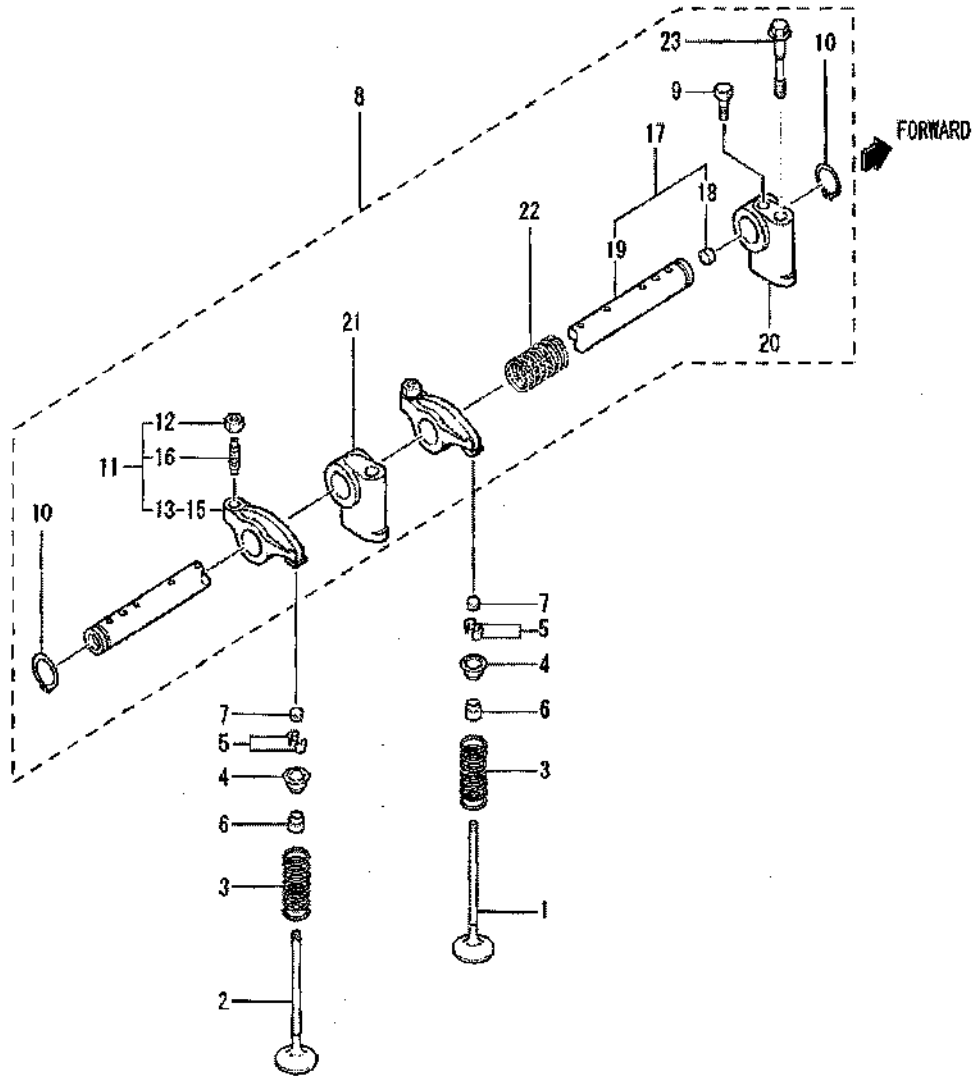
A-C3030/B-C3035/C-C3040

FIG. 01-02

NO.	PART NO.	PART NAME & DESCRIPTION	QTY			APP.NO	REM.
			A	B	C		
1	MM408470	HANGER, ENGINE	2	2	2		
2	MF241280	BOLT, W/WASHER	2	2	2		

# VALVE MECHANISM

FIG. 04-01



# VALVE MECHANISM

A-C3030/B-C3035/C-C3040

**FIG. 04-01**

NO.	PART NO.	PART NAME & DESCRIPTION	QTY			APP. NO	REM.
			A	B	C		
1	31A04-40100	VALVE, INLET	4	4	4		
2	31A04-30200	VALVE, EXHAUST	4	4	4		
3	31A04-01301	SPRING, VALVE	8	8	8		
4	MM433-30601	RETAINER, VALVE	8	8	8		
5	MD016483	VALVE, LOCK	16	16	16		
6	MD115472	SEGMENT-MD115472-MAM	8	8	8		40055399
7	31A04-00700	CAP, VALVE	8	8	8		
8	*	ROCKER & SHAFT ASSY	1	1	1		
9	F1035-05010	BOLT	1	1	1		
10	MF522010	RING, SNAP	2	2	2		
11	31A04-11024	ROCKER ASSY	8	8	8		
12	F2325-08000	NUT, JAM	8	8	8		
13	*	ROCKER ARM ASSY	8	8	8		
14	*	TIP, ROCKER ARM	8	8	8		
15	*	ROCKER ARM	8	8	8		
16	32A04-02401	SCREW, ROCKER	8	8	8		
17	31A04-21010	SHAFT ASSY, ROCKER	1	1	1		
18	MD021204	CAP, SEALING	2	2	2		
19	*	SHAFT, ROCKER	1	1	1		
20	31A04-34100	BRACKET, ROCKER SHAFT	1	1	1		
21	31A04-34300	BRACKET, ROCKER SHAFT	3	3	3		
22	32C04-04500	SPRING, ROCKER	3	3	3		
23	32C04-06100	BOLT, ROCKER BRACKET	4	4	4		

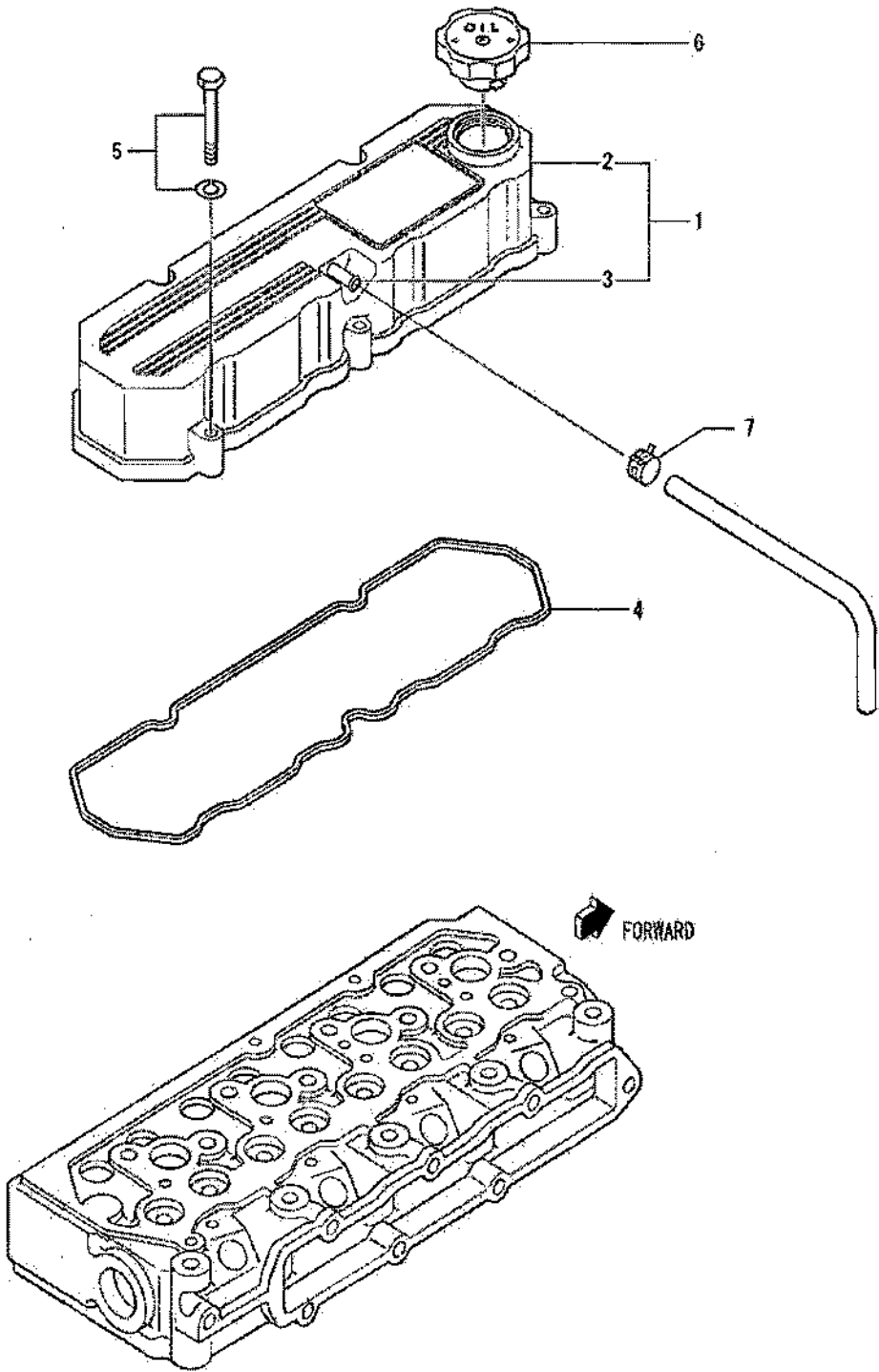
07-06-25

01



# ROCKER COVER

FIG. 04-02



# ROCKER COVER

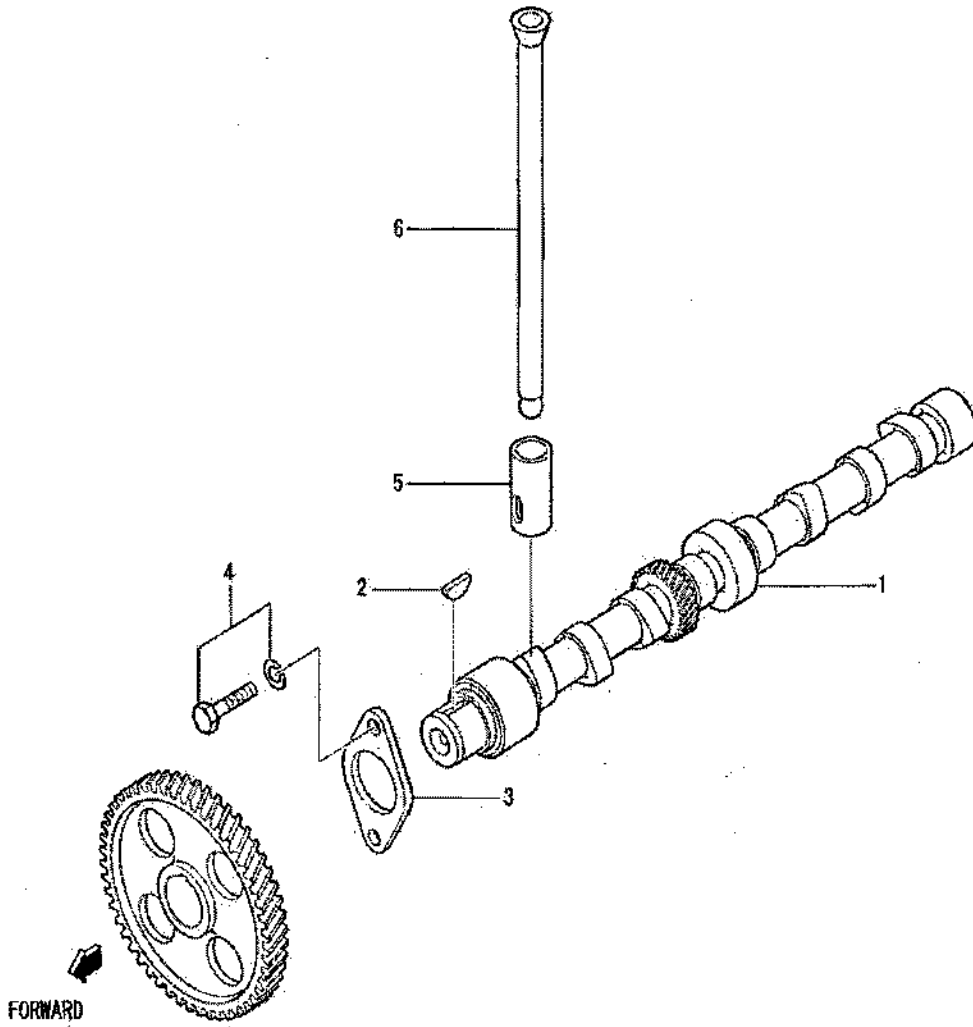
A-C3030/B-C3035/C-C3040

**FIG. 04-02**

NO.	PART NO.	PART NAME & DESCRIPTION	QTY			APP.NO	REM.
			A	B	C		
1	31A04-20032	COVER	1	1	1		
2	*	COVER, ROCKER	1	1	1		
3	*	PIPE, BREATHER	1	1	1		
4	31A04-33202	GASKET, ROCKER	1	1	1		
5	MF241261	BOLT, WWASHER	5	5	5		
6	MD008784	CAP, OIL FILLER	1	1	1		40055751
7	MS470059	CLIP	1	1	1		

# CAMSHAFT

FIG. 05



07-06-25

01

# CAMSHAFT

A-C3030/B-C3035/C-C3040

**FIG. 05**

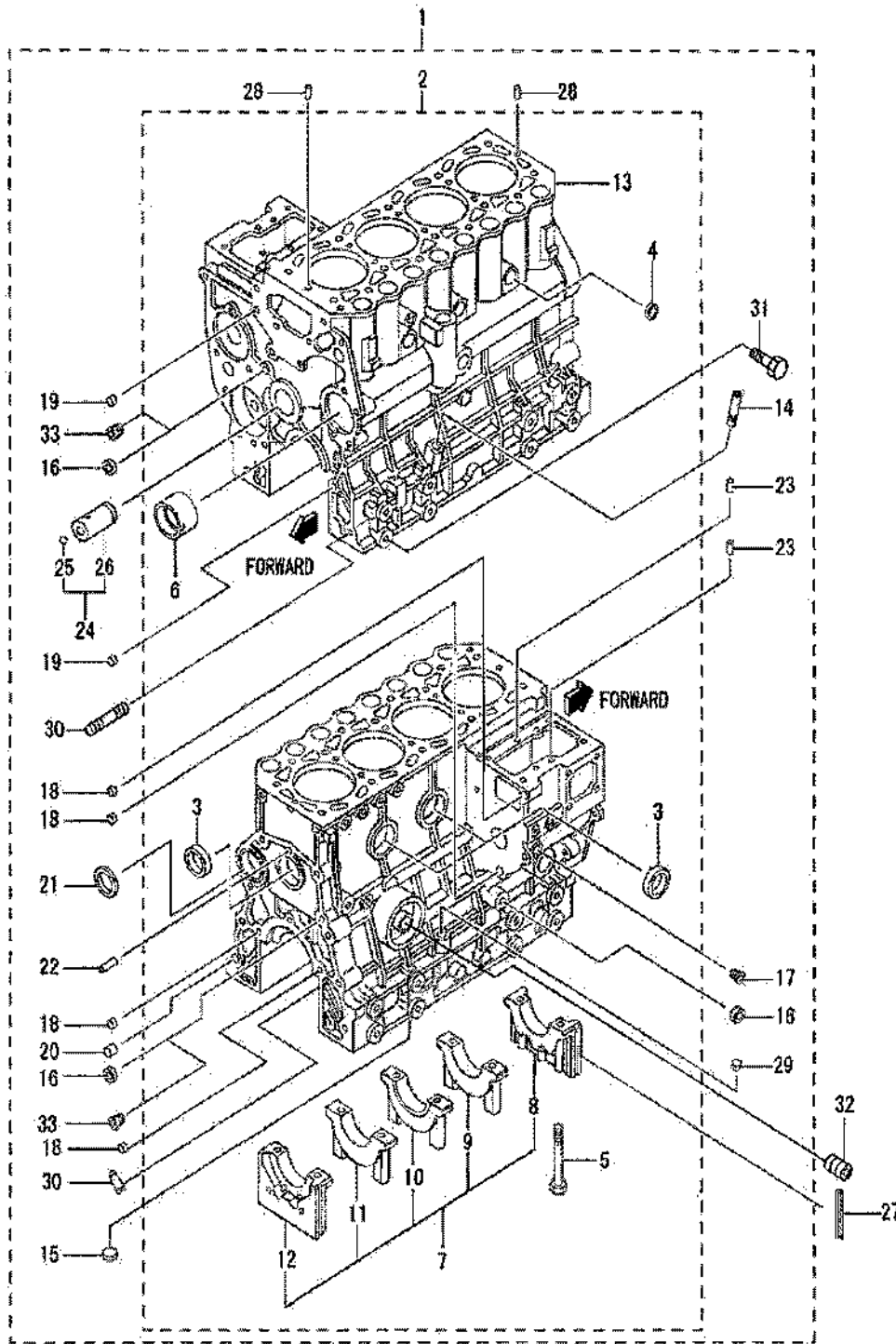
NO.	PART NO.	PART NAME & DESCRIPTION	QTY			APP.NO	REM.
			A	B	C		
1	31A05-00202	CAMSHAFT	1	1	1		
2	MF476215	KEYWOODRUFF-MF476215-MH	1	1	1		40052815
3	30405-31403	PLATE, THRUST	1	1	1		
4	MF240051	BOLT, W/WASHER	2	2	2		
5	31A05-00300	TAPPET	8	8	8		
6	31A05-01300	ROD, PUSH	8	8	8		

07-06-25

01

# CRANKCASE

FIG. 07-00-01



# CRANKCASE

A-C3030/B-C3035/C-C3040

**FIG. 07-00-01**

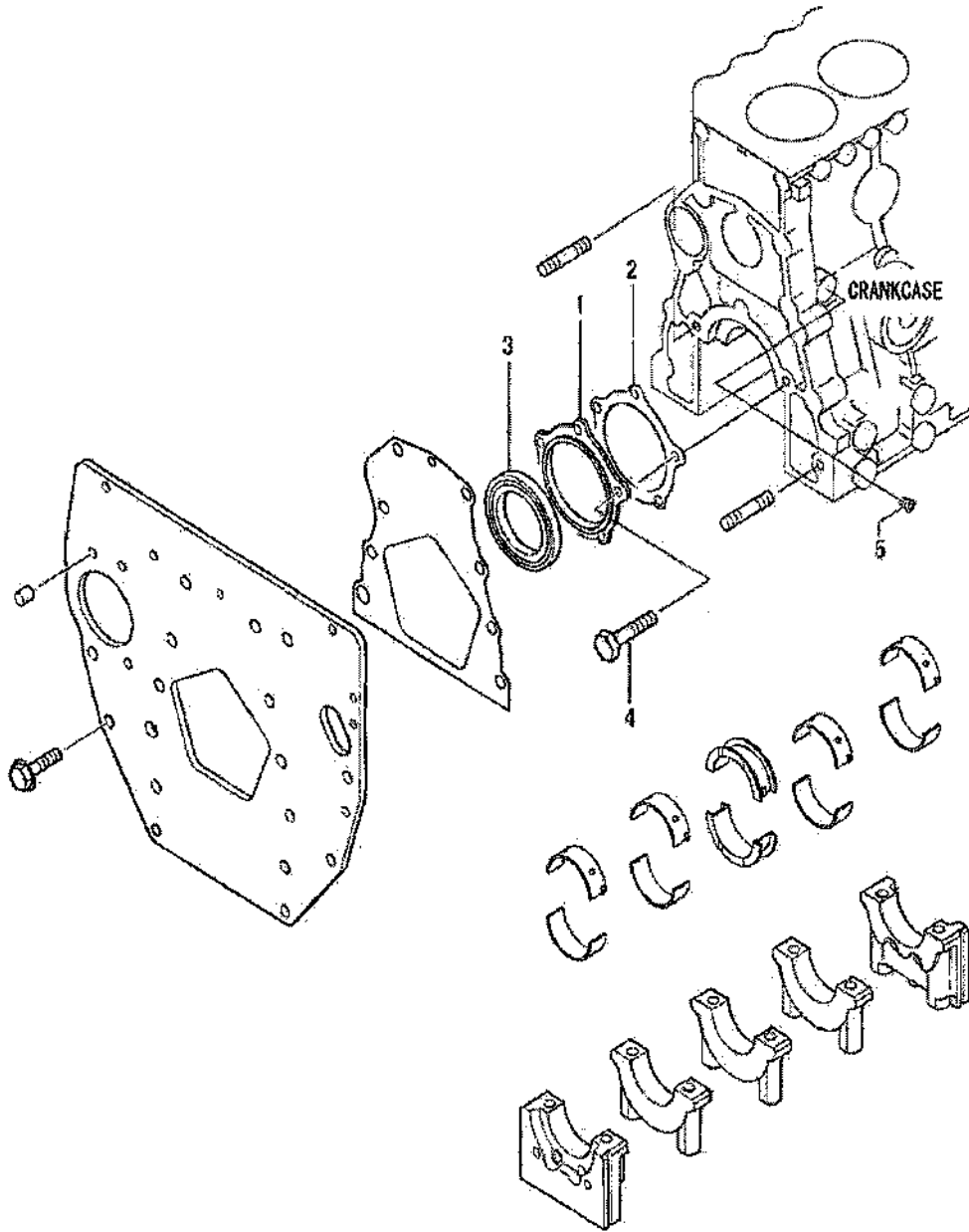
NO.	PART NO.	PART NAME & DESCRIPTION	QTY			APP.NO	REM.
			A	B	C		
1	31A07-72010	BLOCK ASSY, CYLINDER	1	1	*		
	31A07-16010	BLOCK ASSY, CYLINDER	*	*	1		
2	*	BLOCK SUB ASSY, CYL	1	1	1		
3	04826-22000	CAP, SEALING	3	3	3		
4	04826-23500	CAP, SEALING	3	3	3		
5	31A07-00801	BOLT, BEARING, CAP	10	10	10		
6	31A07-03100	BUSH, CAMSHAFT	1	1	1		
7	*	CAP SET, BEARING	1	1	1		
8	*	CAP, BEARING FRONT	1	1	1		
9	*	CAP, BEARING NO.2	1	1	1		
10	*	CAP, BEARING NO.3	1	1	1		
11	*	CAP, BEARING NO.4	1	1	1		
12	*	CAP, BEARING REAR	1	1	1		
13	*	BLOCK, CYLINDER	1	1	1		
14	MM430613	GUIDE, OIL LEVEL GAUGE	1	1	1		
15	MF665532	CAP, SEALING	1	1	1		
16	MF665533	CAP, SEALING	1	1	1		
17	MS661140	PLUG, TAPERED	1	1	1		
18	MS471104	BUSHING, KNOCK	4	4	4		
19	MS471105	BUSHING, KNOCK	2	2	2		
20	MS471110	BUSHING, KNOCK	1	1	1		
21	MF665511	PLUG, EXPANSION	1	1	1		
22	MF472404	PIN, DOWEL	1	1	1		
23	MM409645	PIN, DOWEL	2	2	2		
24	31A23-00051	SHAFT ASSY, IDLER	1	1	1		
25	*	BALL, STEEL	1	1	1		
26	*	SHAFT, IDLER	1	1	1		
27	31A07-12200	SEAL, SIDE	4	4	4		
28	F2846-05000	PIN, DOWEL	2	2	2		
29	MD024256	PLUG, TAPER	1	1	1		
30	31A07-02500	STUD	2	2	2		
31	MF100110	BOLT	4	4	4		
32	30L07-00700	SHAFT, OIL FILTER	1	1	1		
33	04827-90130	PLUG, TAPERED	2	2	2		

07-06-25

01

# CRANKCASE

FIG. 07-00-02



# CRANKCASE

A-C3030/B-C3035/C-C3040

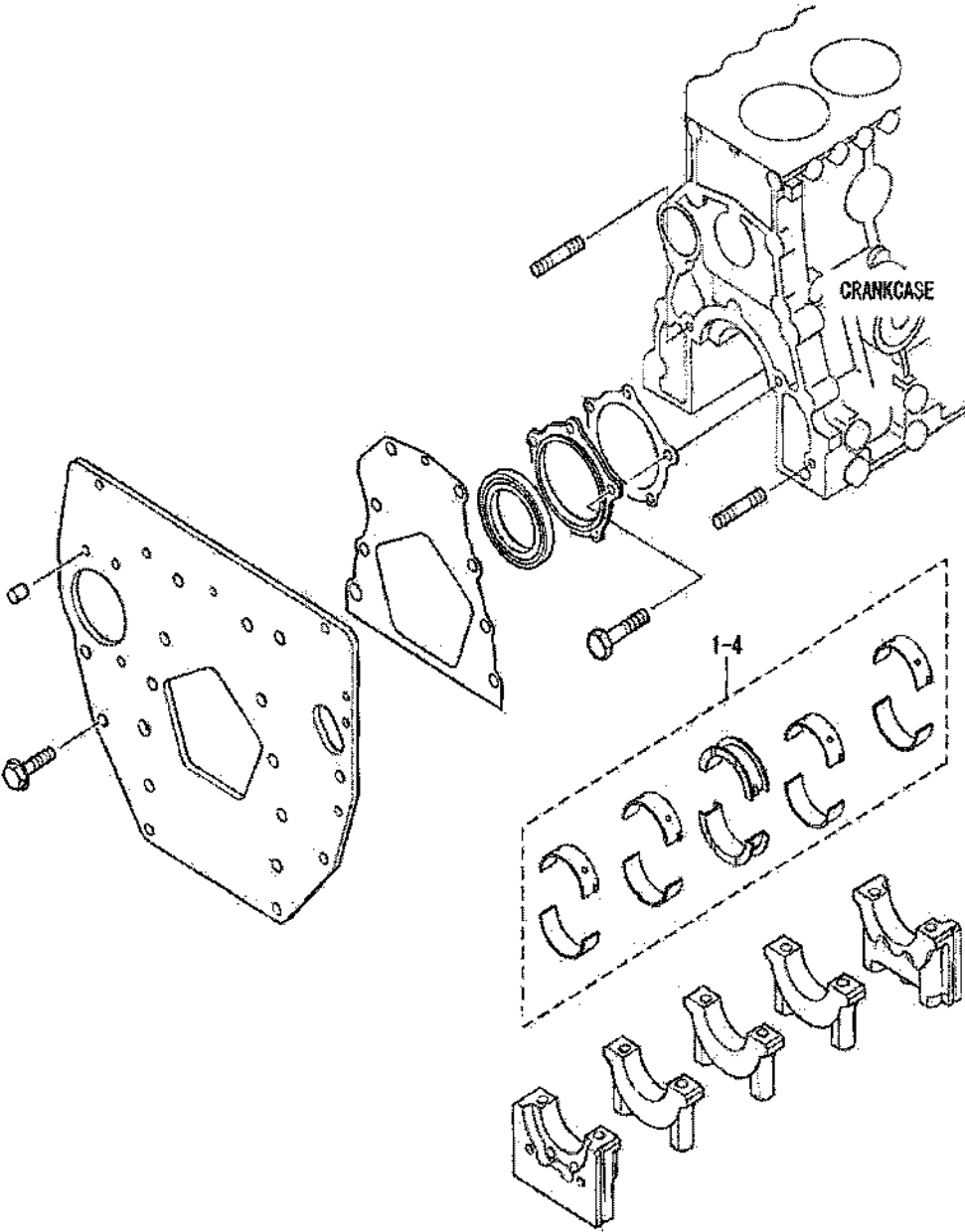
## FIG. 07-00-02

NO.	PART NO.	PART NAME & DESCRIPTION	QTY			APP.NO	REM.
			A	B	C		
1	31A07-11601	CASE, OIL SEAL	1	1	1		
2	31A07-11701	GASKET, OIL SEAL CASE	1	1	1		
3	31A07-02300	SEAL, OIL	1	1	1		
4	MF100055	BOLT	5	5	5		
5	MD000269	PLUG, TAPERED	1	1	1		



# MAIN BEARING

FIG. 09



# MAIN BEARING

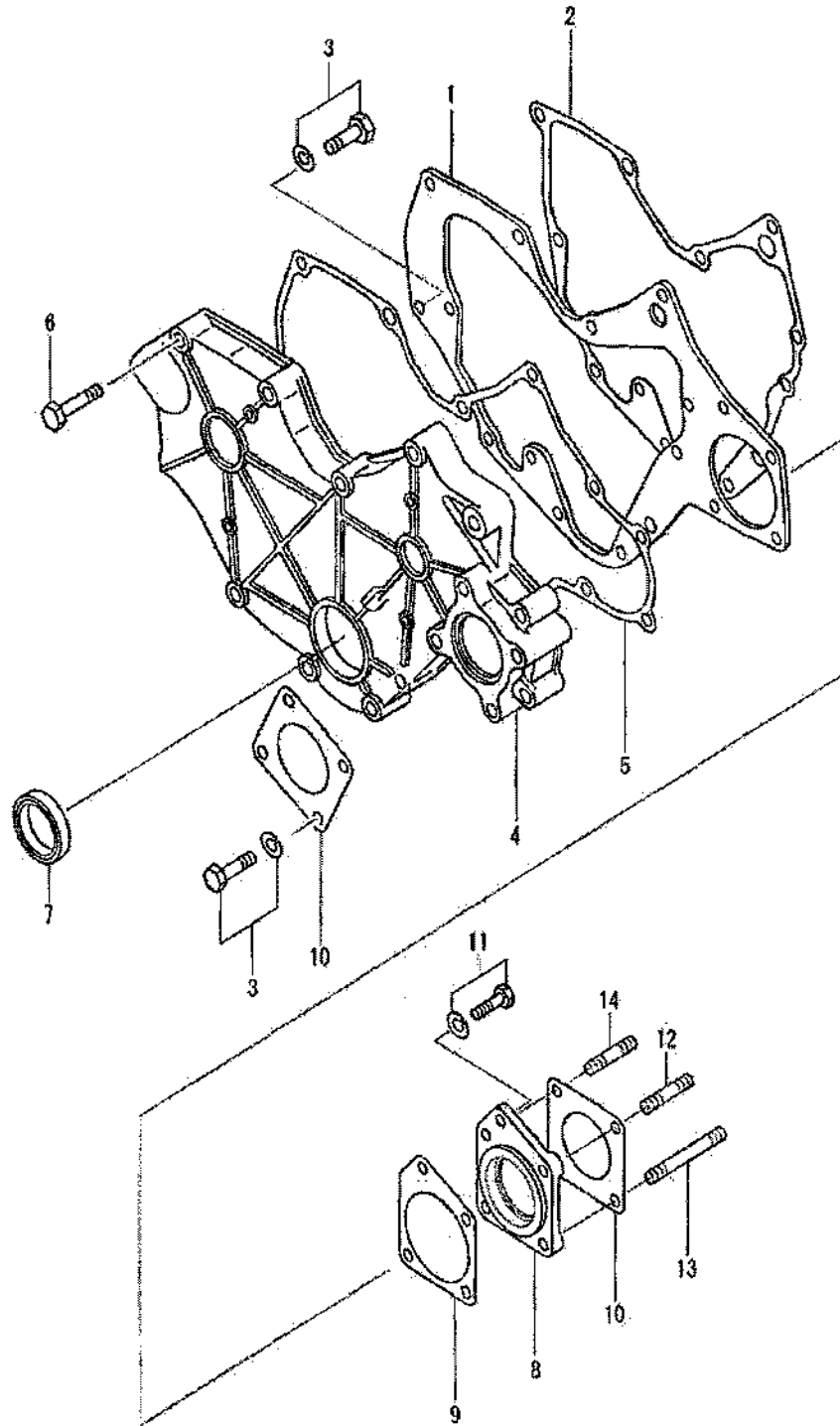
A-C3030/B-C3035/C-C3040

**FIG. 09**

NO.	PART NO.	PART NAME & DESCRIPTION		QTY			APP.NO	REM.
				A	B	C		
1	MM437313	BEARING SET, MAIN	STD	1	1	1		
2	MM437884	BEARING SET, MAIN	U.S 0.25	1	1	1		
3	MM437885	BEARING SET, MAIN	U.S 0.50	1	1	1		
4	MM437886	BEARING SET, MAIN	U.S 0.75	1	1	1		

# TIMING GEAR CASE

FIG. 11



# TIMING GEAR CASE

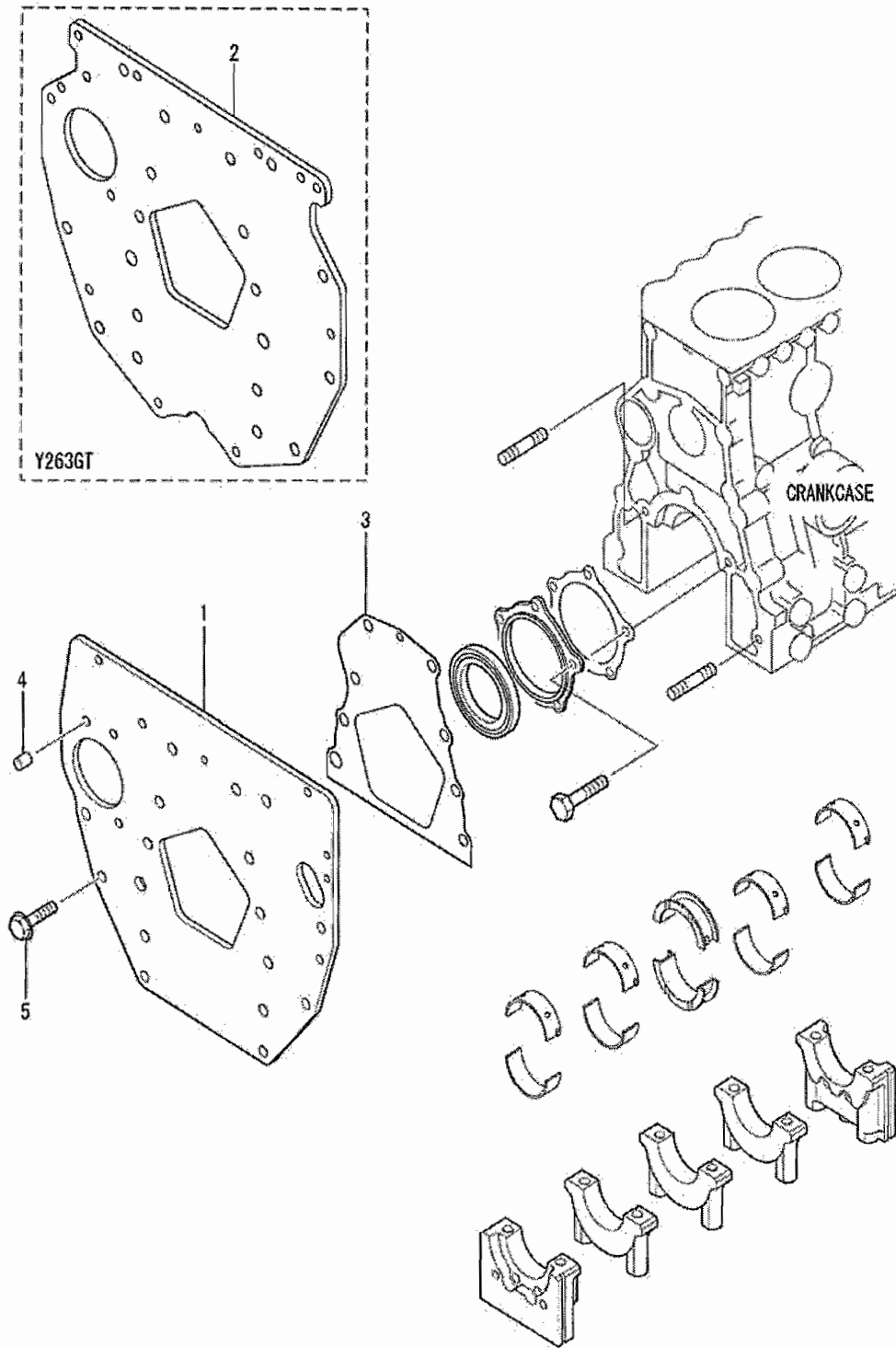
A-C3030/B-C3035/C-C3040

FIG. 11

NO.	PART NO.	PART NAME & DESCRIPTION	QTY			APP.NO	REM.
			A	B	C		
1	31A11-02100	PLATE, FRONT	1	1	1		
2	31A07-11901	GASKET, FRONT PLATE	1	1	1		
3	MF240051	BOLT, WWASHER	5	5	5		
4	31A11-00801	CASE, GEAR PTO	1	1	1		
5	31A11-11101	GASKET, GEAR	1	1	1		
6	MF100064	BOLT	8	8	8		
7	MD008762	SEAL.OIL-MD008762-MHI	1	1	1		40055749
8	31A11-05101	HOUSING, GEAR	1	1	1		
9	31A11-05201	GASKET, HOUSING	1	1	1		
10	30A11-00100	GASKET, O/PUMP COVER	2	2	2		
11	MF241257	BOLT, WWASHER	1	1	1		
12	MF401427	STUD(8X25)	1	1	1		
13	MS401435	STUD(8X45)	1	1	1		
14	MF401426	STUD(8X22)	2	2	2		

# FLYWHEEL HOUSING

FIG. 12



# FLYWHEEL HOUSING

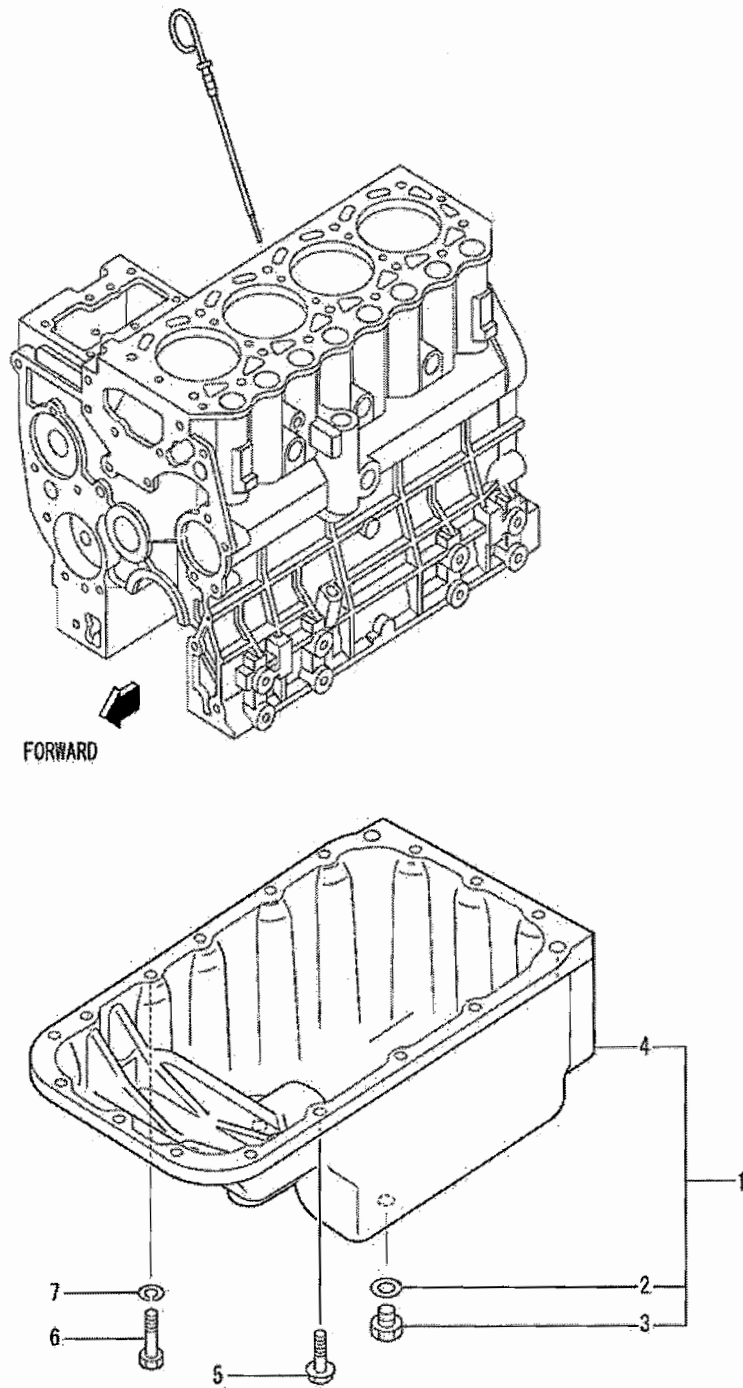
A-C3030/B-C3035/C-C3040

**FIG. 12**

NO.	PART NO.	PART NAME & DESCRIPTION	QTY			APP.NO	REM.
			A	B	C		
1	31A07-04501	PLATE, REAR	1	1	*		
2	31A07-25300	PLATE, REAR	*	*	1		
3	31A07-02401	GASKET, REAR	1	1	1		
4	MM408245	PIN, KNOCK	2	2	2		
5	31A08-04102	BOLT, FLANGE	10	10	10		

# OIL PAN & ENGINE SUPPORT

FIG. 13



# OIL PAN & ENGINE SUPPORT

A-C3030/B-C3035/C-C3040

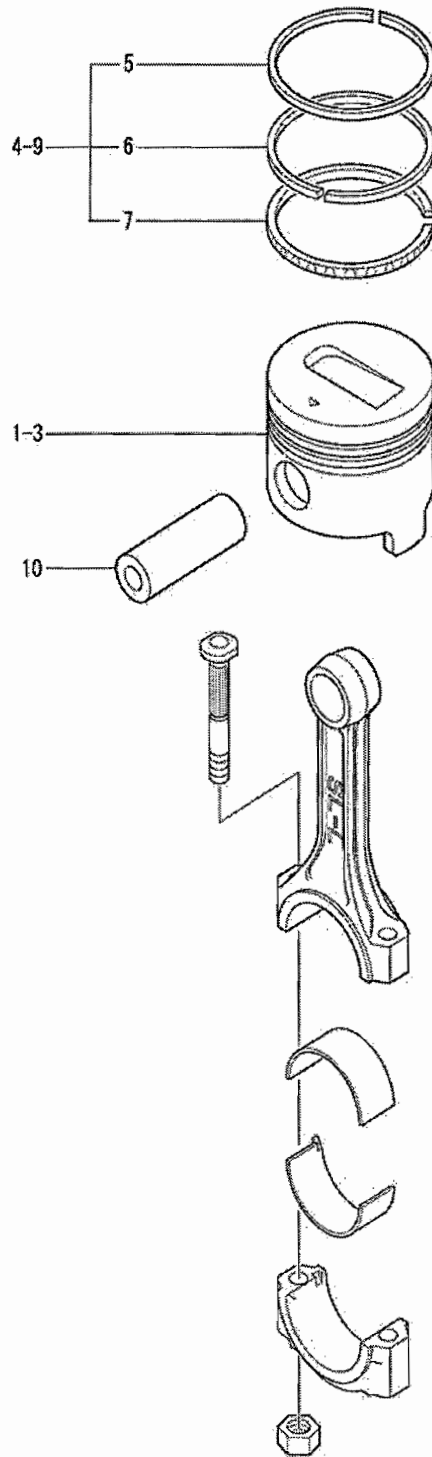
**FIG. 13**

NO.	PART NO.	PART NAME & DESCRIPTION	QTY			APP.NO	REM.
			A	B	C		
1	31A13-02020	PAN	1	1	1		
2	MF660065	GASKET, OIL DRAIN	2	2	2		
3	MF665004	PLUG, DRAIN	2	2	2		
4	*	PAN, OIL	1	1	1		
5	30H13-00800	BOLT, FLANGE	16	16	16		
6	F1035-08040	BOLT	1	1	1		
7	F2515-08000	WASHER, SPRING	1	1	1		



# PISTON

FIG. 17



# PISTON

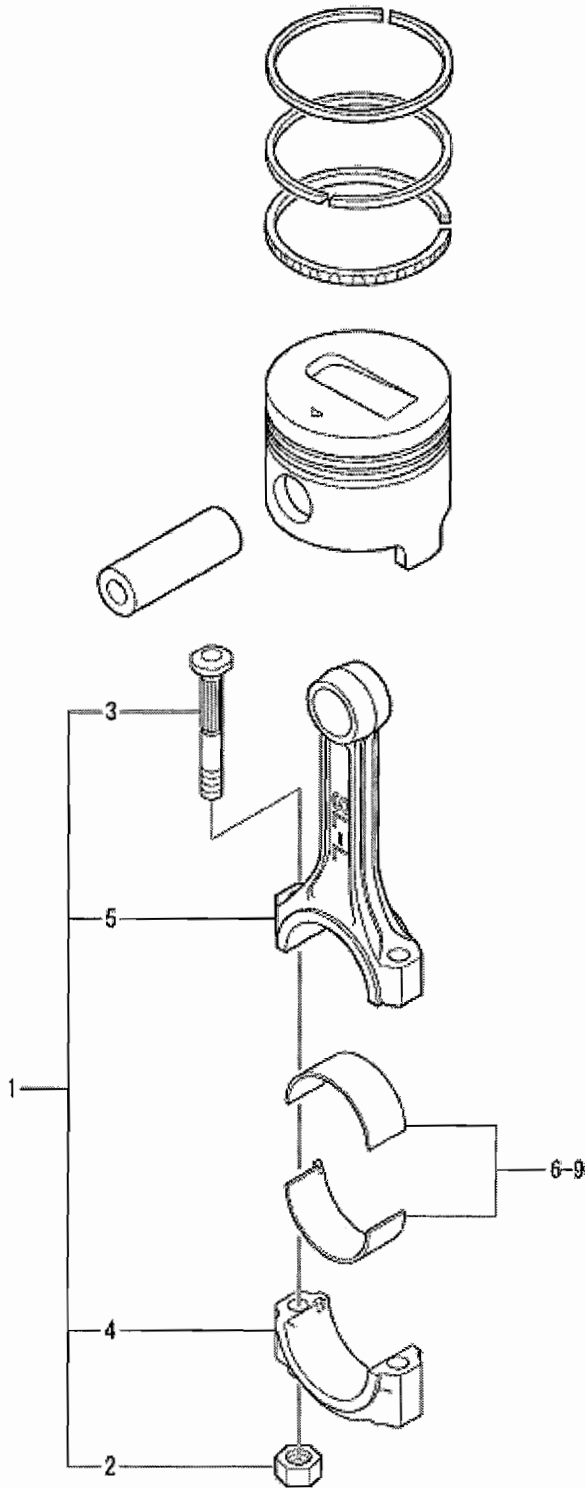
A-C3030/B-C3035/C-C3040

**FIG. 17**

NO.	PART NO.	PART NAME & DESCRIPTION		QTY			APP.NO	REM.
				A	B	C		
1	31A17-11100	PISTON	STD	4	4	4		
2	31A17-11200	PISTON	O.S 0.25	4	4	4		
3	31A17-11300	PISTON	O.S 0.50	4	4	4		
4	MM433921	RING SET, PISTON	STD	4	4	4		
5	*	RING, PISTON NO.1		4	4	4		
6	*	RING, PISTON NO.2		4	4	4		
7	*	RING ASSY, OIL		4	4	4		
8	MM433922	RING SET, PISTON	O.S 0.25	4	4	4		
9	MM433923	RING SET, PISTON	O.S 0.50	4	4	4		
10	31A17-10602	PIN, PISTON		4	4	4		

# CONNECTION ROD

FIG. 19



# CONNECTION ROD

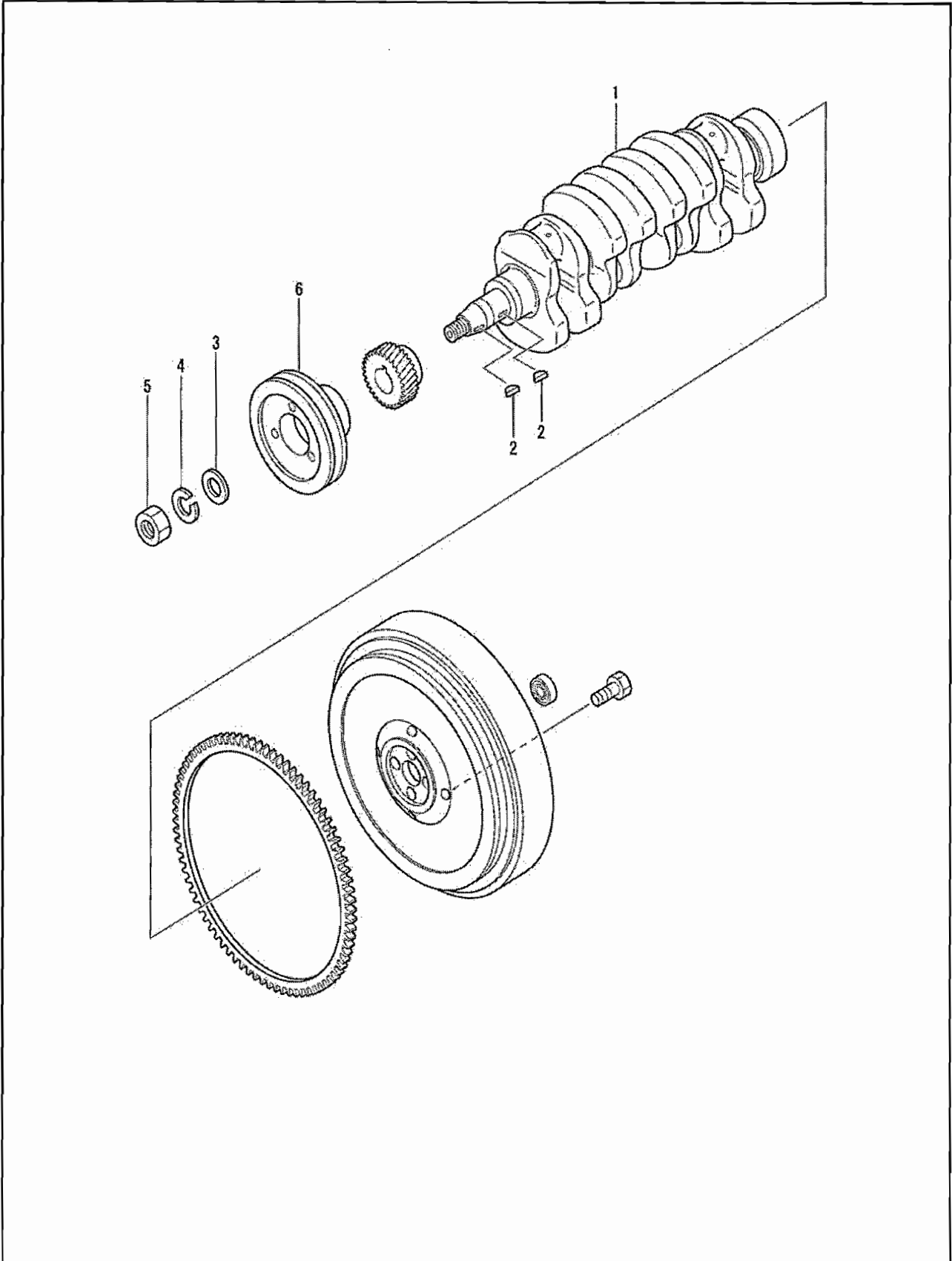
A-C3030/B-C3035/C-C3040

**FIG. 19**

NO.	PART NO.	PART NAME & DESCRIPTION	QTY			APP.NO	REM.
			A	B	C		
1	31A19-10024	ROD ASSY, CONNECTING	4	4	*		
	31A19-01023	ROD ASSY, CONNECTING	*	*	4		
2	MD006704	NUT, CONNECTING ROD	8	8	*		
	MD006704	NUT, CONNECTING ROD	*	*	8		
3	MD021105	CONROD CAP BOLT-MD021105-MHI	8	8	8		40055756
4	*	CAP, CONNECTING ROD	4	4	*		
	*	CAP, CONNECTING ROD	*	*	4		
5	*	ROD, CONNECTING	4	4	*		
	*	ROD, CONNECTING	*	*	4		
6	MM437305	METAL 0.50-MM437305-MAM	STD	4	4	4	40055361
7	30A19-10010	METAL SET, CON-ROD	U.S 0.25	4	4	4	
8	30A19-10020	METAL SET, CON-ROD	U.S 0.50	4	4	4	
9	30A19-10030	METAL SET, CON-ROD	U.S 0.75	4	4	4	

# CRANKSHAFT

FIG. 20



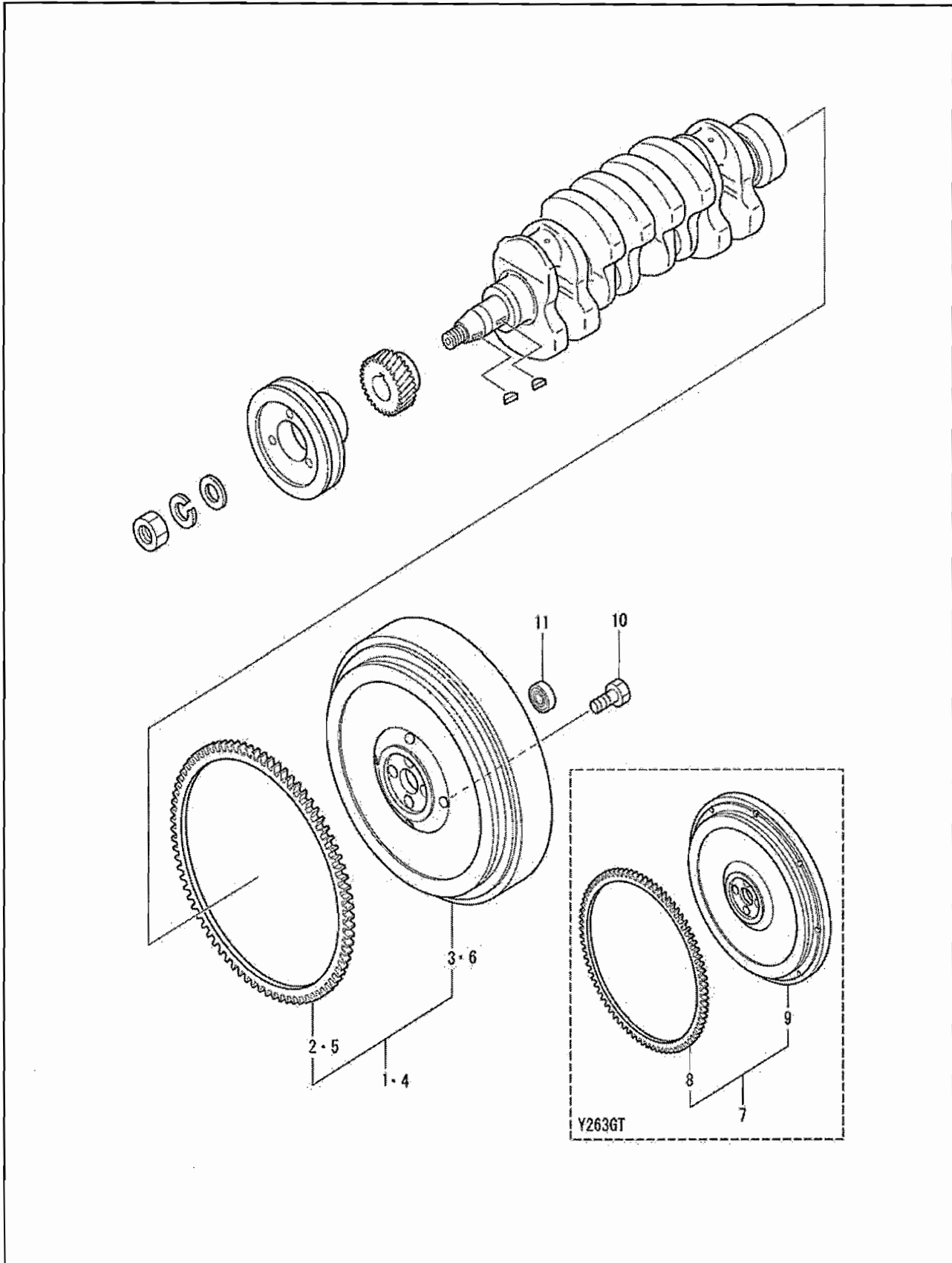
# CRANKSHAFT

**FIG. 20**

NO.	PART NO.	PART NAME & DESCRIPTION	QTY			APP.NO	REM.
			A	B	C		
1	31A20-00103	CRANKSHAFT	1	1	*		
	31A20-00201	CRANKSHAFT	*	*	1		
2	MF476215	KEYWOODRUFF-MF476215-MHI	2	2	2		40052815
3	MF450010	WASHER, PLAIN	1	1	1		
4	MF450410	WASHER, SPRING	1	1	1		
5	MF430126	NUT	1	1	1		
6	31A20-22102	PULLEY, CRANKSHAFT	1	1	1		

# FLYWHEEL

FIG. 21



# FLYWHEEL

A-C3030/B-C3035/C-C3040

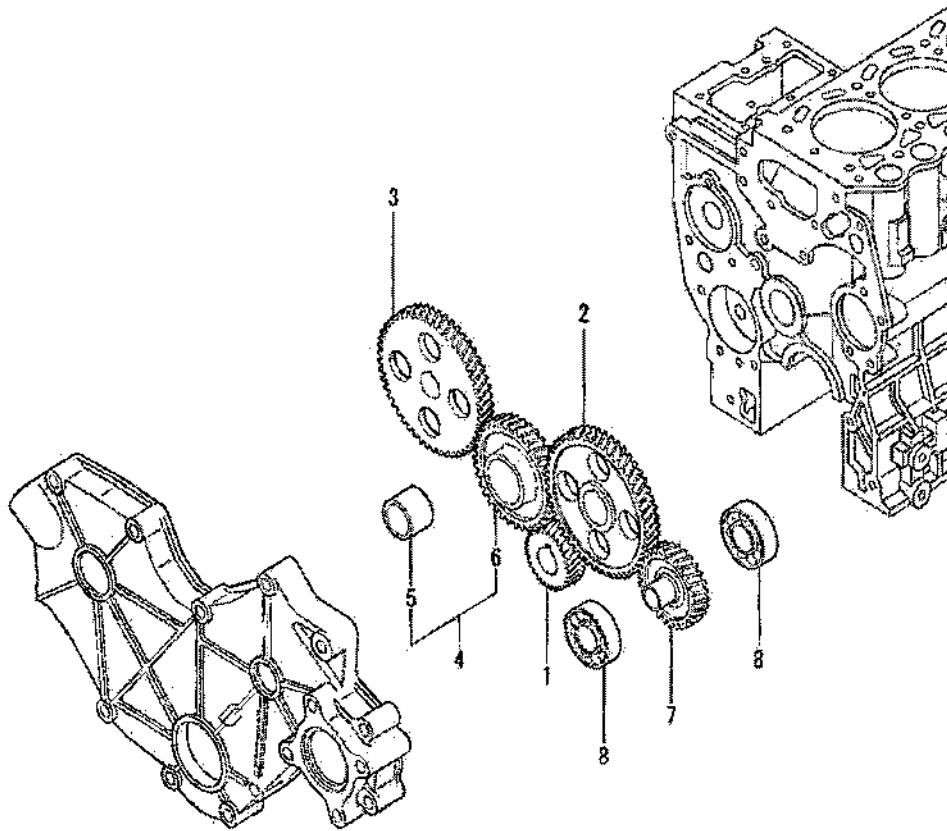
**FIG. 21**

NO.	PART NO.	PART NAME & DESCRIPTION	QTY			APP.NO	REM.
			A	B	C		
1	31A21-01070	FLYWHEEL SUB ASSY	1	1	*		
2	MD024812	GEAR, RING	1	1	*		
3	*	FLYWHEEL	1	1	*		
4	31A21-01070	FLYWHEEL SUB ASSY	*	*	*		
5	MD024812	GEAR, RING	*	*	*		
6	*	FLYWHEEL	*	*	*		
7	31A21-01070	FLYWHEEL SUB ASSY	*	*	1		
8	MD024812	GEAR, RING	*	*	1		
9	*	FLYWHEEL	*	*	1		
10	31A21-03800	BOLT, DRIVE PLATE	4	4	4		
11	MD002613	BEARING, BALL	1	1	1		



# TIMING GEAR

FIG. 23



# TIMING GEAR

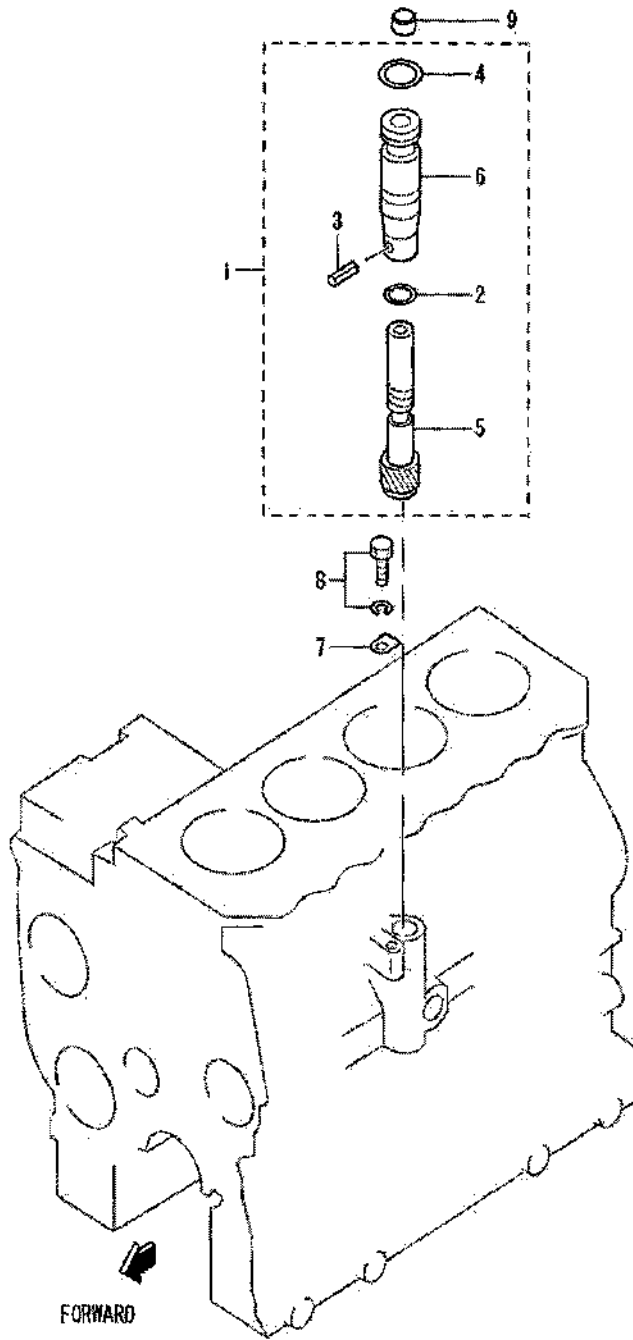
A-C3030/B-C3035/C-C3040

**FIG. 23**

NO.	PART NO.	PART NAME & DESCRIPTION	QTY			APP.NO	REM.
			A	B	C		
1	31A23-01302	GEAR, CRANKSHAFT Z=28	1	1	1		
2	31A23-01406	GEAR, CAMSHAFT Z=56	1	1	1		
3	31A23-00800	GER, INJECTION PUMP Z=56	1	1	1		
4	31A23-01023	GEAR ASSY, IDLER Z=39	1	1	1		
5	*	BUSHING, IDLER GEAR	1	1	1		
6	*	GEAR, IDLER	1	1	1		
7	31A23-01502	GEAR, PRESS OIL PUMP Z=28	1	1	1		
8	MD712517	BEARING-MD712517-MHI	2	2	2		40052807

# TACHO DRIVE

FIG. 27



# TACHO DRIVE

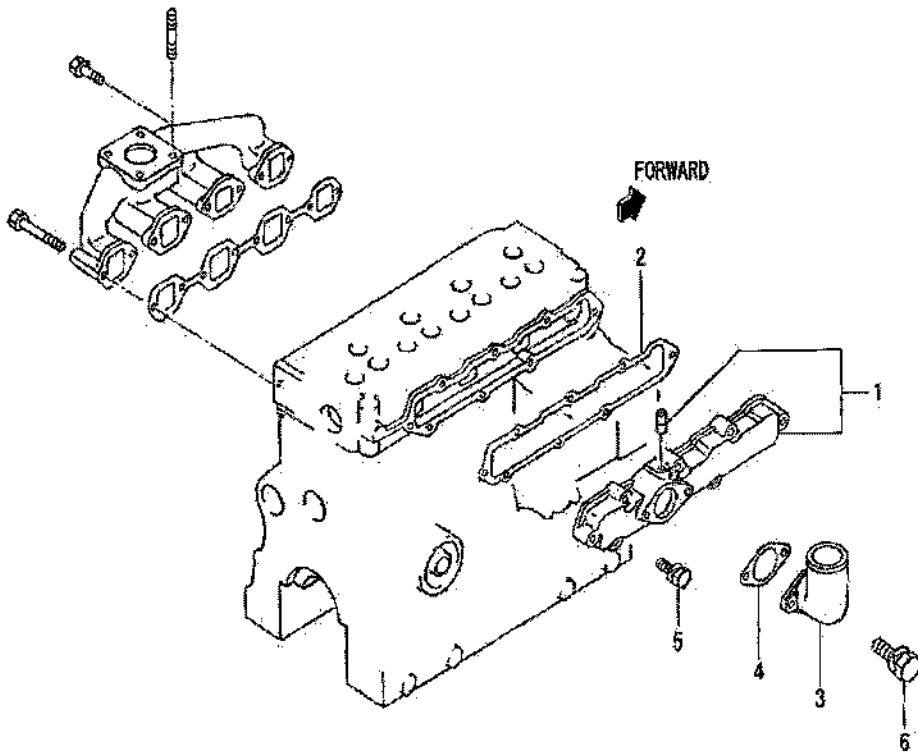
A-C3030/B-C3035/C-C3040

**FIG. 27**

NO.	PART NO.	PART NAME & DESCRIPTION	QTY			APP.NO	REM.
			A	B	C		
1	MM430-59801	DRIVENUNIT-MM430598-MHI	1	1	1		
2	MD701788	O-RING	1	1	1		
3	MF472535	PIN, SPRING	1	1	1		
4	MF520012	O-RING	1	1	1		
5	*	GEAR	1	1	1		
6	MM430-41901	SLEEVE, SPEEDMETER	1	1	1		
7	MD701789	PLATE	1	1	1		
8	MF241223	BOLT, WWASHER	1	1	1		
9	*	PLUG, SHIPPING	1	1	1		

# INLET SYSTEM

FIG. 30



# INLET SYSTEM

A-C3030/B-C3035/C-C3040

FIG. 30

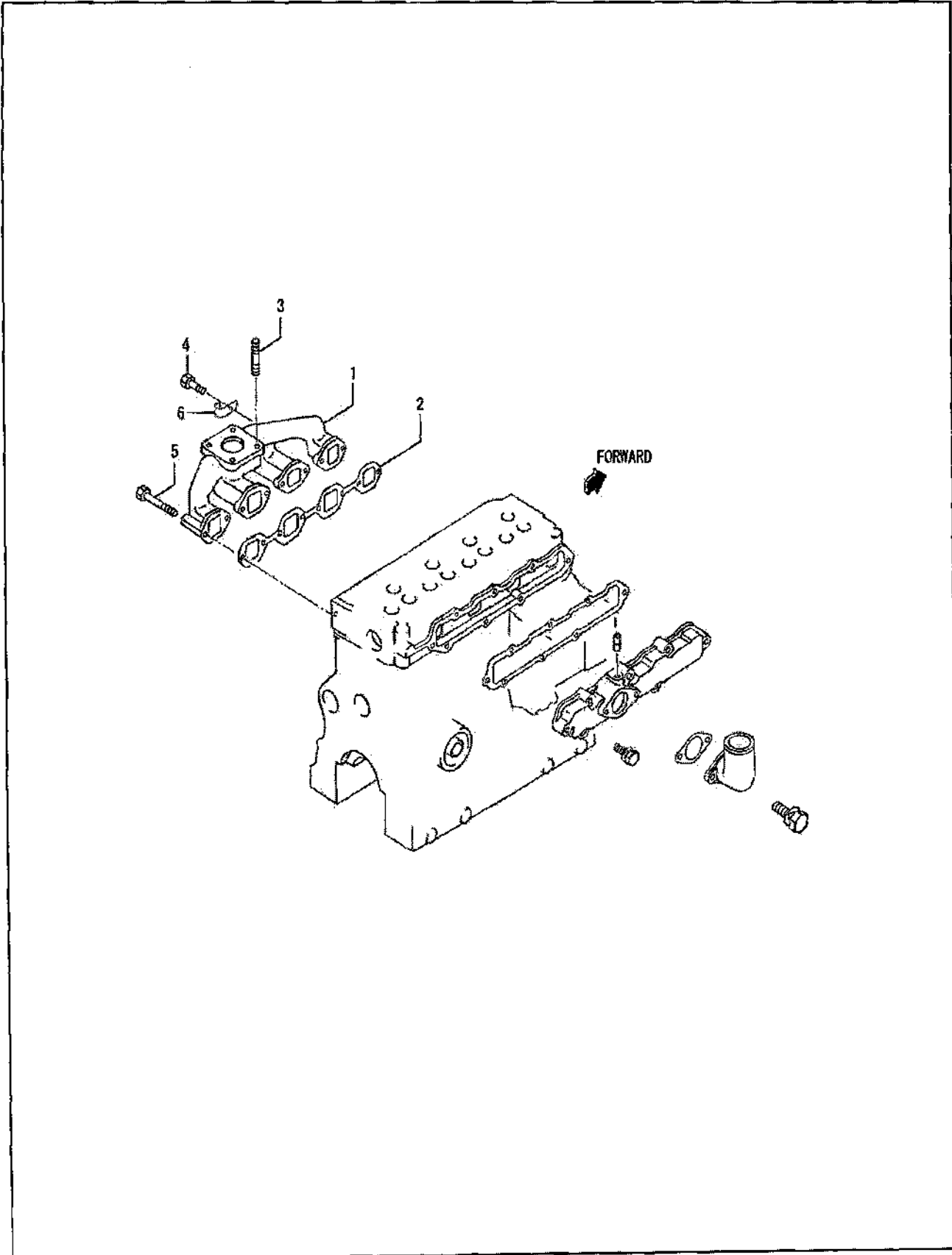
NO.	PART NO.	PART NAME & DESCRIPTION	QTY			APP.NO	REM.
			A	B	C		
1	31A30-20011	COVER ASSY, INLET	1	1	1		
2	31A30-10902	GASKET, INLET COVER	1	1	1		
3	31A30-00300	PIPE, INLET	1	1	1		
4	31A30-00801	GASKET, INLET PIPE	1	1	1		
5	MF241259	BOLT, W/WASHER	8	8	8		
6	MF241253	BOLT, W/WASHER	2	2	2		

07-06-25

01

# EXHAUST SYSTEM

FIG. 32



# EXHAUST SYSTEM

A-C3030/B-C3035/C-C3040

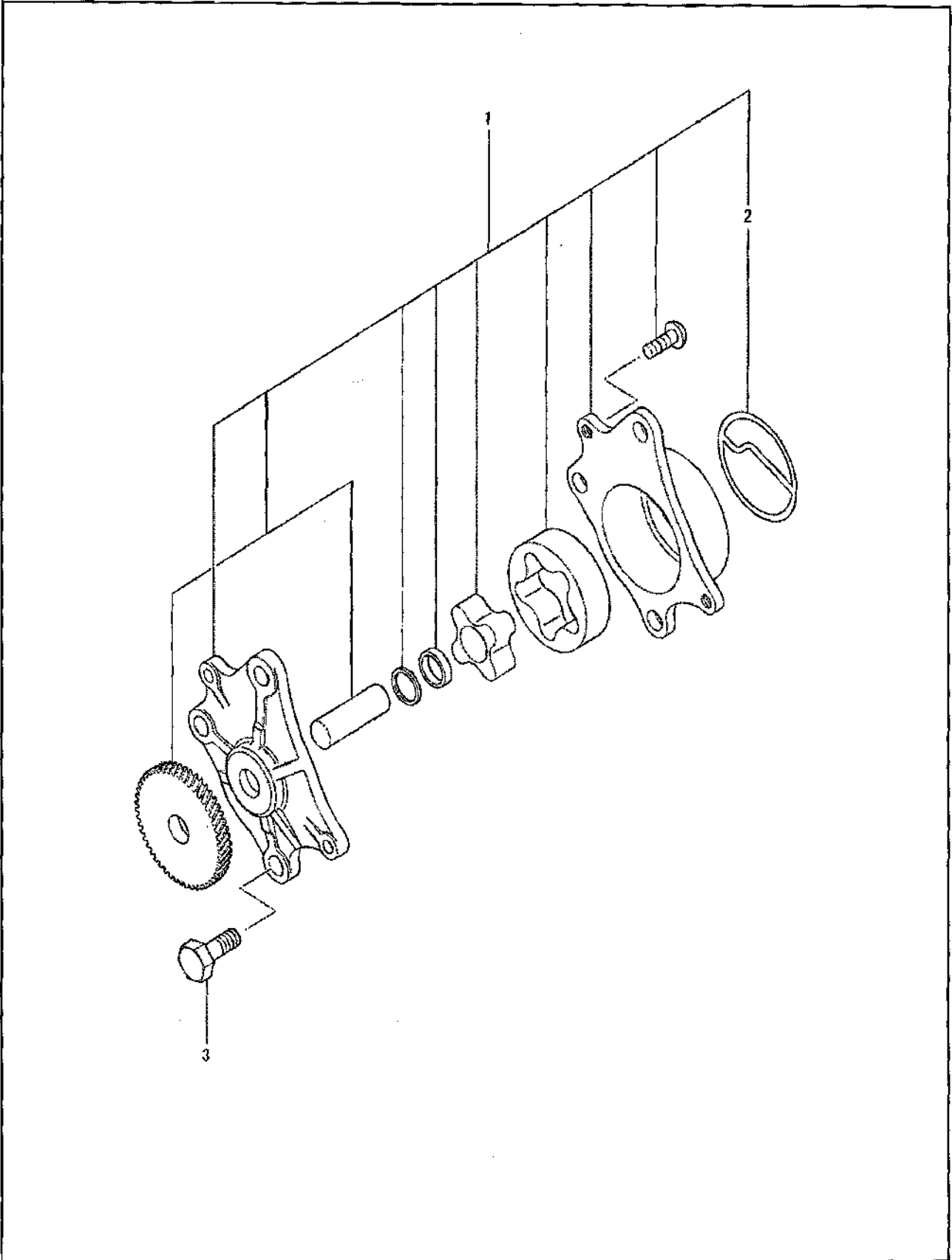
FIG. 32

NO.	PART NO.	PART NAME & DESCRIPTION	QTY			APP. NO	REM.
			A	B	C		
1	31A32-00402	MANIFOLD ASSY, EXH	1	1	1		
2	31A32-01200	GASKET, EXHAUST	1	1	1		
3	MF401936	STUD	4	4	4		
4	F1035-08020	BOLT	6	6	6		
5	MF101266	BOLT	2	2	2		
6	31A32-02100	CLAMP	1	1	1		



# OIL PUMP

FIG. 35



# OIL PUMP

A-C3030/B-C3035/C-C3040

FIG. 35

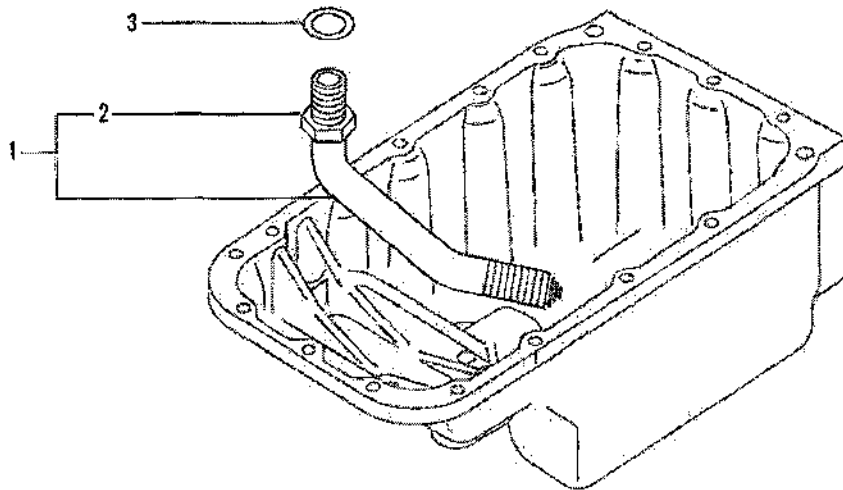
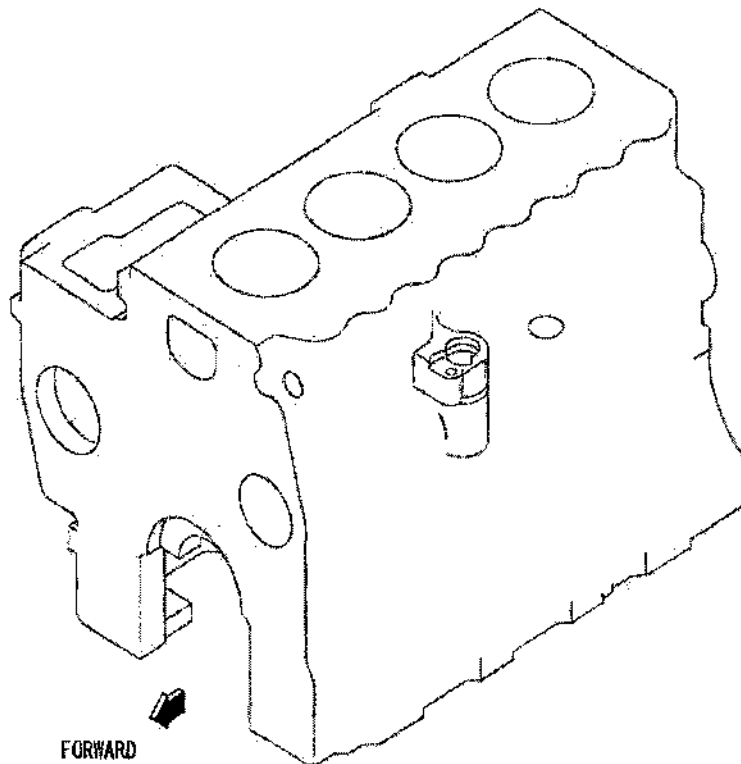
NO.	PART NO.	PART NAME & DESCRIPTION	QTY			APP.NO	REM.
			A	B	C		
1	31A35-30010	PUMP ASSY, OIL	1	1	1		
2	31A35-02300	PACKING, BODY	1	1	1		
3	F1035-08022	BOLT	3	3	3		

07-06-25

01

# OIL STRAINER

FIG. 35-02



# OIL STRAINER

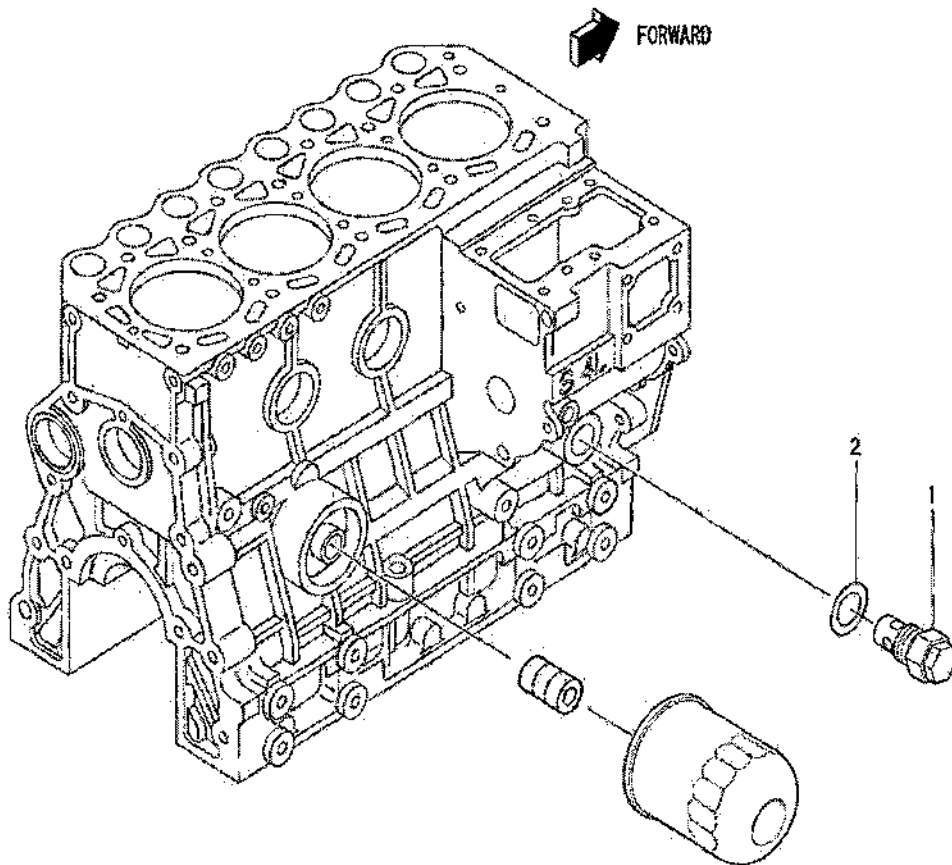
A-C3030/B-C3035/C-C3040

FIG. 35-02

NO.	PART NO.	PART NAME & DESCRIPTION	QTY			APP.NO	REM.
			A	B	C		
1	31A35-05050	STRAINER ASSY	1	1	1		
2	MF430729	NUT, JAM	1	1	1		
3	MF660036	GASKET	1	1	1		

# OIL SYSTEM

FIG. 36



# OIL SYSTEM

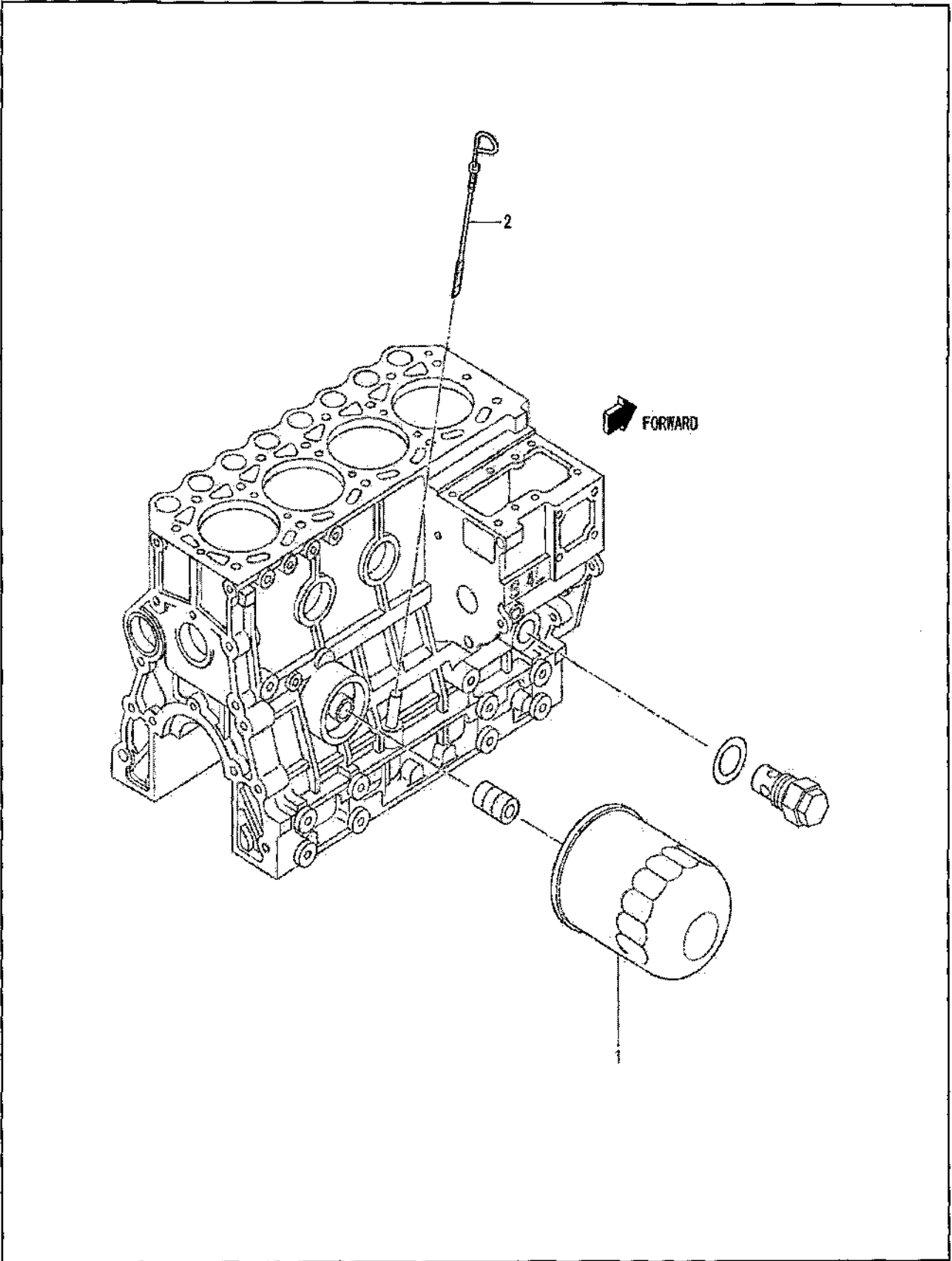
A-C3030/B-C3035/C-C3040

**FIG. 36**

NO.	PART NO.	PART NAME & DESCRIPTION	QTY			APP.NO	REM.
			A	B	C		
1	32A36-05012	VALVE ASSY, RELIEF	1	1	1		
2	34340-00700	GASKET	1	1	1		

# OIL FILTER & GAUGE

FIG. 40



# OIL FILTER & GAUGE

A-C3030/B-C3035/C-C3040

**FIG. 40**

NO.	PART NO.	PART NAME & DESCRIPTION	QTY			APP. NO	REM.
			A	B	C		
1	31A40-02100	OILFILTER-MD134953-MHI	1	1	1		
2	31A42-10100	GAGE, OIL LEVEL	1	1	1		

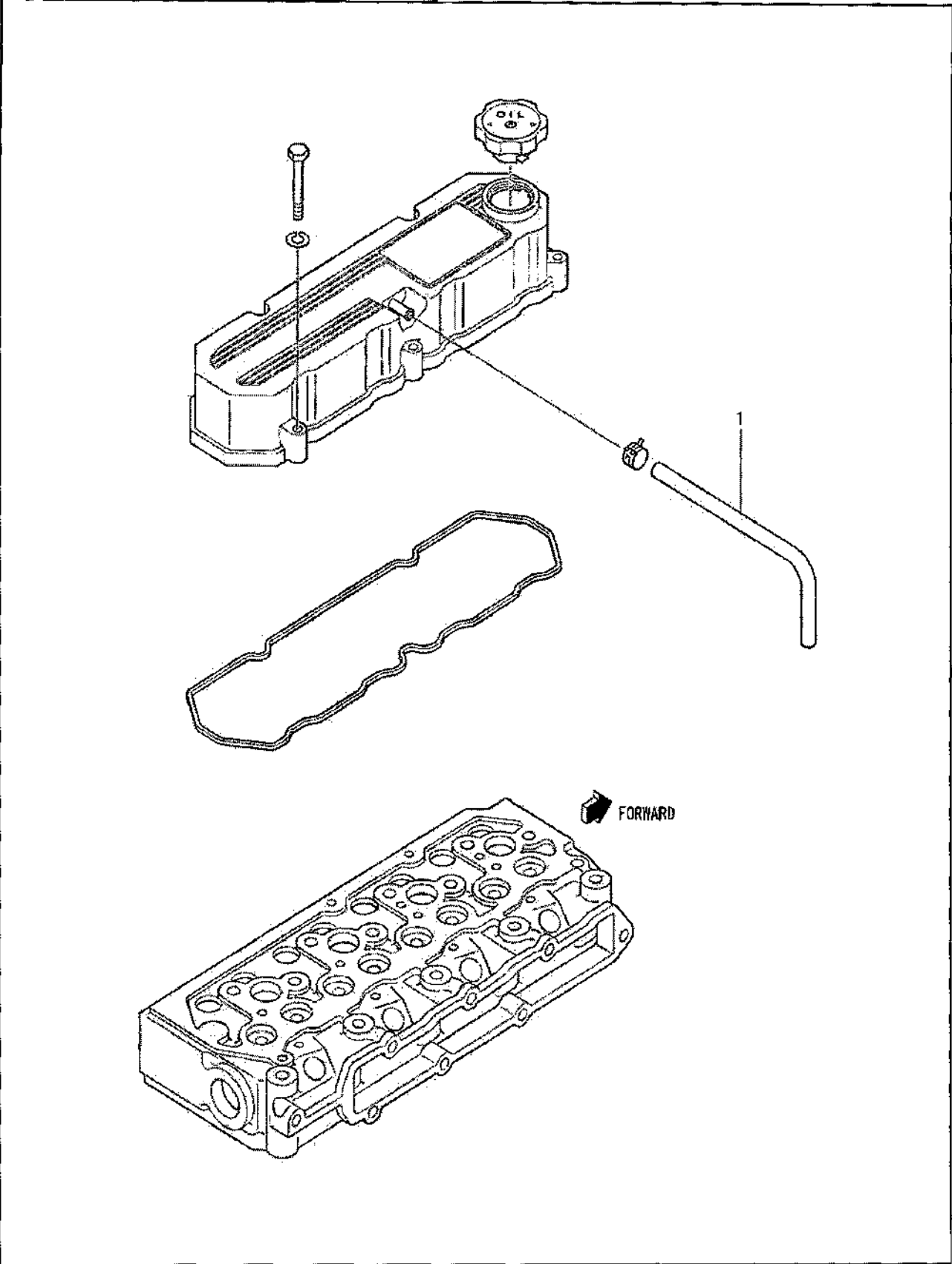
07-06-25

01



# BREATHER

FIG. 43



# BREATHER

A-C3030/B-C3035/C-C3040

**FIG. 43**

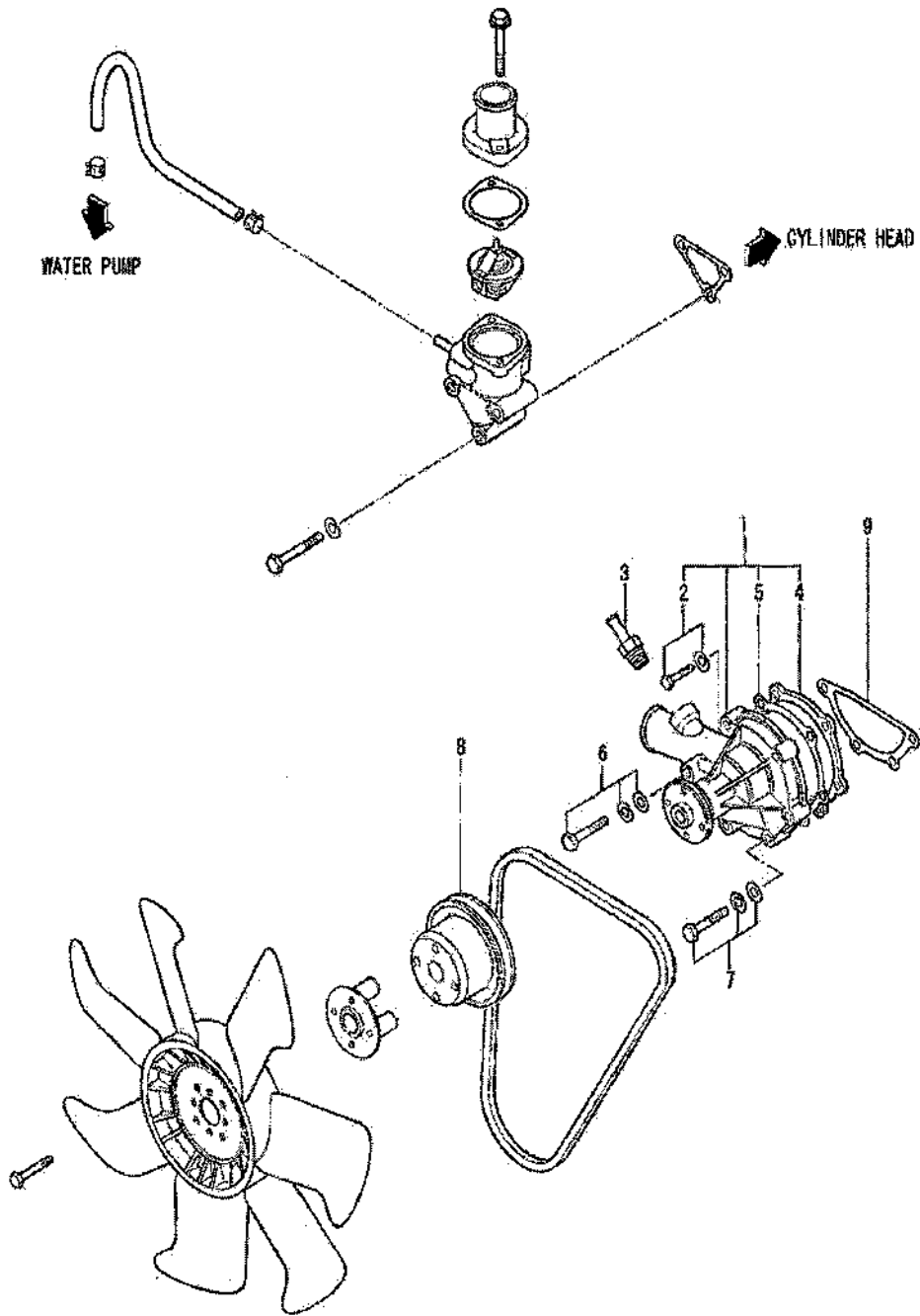
NO.	PART NO.	PART NAME & DESCRIPTION	QTY			APP.NO	REM.
			A	B	C		
1	MM400380	BREATHER, PIPE	1	1	1		

07-06-25

01

# WATER PUMP & PULLEY

FIG. 45



# WATER PUMP & PULLEY

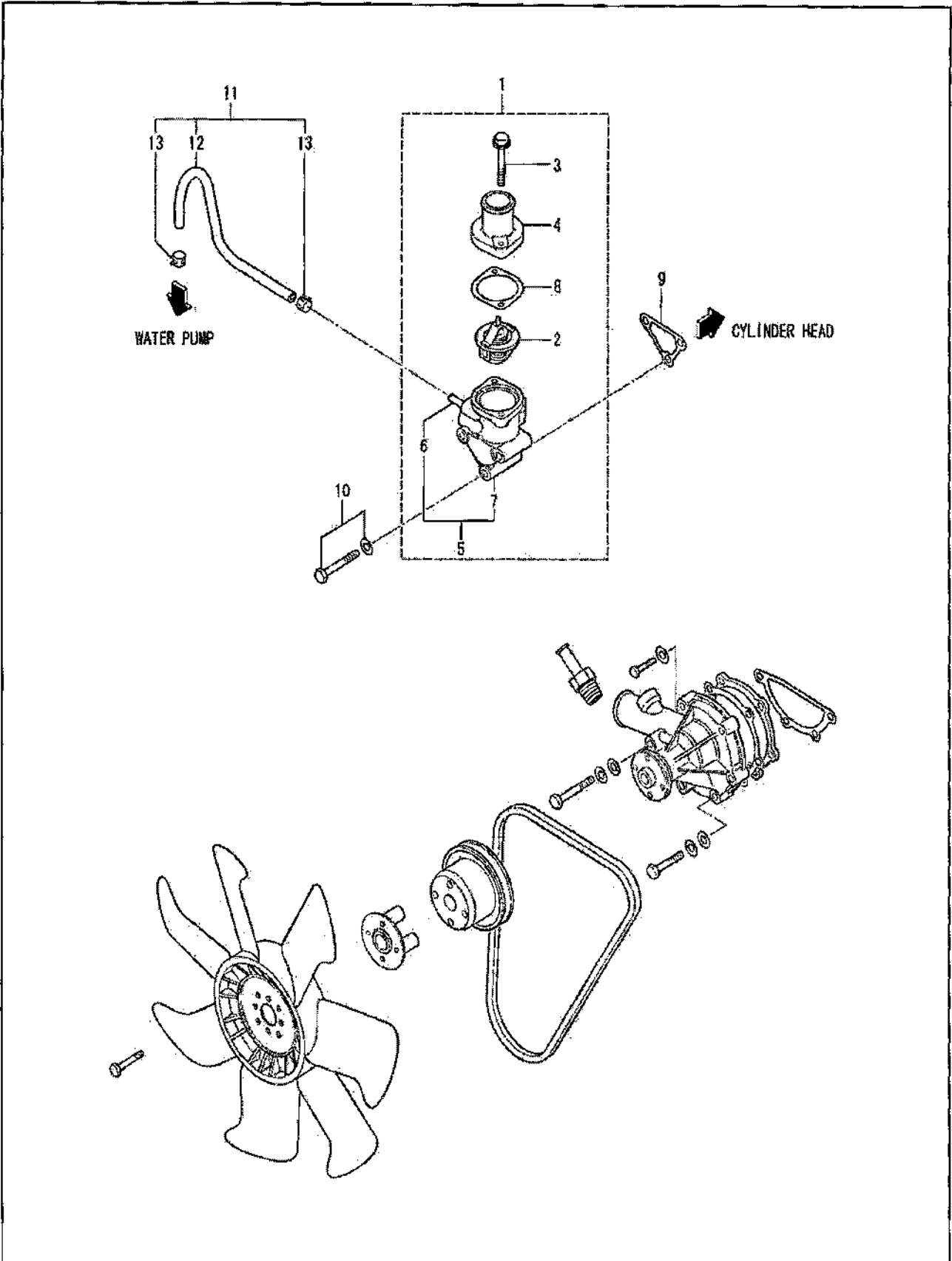
A-C3030/B-C3035/C-C3040

**FIG. 45**

NO.	PART NO.	PART NAME & DESCRIPTION	QTY			APP.NO	REM.
			A	B	C		
1	MM409302	WATERPUMP-MM409302-MHI	1	1	1		40052841
2	MF240031	BOLT, W/WASHER	2	2	2		
3	MM409314	JOINT-MM409314-MHI	1	1	1		40052842
4	MM409327	PLATE, WATER PUMP	1	1	1		
5	MM409326	GASKET, WATER PUMP	1	1	1		
6	MF244860	BOLT, W/WASHER	3	3	3		
7	MF244863	BOLT, W/WASHER	1	1	1		
8	31A45-20700	PULLEY, W/PUMP 89	1	1	1		
9	30H45-00101	GASKET, WATER PUMP	1	1	1		

# COOLING SYSTEM

FIG. 46



# COOLING SYSTEM

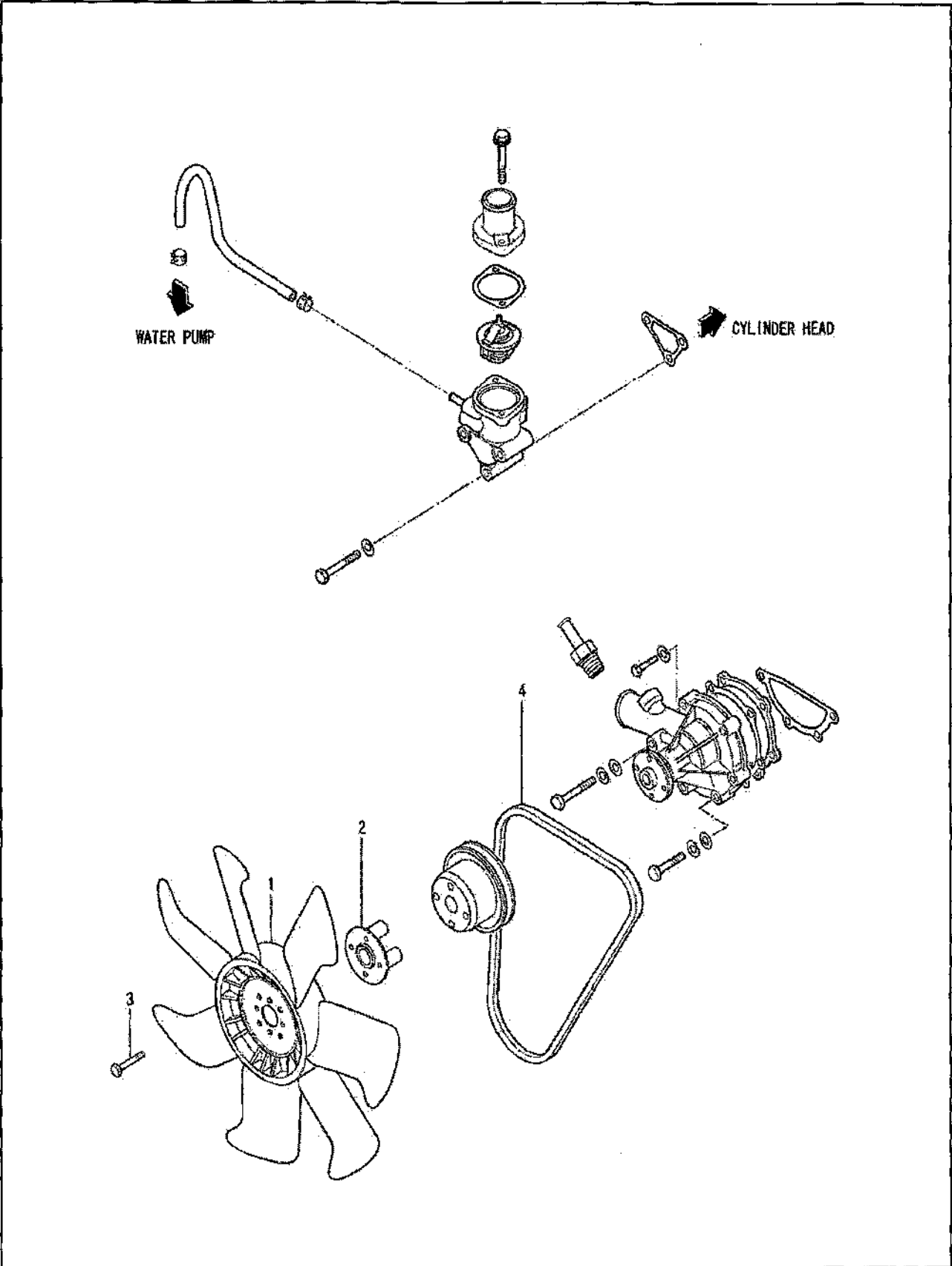
A-C3030/B-C3035/C-C3040

**FIG. 46**

NO.	PART NO.	PART NAME & DESCRIPTION	QTY			APP.NO	REM.
			A	B	C		
1	*	THERMOSTAT ASSY	1	1	1		
2	MD001370	THERMOSTAT-MD001370-MHI	1	1	1		40055748
3	MF140227	BOLT, FLANGE	2	2	2		
4	MM409-31302	COVER, THERMOSTAT	1	1	1		
5	31A46-00064	CASE ASSY, THERMOSTAT	1	1	1		
6	*	PIPE, THERMOSTAT	1	1	1		
7	*	CASE, THERMOSTAT	1	1	1		
8	31A46-11200	GASKET, THERMOSTAT	1	1	1		
9	31A46-10101	GASKET, THERMO CASE	1	1	1		
10	MF241266	BOLT, W/WASHER	3	3	3		
11	MM413196	HOSE ASSY, FUEL	1	1	1		
12	MS603014	HOSE , FUEL	1	1	1		
13	MS660164	CLIP	2	2	2		

# FAN & SPACER

FIG. 48



# FAN & SPACER

A-C3030/B-C3035/C-C3040

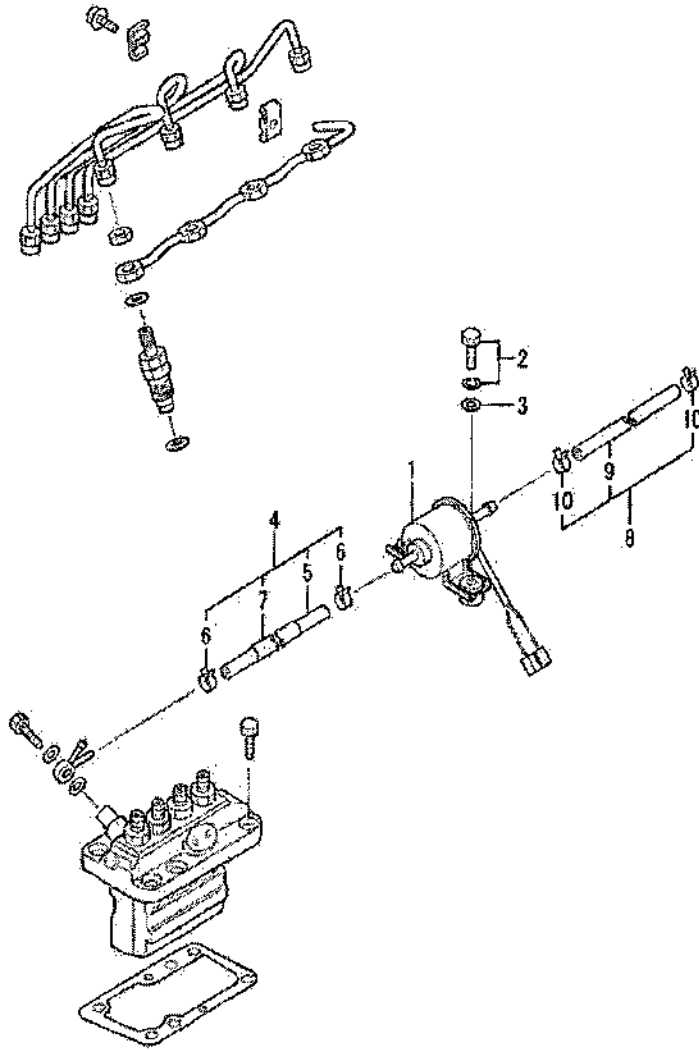
**FIG. 48**

NO.	PART NO.	PART NAME & DESCRIPTION	QTY			APP. NO	REM.
			A	B	C		
1	31A48-00200	FAN, COOLING	1	1	1		
2	31A48-01100	SPACER, FAN	2	2	2		
3	MF241242	BOLT, WWASHER	4	4	4		
4	MD041704	V-BELT-MD041704-MHI L=990	1	1	1		40055759



# FUEL PUMP

FIG. 60



# FUEL PUMP

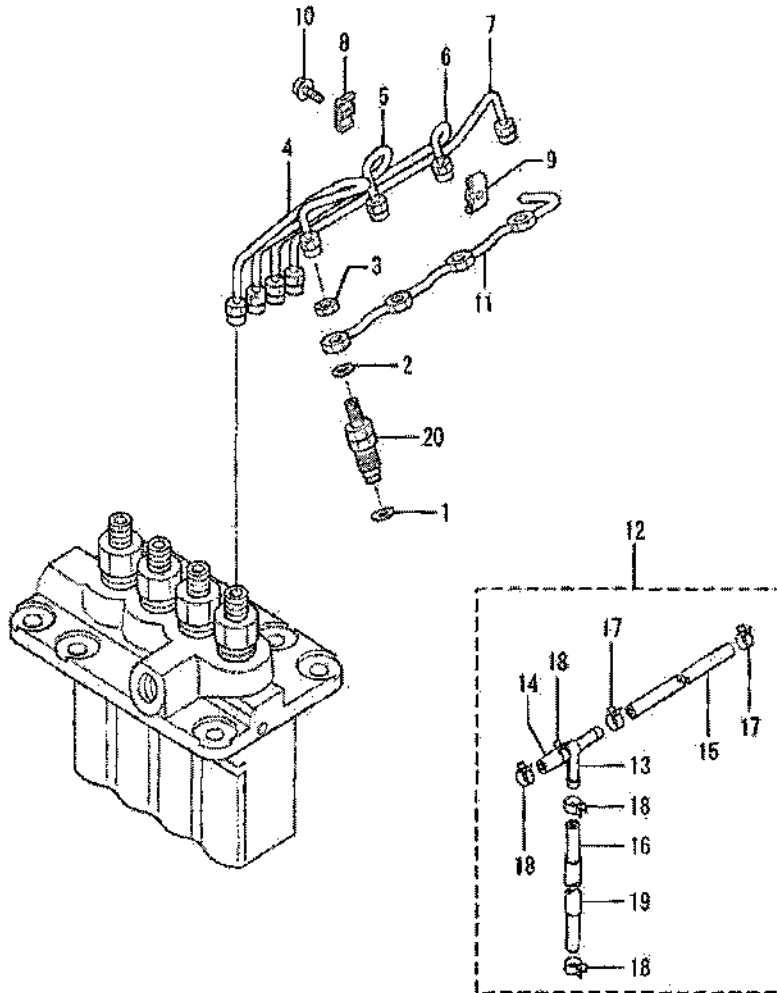
A-C3030/B-C3035/C-C3040

**FIG. 60**

NO.	PART NO.	PART NAME & DESCRIPTION	QTY			APP. NO	REM.
			A	B	C		
1	31A60-00600	PUMP, FUEL	1	1	1		
2	MF241229	BOLT, WWASHER	2	2	2		
3	MD107589	WASHER	2	2	2		
4	*	HOSE ASSY, FUEL	1	1	1		
5	MS602035	HOSE, FUEL	1	1	1		
6	MS660163	CLIP	2	2	1		
7	31A61-01300	HOSE, RUBBER	1	1	1		
8	MM413-20501	HOSE, FUEL	1	1	1		
9	MS602063	HOSE, FUEL	1	1	1		
10	MS660163	CLIP	2	2	2		

# FUEL SYSTEM

FIG. 61-00-01



# FUEL SYSTEM

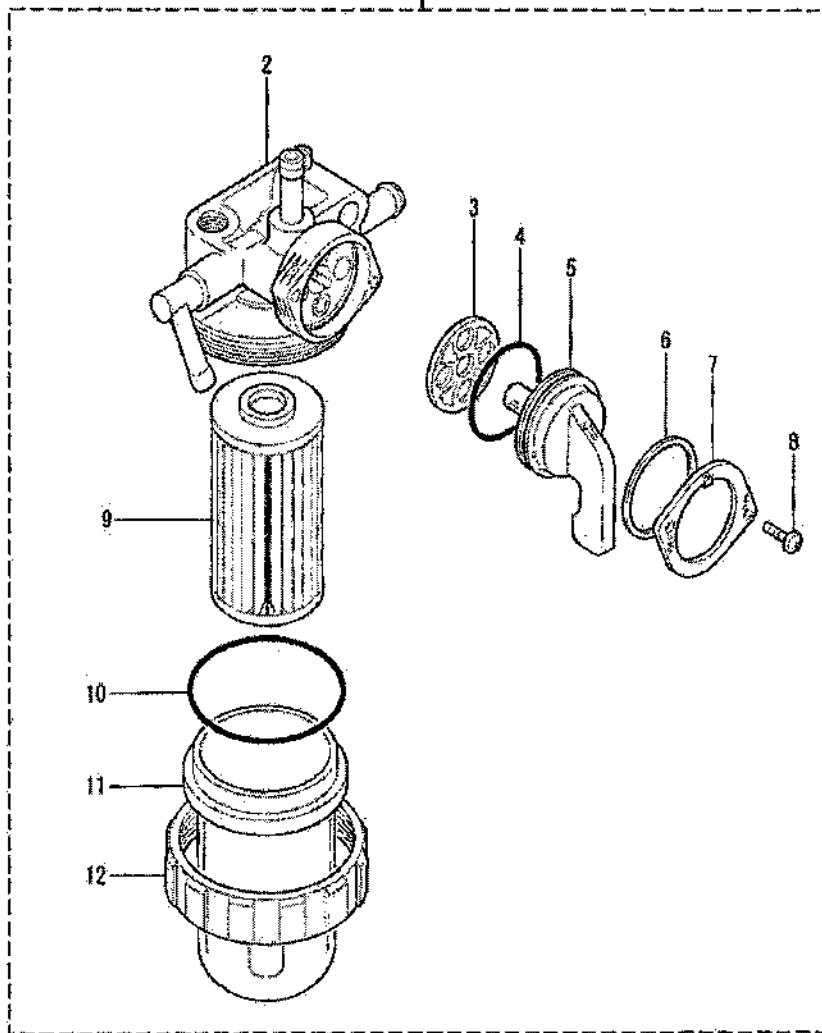
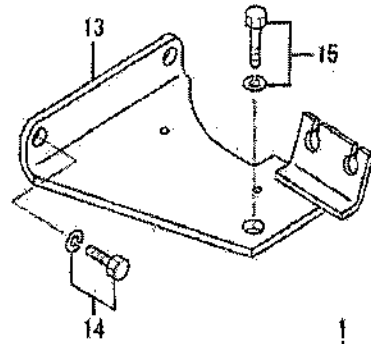
A-C3030/B-C3035/C-C3040

**FIG. 61-00-01**

NO.	PART NO.	PART NAME & DESCRIPTION	QTY			APP.NO	REM.
			A	B	C		
1	MD070717	GASKET-MD070717-MHI	4	4	4		40055776
2	MD068355	GASKET-MD068355-MHI	4	4	4		40055773
3	MD068353	NUT-MD068353-MHI	4	4	4		40055772
4	31A61-04100	PIPE, INJECTION NO.1	1	1	1		
5	31A61-04200	PIPE, INJECTION NO.2	1	1	1		
6	31A61-04300	PIPE, INJECTION NO.3	1	1	1		
7	31A61-04400	PIPE, INJECTION NO.4	1	1	1		
8	MM430703	CLAMP (A)	3	3	3		
9	MM430614	CLAMP (B)	3	3	3		
10	MF243628	BOLT, W/WASHER	3	3	3		
11	31A61-12600	PIPE, FUEL LEAK OFF	1	1	1		
12	31A61-03200	HOSE ASSY, AIR VENT	1	1	1		
13	MM400886	JOINT	1	1	1		
14	MM430130	HOSE, FUEL	1	1	1		
15	MS602063	HOSE, FUEL	1	1	1		
16	MS604043	HOSE, FUEL	1	1	1		
17	MS660163	CLIP	2	2	2		
18	MS660169	CLIP	4	4	4		
19	31A61-01200	HOSE, RUBBER	1	1	1		
20	MM435-94101	NOZZLE & HOLDER ASSY	4	4	4		

# FUEL FILTER

FIG. 62



# FUEL FILTER

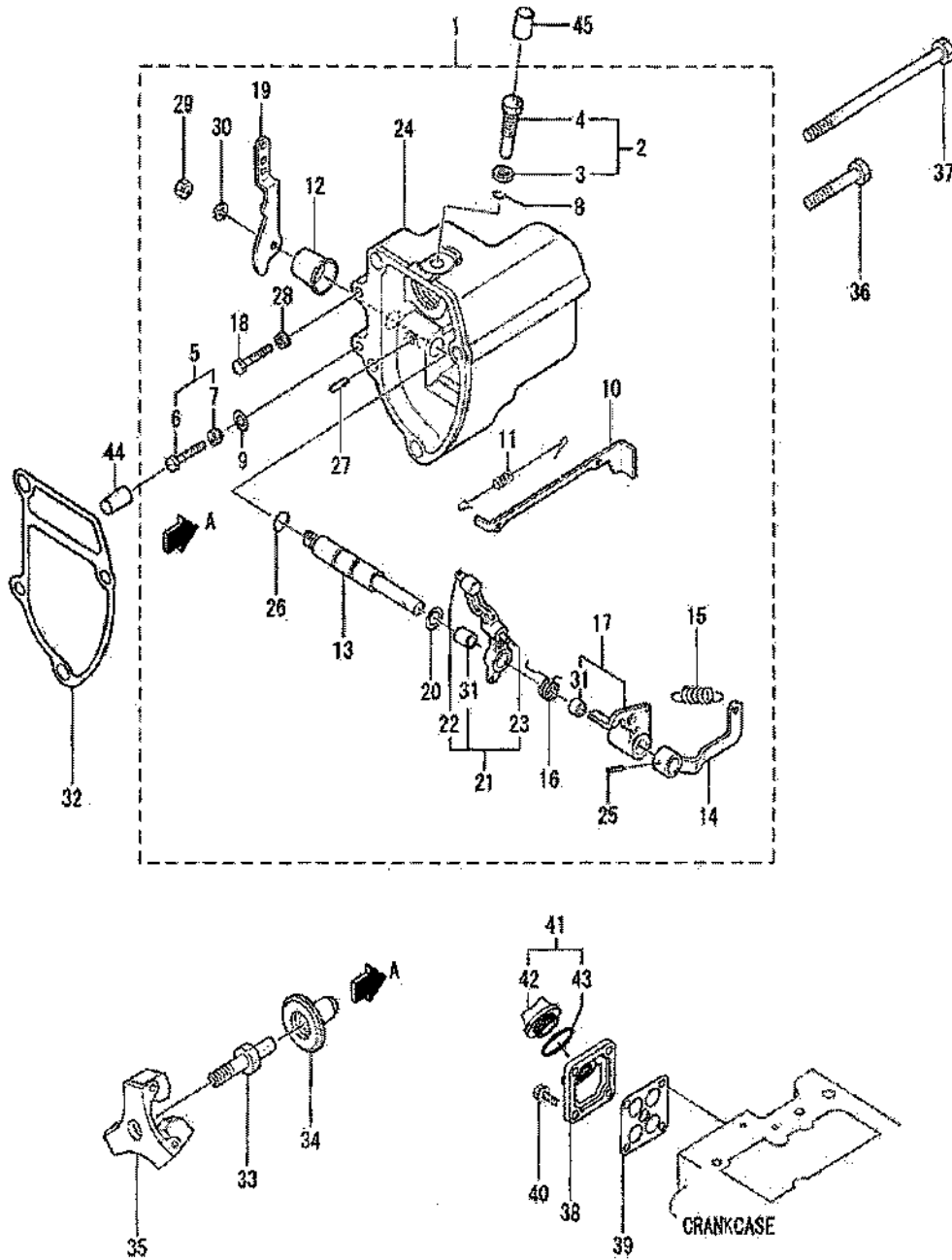
A-C3030/B-C3035/C-C3040

**FIG. 62**

NO.	PART NO.	PART NAME & DESCRIPTION	QTY			APP.NO	REM.
			A	B	C		
1	MM438739	FILTERASSYFUEL-MM438739-MHI	1	1	1		40052890
2	MM438743	BODY	1	1	1		
3	MM438748	PACKING, VALVE	1	1	1		
4	MM409866	O-RING, VALVE	1	1	1		
5	MM438747	LEVER	1	1	1		
6	MM409864	WASHER, WAVE	1	1	1		
7	MM409865	PLATE, LEVER	1	1	1		
8	MF200003	SCREW	2	2	2		
9	MM320-88601	ELEMENT	1	1	1		
10	MM409869	O-RING	1	1	1		
11	MM320881	BOBYSUBASSY-MM320881-MAM	1	1	1		40055396
12	MM409868	NUTRING-MM409868-MHI	1	1	1		40052846
13	31A62-21101	BRACKET, FUEL FILTER	1	1	1		
14	MF240051	BOLT, W/WASHER	2	2	2		
15	MF240080	BOLT, W/WASHER	1	1	1		

# GOVERNOR

FIG. 63-00-01A



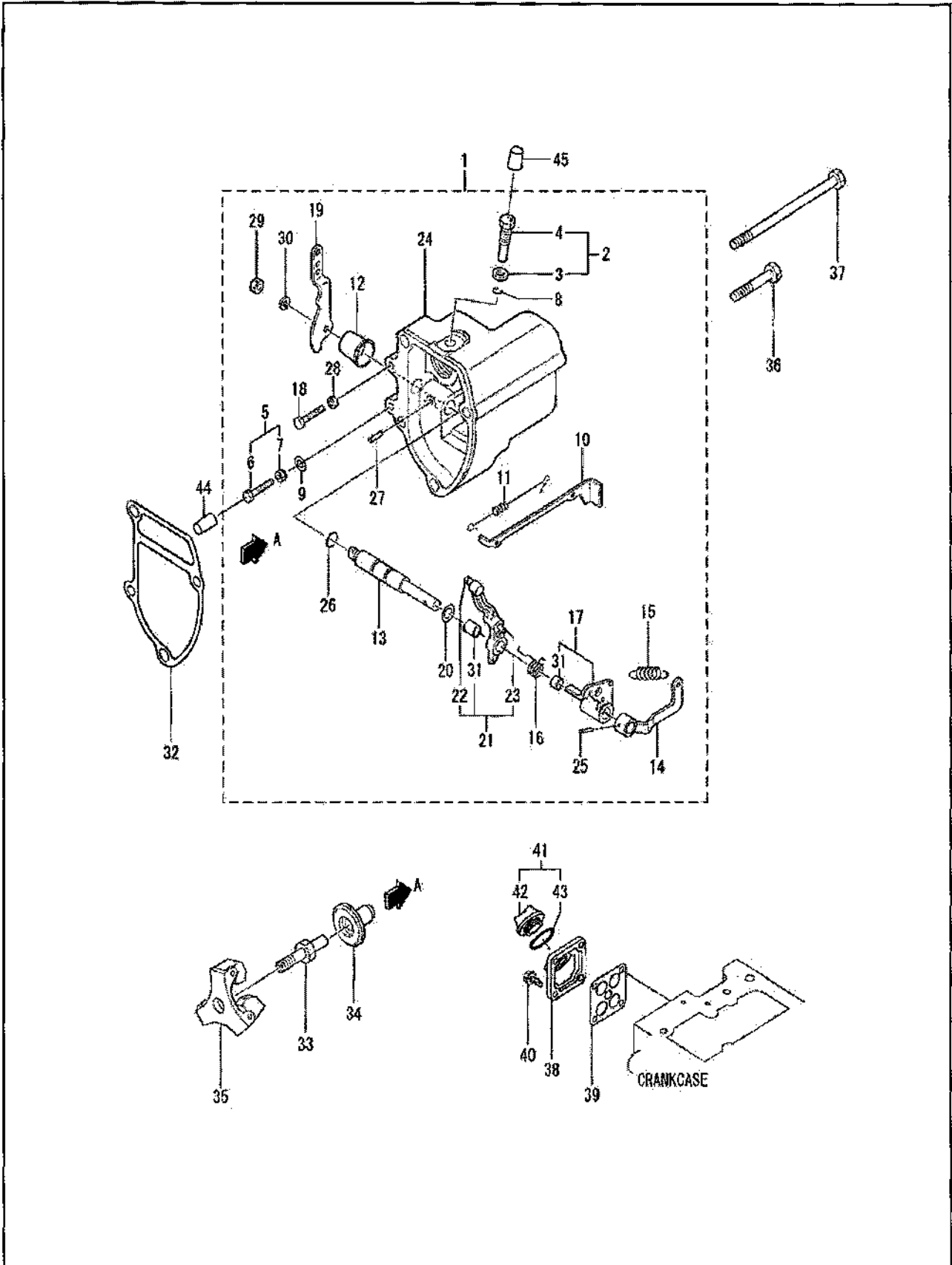
**FIG. 63-00-01A**

NO.	PART NO.	PART NAME & DESCRIPTION	QTY			APP.NO	REM.
			A	B	C		
1	31A63-13050	CASE ASSY, GOVERNOR	1	1	*		
2	*	SCREW ASSY, RACK SET	1	1	*		
3	*	NUT, TORQUE SET	1	1	*		
4	*	SCREW, RACK SET	1	1	*		
5	*	BOLT ASSY, HIGH SPEED	1	1	*		
6	*	BOLT, HIGH SPEED SET	1	1	*		
7	*	NUT, HIGH SPEED SET	1	1	*		
8	*	C-RING, TORQUE SET	1	1	*		
9	*	C-RING, HIGH SPEED SET	1	1	*		
10	*	TIE-ROD	1	1	*		
11	*	SPRING, TIE-ROD	1	1	*		
12	*	COVER, GOVERNOR SHAFT	1	1	*		
13	*	SHAFT, GOVERNOR	1	1	*		
14	*	LEVER, GOVERNOR	1	1	*		
15	*	SPRING, GOVERNOR	1	1	*		
16	*	SPRING, START	1	1	*		
17	*	LEVER, TENSION	1	1	*		
18	*	BOLT, LOW IDLE SET	1	1	*		
19	*	LEVER, SPEED CONTROL	1	1	*		
20	*	SHIM, GOVERNOR SHAFT	1	1	*		
21	*	LEVER, GOVERNOR	1	1	*		
22	*	PIN, GROOVED	1	1	*		
23	*	PIN, GROOVED	1	1	*		
24	*	CASE, GOVERNOR	1	1	*		
25	*	PIN, SPRING	1	1	*		
26	*	O-RING	1	1	*		
27	*	PIN, GROOVED	1	1	*		
28	*	NUT	1	1	*		
29	*	NUT, JAM	1	1	*		
30	*	WASHER, SPRING	1	1	*		
31	*	BEARING, NEEDLE	1	1	*		
32	31A63-12201	GASKET, GOVERNOR	1	1	*		
33	31A63-10305	SHAFT, SLIDING	1	1	*		
34	31A63-20201	SLEEVE, SLIDING	1	1	*		
35	31A63-11061	WEIGHT ASSY, GOVERNOR	1	1	*		
36	MF100064	BOLT	3	3	*		
37	31A63-02300	BOLT, GOVERNOR	1	1	*		
38	MM435288	OIL, INLET	1	1	*		
39	MM435249	PROTECTOR, OIL INLET	1	1	*		40052875
40	MF241226	BOLT, W/WASHER	4	4	*		
41	30H42-04020	CAP ASSY, OIL FILLER	1	1	*		
42	*	CAP, OIL FILLER	1	1	*		
43	MF520402	O-RING	1	1	*		
44	30L63-02400	COVER, HIGH SPEED	1	1	*		
45	30L63-00800	COVER, TORQUE SET	1	1	*		



# GOVERNOR

FIG. 63-00-02B

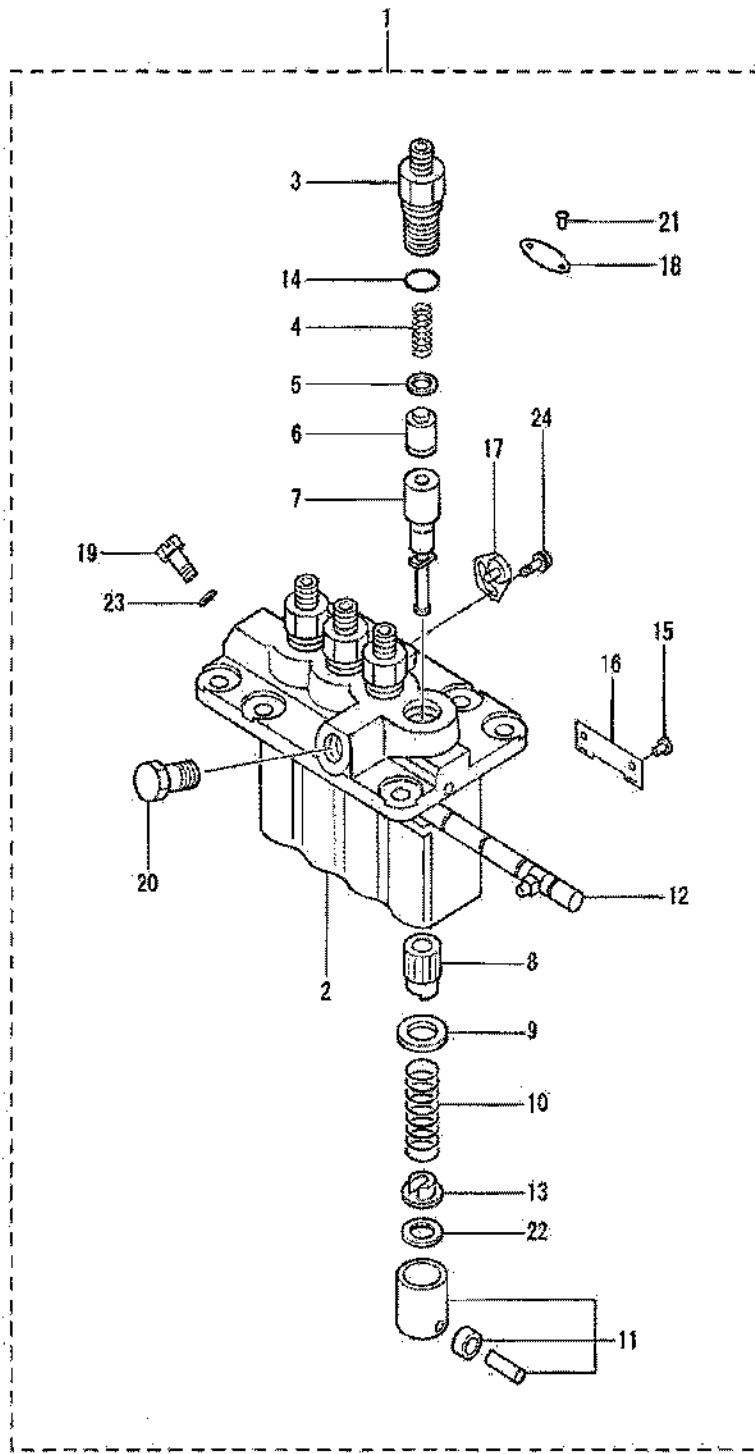


**FIG. 63-00-02B**

NO.	PART NO.	PART NAME & DESCRIPTION	QTY			APP.NO	REM.
			A	B	C		
1	31A63-08070	CASE ASSY, GOVERNOR	*	*	1		
2	*	SCREW ASSY, RACK SET	*	*	1		
3	*	NUT, TORQUE SET	*	*	1		
4	*	SCREW, RACK SET	*	*	1		
5	*	BOLT ASSY, HIGH SPEED	*	*	2		
6	*	BOLT, HIGH SPEED SET	*	*	1		
7	*	NUT, HIGH SPEED SET	*	*	1		
8	*	C-RING, TORQUE SET	*	*	1		
9	*	C-RING, HIGH SPEED SET	*	*	1		
10	*	TIE-ROD	*	*	1		
11	*	SPRING, TIE-ROD	*	*	1		
12	*	COVER, GOVERNOR SHAFT	*	*	1		
13	*	SHAFT, GOVERNOR	*	*	1		
14	*	LEVER, GOV. SPRING	*	*	1		
15	*	SPRING, GOVERNOR	*	*	1		
16	*	SPRING, START	*	*	1		
17	*	LEVER, TENSION	*	*	1		
18	*	BOLT, LOW IDLE SET	*	*	1		
19	*	LEVER, SPEED	*	*	1		
20	*	SHIM, GOVERNOR SHAFT	*	*	1		
21	*	LEVER, GOVERNOR	*	*	1		
22	*	PIN, GROOVED	*	*	1		
23	*	PIN, GROOVED	*	*	1		
24	*	CASE, GOVERNOR	*	*	1		
25	*	PIN, SPRING	*	*	1		
26	*	O-RING	*	*	1		
27	*	PIN, GROOVED	*	*	1		
28	*	NUT	*	*	1		
29	*	NUT, JAM	*	*	1		
30	*	WASHER, SPRING	*	*	1		
31	*	BEARING, NEEDLE	*	*	1		
32	31A63-12201	GASKET, GOVERNOR	*	*	1		
33	31A63-10305	SHAFT, SLIDING	*	*	1		
34	31A63-20201	SLEEVE, SLIDING	*	*	1		
35	31A63-11061	WEIGHT ASSY, GOVERNOR	*	*	1		
36	MF100064	BOLT	*	*	3		
37	31A63-02300	BOLT, GOVERNOR CASE	*	*	1		
38	MM435288	BOLT, W/WASHER	*	*	1		
39	MM435249	NUT	*	*	1		
40	MF241226	SCREW, ADJUSTING	*	*	4		
41	30H42-04020	CAP ASSY, OIL FILLER	*	*	1		
42	*	CAP, OIL FILLER	*	*	1		
43	MF520402	O-RING	*	*	1		
44	30L63-02400	COVER, HIGH SPEED	*	*	1		
45	30L63-00800	COVER, TORQUE SET	*	*	1		

# INJECTION PUMP

FIG. 65-00-01



# INJECTION PUMP

A-C3030/B-C3035/C-C3040

**FIG. 65-00-01**

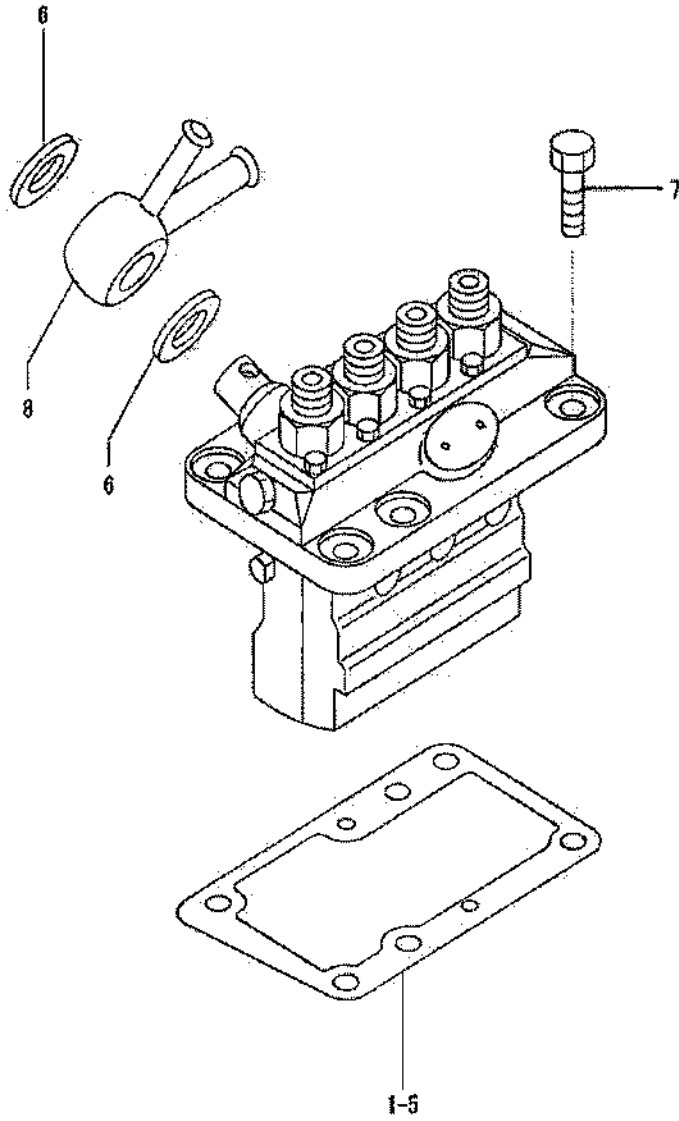
NO.	PART NO.	PART NAME & DESCRIPTION	QTY			APP.NO	REM.
			A	B	C		
1	31A65-04090	PUMP ASSY, FUEL INJ	1	1	*		
	31A65-21040	PUMP ASSY, FUEL INJ	*	*	1		
2	47X01-04200	HOUSING SUB ASSY	1	1	1		
3	*	HOLDER, DELIVERY	4	4	4		
4	MM501161	SPRING, DELIVERY	4	4	*		
5	MM501385	SPRING, DELIVERY	*	*	4		
	MM501856	GASKET, DELIVERY	4	4	4		
6	47X01-04300	VALVE SUB ASSY	4	4	*		
	47X01-07700	VALVE SUB ASSY	*	*	4		
7	47X01-04400	ELEMENT SUB ASSY	4	4	4		
8	MM500229	SLEEVE, CONTROL	4	4	4		
9	MM501098	SEAT, SPRING	4	4	4		
10	MM500360	SPRING, PLUNGER	4	4	4		
11	MM500230	TAPPET SUB ASSY	4	4	4		
12	MM501255	RACK ASSY, CONTROL	1	1	1		
13	MM500316	SEAT, SPRING	4	4	4		
14	MM500438	O-RING	4	4	4		
15	MM500231	PIN, TAPPET GUIDE	4	4	4		
16	MM500232	PLATE	2	2	2		
17	MM514109	PLATE, ADJUSING	3	3	3		
18	47X01-05700	NAME-PLATE	1	1	1		
19	MM501152	SCREW, AIR BLEEDER	1	1	1		
20	MM500100	SCREW, HOLLOW	1	1	1		
21	MM500429	RIVET, SERRATION	2	2	2		
22	MM500299	SHIM	T=0.60	AR	AR	AR	
	MM500309	SHIM	T=0.20	AR	AR	AR	
	MM500310	SHIM	T=0.30	AR	AR	AR	
	MM500311	SHIM	T=0.40	AR	AR	AR	
	MM500312	SHIM	T=0.50	AR	AR	AR	
	MM500314	SHIM	T=0.25	AR	AR	AR	
	MM500315	SHIM	T=0.35	AR	AR	AR	
	MM501246	SHIM	T=0.45	AR	AR	AR	
	MM501364	SHIM	T=0.55	AR	AR	AR	
	MM501365	SHIM	T=0.65	AR	AR	AR	
23	MM500578	WASHER, PIPE UNION	1	1	1		
24	MM514195	BOLT, WASHER HEAD	3	3	3		

07-06-25

01

# INJECTION PUMP

FIG. 65-00-02



# INJECTION PUMP

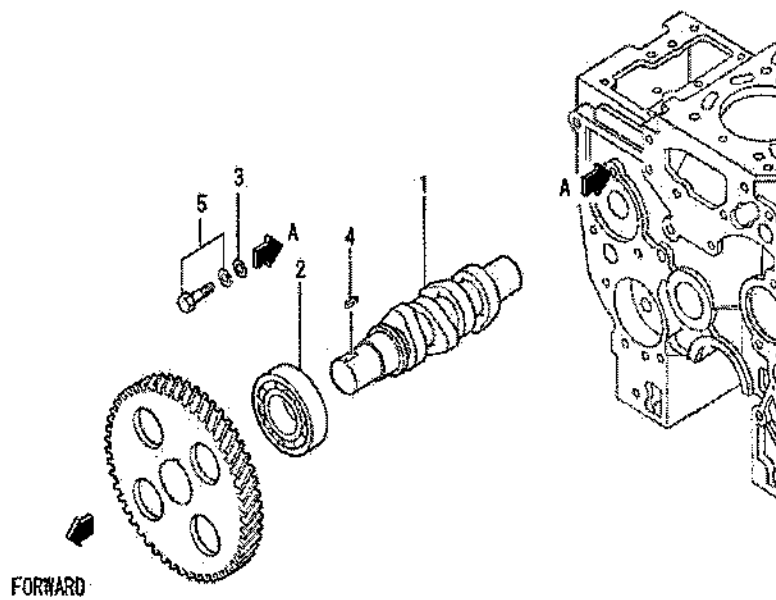
A-C3030/B-C3035/C-C3040

**FIG. 65-00-02**

NO.	PART NO.	PART NAME & DESCRIPTION		QTY			APP. NO	REM.
				A	B	C		
1	MM409036	SHIM	T=0.7	1	1	1		
2	MM409037	SHIM	T=0.8	1	1	1		
3	MM409038	SHIM	T=0.9	1	1	1		
4	MM409039	SHIM	T=1.0	1	1	1		
5	MM409031	SHIM	T=0.2	1	1	1		
6	MK661-14000	WASHER, SEAL		2	2	2		
7	MF100055	BOLT		6	6	6		
8	31A65-00500	COLOR, UNION		1	1	1		

# INJECTION PUMP DRIVE

FIG. 65-02



# INJECTION PUMP DRIVE

A-C3030/B-C3035/C-C3040

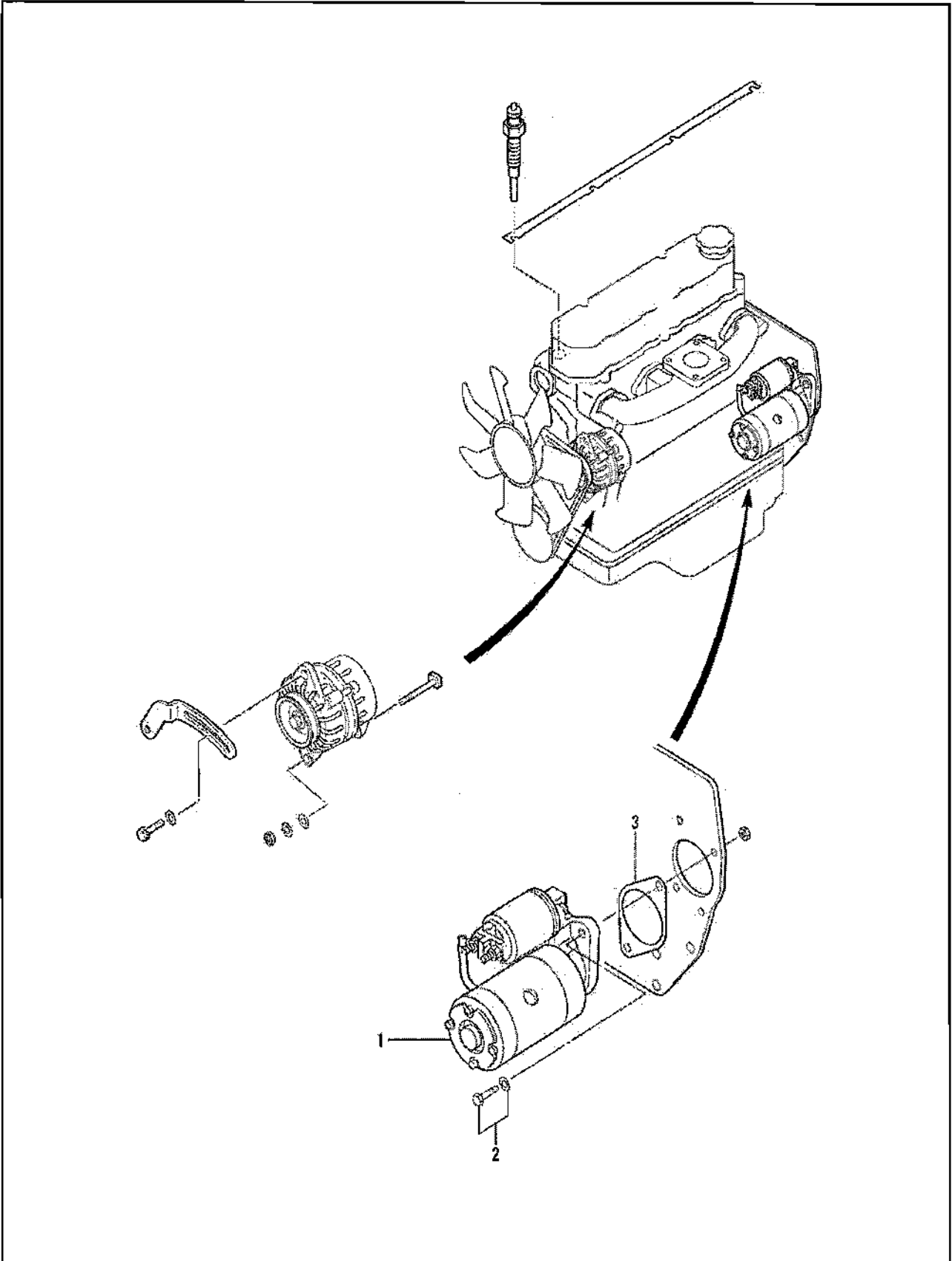
**FIG. 65-02**

NO.	PART NO.	PART NAME & DESCRIPTION	QTY			APP.NO	REM.
			A	B	C		
1	31A65-11200	SHAFT, FUEL INJ PUMP	1	1	1		
2	MD703856	BEARING, RADIAL BALL	1	1	1		
3	MD000425	WASHER	1	1	1		
4	MF476018	KEY, SUNK	1	1	1		
5	MF241251	BOLT, W/WASHER	1	1	1		



# STARTER

FIG. 66-01



# STARTER

A-C3030/B-C3035/C-C3040

**FIG. 66-01**

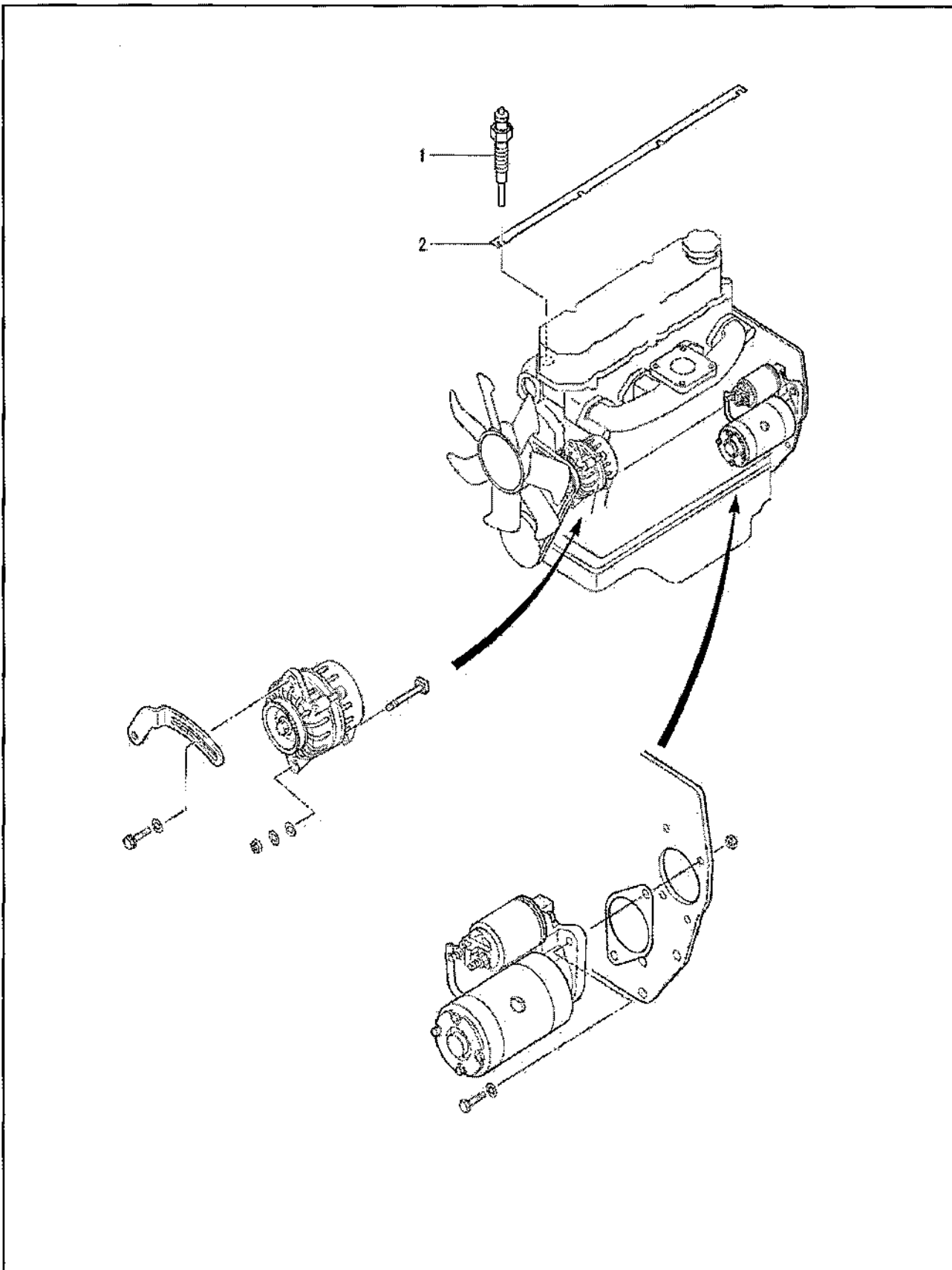
NO.	PART NO.	PART NAME & DESCRIPTION	QTY			APP.NO	REM.
			A	B	C		
1	31A66-00102	STARTER SEE G/N 66-00-03	1	1	1		
2	MF241282	BOLT, W/WASHER	2	2	2		
3	30A66-00100	GASKET, STARTER	1	1	1		

07-06-25

01

# GLOW PLUG

FIG. 66-02



# GLOW PLUG

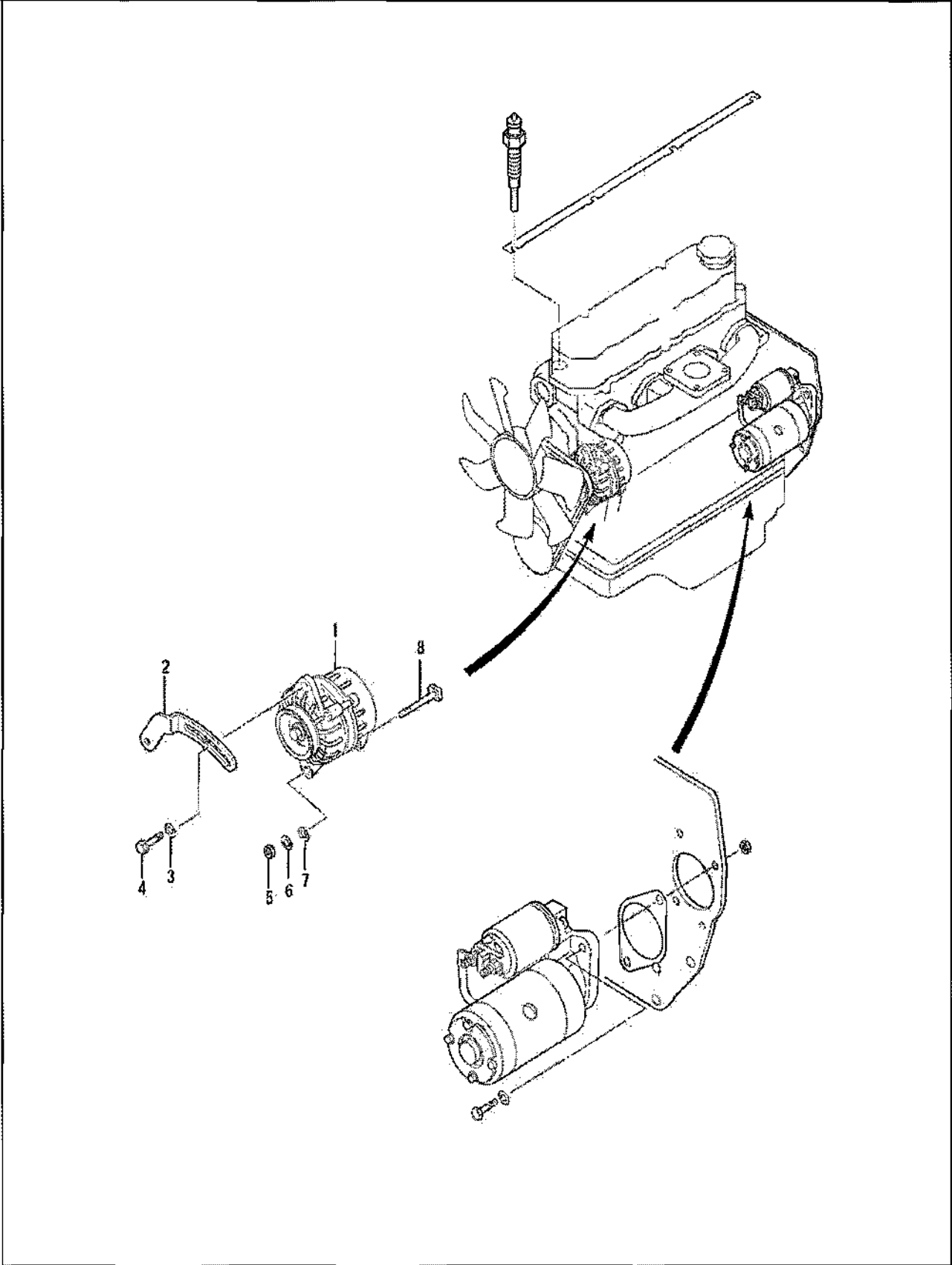
A-C3030/B-C3035/C-C3040

**FIG. 66-02**

NO.	PART NO.	PART NAME & DESCRIPTION	QTY			APP. NO	REM.
			A	B	C		
1	32A66-03100	PLUG, GLOW	4	4	4		
2	31A66-04101	PLATE, CONNECTION	1	1	1		

# ALTERNATOR

FIG. 68-01



# ALTERNATOR

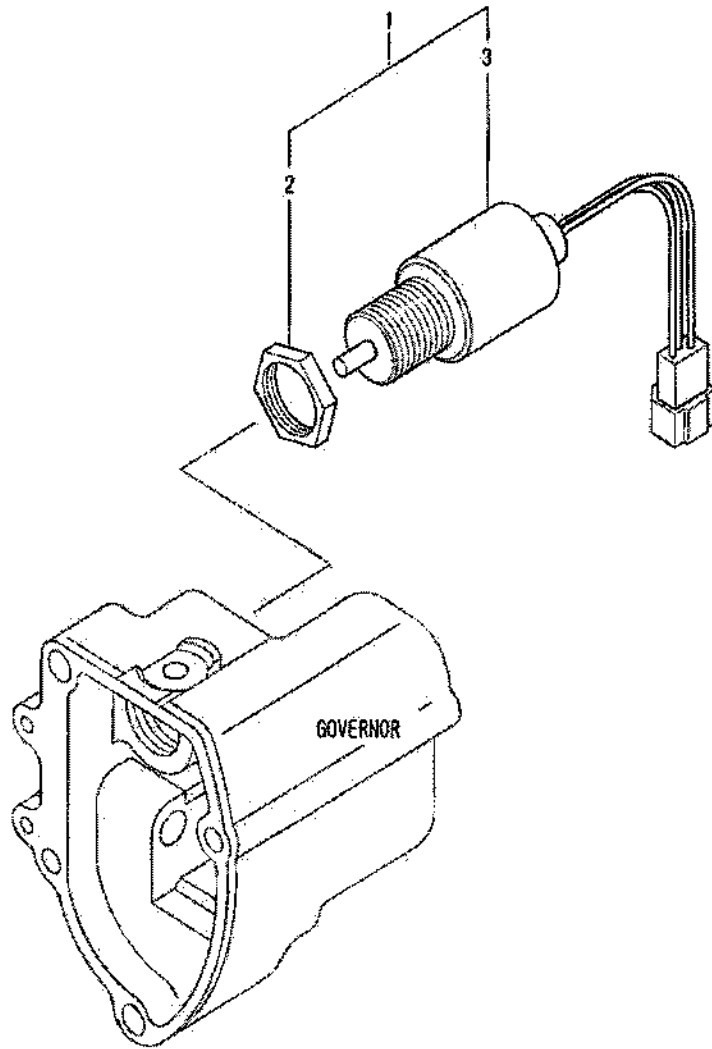
A-C3030/B-C3035/C-C3040

**FIG. 68-01**

NO.	PART NO.	PART NAME & DESCRIPTION	QTY			APP.NO	REM.
			A	B	C		
1	31A68-00402	ALTERNATOR ASSY	1	1	1		
2	31A68-02100	PLATE, ADJUSTING	1	1	1		
3	MD001521	WASHER	1	1	1		
4	MF140026	BOLT, FLANGE	1	1	1		
5	MF430006	NUT	1	1	1		
6	MF450406	WASHER, SPRING	1	1	1		
7	MF450006	WASHER, PLAIN	1	1	1		
8	31A68-20300	BOLT, ALTERNATOR	1	1	1		

# CONTROL SYSTEM

FIG. 87



# CONTROL SYSTEM

A-C3030/B-C3035/C-C3040

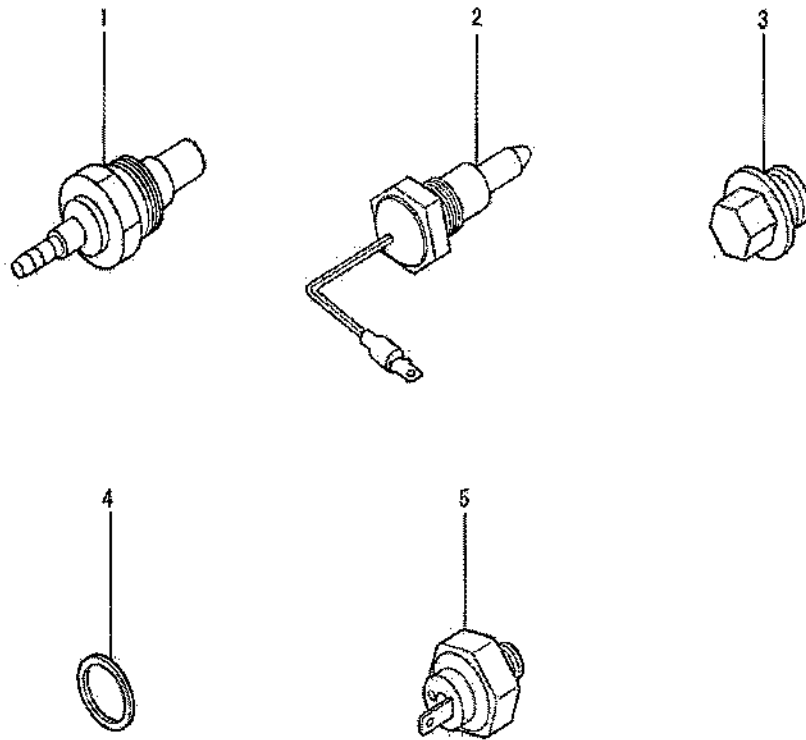
**FIG. 87**

NO.	PART NO.	PART NAME & DESCRIPTION	QTY			APP.NO	REM.
			A	B	C		
1	30A87-10042	SOLENOID & NUT SET	1	1	1		
2	MM409671	NUT	1	1	1		
3	30A87-20402	SOLENOID ASSY	1	1	1		



# INSTRUMENT

FIG. 90



# INSTRUMENT

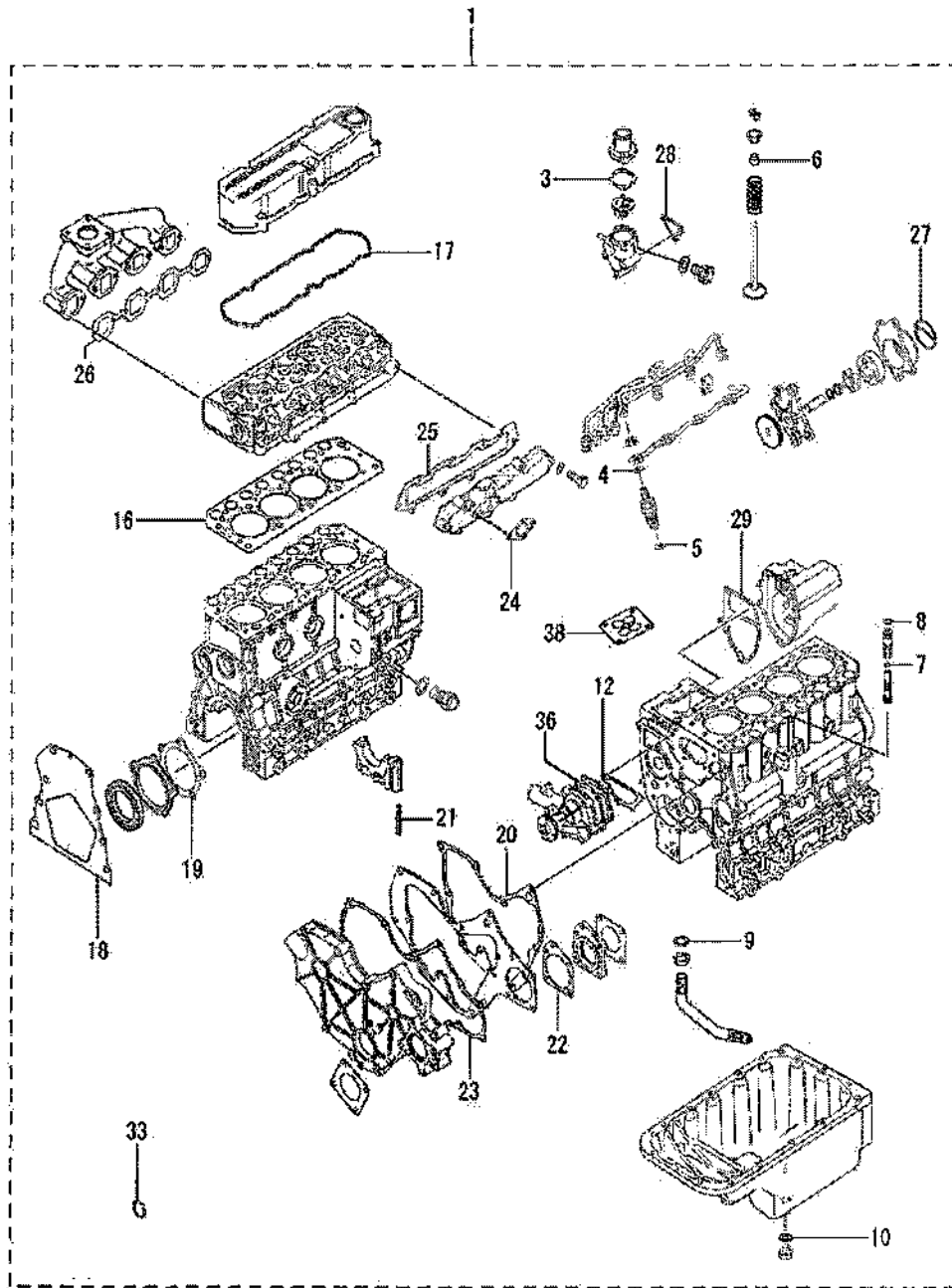
A-C3030/B-C3035/C-C3040

FIG. 90

NO.	PART NO.	PART NAME & DESCRIPTION	QTY			APP.NO	REM.
			A	B	C		
1	MM435-13302	UNIT, WATER TEMP	1	1	1		
2	30L46-02700	THERMOSWITCH	*	*	1		
3	MM316248	PLUG, DRAIN	2	2	2		
4	05946-01601	WASHER, SEALING	2	2	2		
5	31A90-00300	SWITCH, OIL	1	1	1		

# OVERHAUL GASKET KIT

FIG. 94



# OVERHAUL GASKET KIT

A-C3030/B-C3035/C-C3040

**FIG. 94**

NO.	PART NO.	PART NAME & DESCRIPTION	QTY			APP.NO	REM.
			A	B	C		
1	31A94-06010	GASKET KIT, OVERHAUL	1	1	1		
2	34340-00700	GASKET	1	1	1		
3	31A46-11200	GASKET, THERMOSTAT	1	1	1		
4	MD068355	GASKET, FUEL RETURN	4	4	4		
5	MD070717	GASKET, HOLDER	4	4	4		
6	MD115472	SEAL, VALVE STEM	8	8	8		
7	MD701788	O-RING	1	1	1		
8	MF520012	O-RING	1	1	1		
9	MF660036	GASKET	1	1	1		
10	MF660065	GASKET, OIL DRAIN	2	2	2		
11	30A11-00101	GASKET	3	3	3		
12	30H45-00101	GASKET, WATER PUMP	1	1	1		
13	30A66-00101	GASKET, STARTER	2	2	2		
14	MD050317	O-RING, FILTER CAP	1	1	1		
15	30A30-00200	GASKET	2	2	2		
16	31A01-33300	GASKET, CYLINDER HEAD	1	1	1		
17	31A04-33202	GASKET, ROCKER COVER	1	1	1		
18	31A07-02401	GASKET, REAR	1	1	1		
19	31A07-11701	GASKET, OIL SEAL CASE	1	1	1		
20	31A07-11901	GASKET, FRONT PLATE	1	1	1		
21	31A07-12200	SEAL, SIDE	4	4	4		
22	31A11-05201	GASKET, HOUSING	1	1	1		
23	31A11-11101	GASKET, GEAR	1	1	1		
24	31A30-00801	GASKET, INLET PIPE	1	1	1		
25	31A30-10902	GASKET, INLET COVER	1	1	1		
26	31A32-01200	GASKET, EXHAUST MANF	1	1	1		
27	31A35-02300	PACKING, BODY	1	1	1		
28	31A46-10101	GASKET, THERMO CASE	1	1	1		
29	31A63-12201	GASKET, GOVERNOR CASE	1	1	1		
30	49168-15200	GASKET, INLET COVER	3	3	3		
31	MM434046	GASKET, TURBO	1	1	1		
32	MF660063	GASKET	2	2	2		
33	05946-01601	WASHER, SEALING	4	4	4		
34	32C39-00200	O-RING, OIL COOLER	1	1	1		
35	MF520004	O-RING, LEVEL GAGE	1	1	1		
36	MM409326	GASKET, WATER PUMP	1	1	1		40055385
37	30A63-00101	GASKET, TIE-ROD COVER	1	1	1		
38	MM435249	PROTECTOR, OIL INLET	1	1	1		40052875
39	F4202-14000	GASKET	2	2	2		
40	32A91-05100	GASKET, LIQUID	1	1	1		
41	F3153-06000	O-RING	1	1	1		
42	MD000312	GASKET	2	2	2		

07-06-25

01

ENGINE (C3030/C3040) Part number INDEX

PART NO.	FIG. NO.	Key No	PART NO.	PART NO.	FIG. NO.	Key No	PART NO.	PART NO.	FIG. NO.	Key No	PART NO.
04826-22000	07-01	01		31A04-30042	04-01	8		31A46-01060	45	10	
04826-23500	07-01	02		31A04-30100	04-01	1		31A46-01200	45	07	
09006-80020	61-03-01	16		31A04-33202	04-02	2		31A46-10101	45	11	
09011-05070	61-03-01	01		31A04-33202	94	19		31A46-10101	94	30	
09013-10520	61-03-01	02		31A04-34100	04-01	12		31A48-01100	45	7	
09013-60640	61-03-01	03		31A04-34300	04-01	13		31A61-01200	61-01	07	
09013-70130	61-03-01	04		31A05-00201	04-02	6		31A61-01300	61-01	03	
09014-02500	61-03-01	05		31A05-01300	04-02	11		31A61-03200	61-01	12	
09014-02610	61-03-01	05		31A07-00800	07-01	03		31A61-04100	61-01	4	
09015-05450	61-03-01	06		31A07-02300	07-02	3		31A61-04200	61-01	5	
09016-10210	61-03-01	07		31A07-02401	07-02	11		31A61-04300	61-01	6	
09016-30082	61-03-01	08		31A07-02401	94	20		31A61-04400	61-01	7	
09016-40170	61-03-01	09		31A07-02500	07-01	18		31A61-05102	61-01	24	
09017-00170	61-03-01	10		31A07-03100	07-01	04		31A61-12600	61-01	11	
09018-30050	61-03-01	14		31A07-04500	07-02	10		31A62-21100	62	2	
09021-00440	61-03-01	11		31A07-11601	07-02	1		31A63-00071	63-01	22	
09024-40180	61-03-01	18		31A07-11701	07-02	2		31A63-00071	63-01	26	
09030-10060	61-03-01	12		31A07-11701	94	21		31A63-00400	63-01	12	
09046-70030	61-03-01	15		31A07-11901	11	2		31A63-00400	63-01	10	
09311-03840	61-02	01		31A07-11901	94	22		31A63-00500	63-01	13	
09312-10380	61-02	04		31A07-12200	07-01	14		31A63-00500	63-01	11	
09312-70310	61-02	03		31A07-12200	94	23		31A63-01400	63-01	14	
09316-41351	61-02	07		31A07-42010	07-01	1		31A63-01400	63-01	12	
09317-40070	61-02	05		31A08-04101	07-02	13		31A63-01800	63-01	15	
09317-51810	61-02	02		31A11-00800	11	4		31A63-01800	63-01	13	
09317-51830	61-02	02		31A11-02100	11	1		31A63-02300	63-01	10	
09317-51850	61-02	02		31A11-05101	11	8		31A63-02300	63-01	10	
09317-51870	61-02	02		31A11-05201	11	9		31A63-02400	63-01	16	
09317-51890	61-02	02		31A11-05201	94	24		31A63-02400	63-01	14	
09317-51910	61-02	02		31A11-11101	11	5		31A63-02600	63-01	17	
09317-51930	61-02	02		31A11-11101	94	25		31A63-02600	63-01	15	
09317-51950	61-02	02		31A13-02020	13	1		31A63-02700	63-01	18	
09317-51970	61-02	02		31A13-04101	13	2		31A63-02700	63-01	16	
09317-51990	61-02	02		31A17-10600	17	7		31A63-03300	63-01	19	
09340-05060	61-02	06		31A17-11100	17	1		31A63-04040	63-01	17	
09450-36444	61-03-01	22		31A17-11200	17	2		31A63-04200	63-01	23	
09450-36510	61-03-01	22		31A17-11300	17	3		31A63-05601	63-01	11	
30405-31402	04-02	8		31A19-01021	17	9		31A63-07900	63-01	20	
30636-25901	90	4		31A19-10021	17	8		31A63-07900	63-01	24	
30636-25901	94	17		31A20-00102	17	14		31A63-09010	63-01	1	
30A19-00010	17	11		31A20-00200	17	15		31A63-10090	63-01	24	
30A19-00020	17	12		31A20-22100	17	20		31A63-10090	63-01	28	
30A19-00030	17	13		31A21-01070	17	23		31A63-10305	63-01	3	
30A30-00200	94	16		31A23-00051	07-01	13		31A63-10305	63-01	3	
30A87-10040	87	1		31A23-01023	23	3		31A63-11061	63-01	5	
30A87-20400	87	02		31A23-01302	17	24		31A63-11061	63-01	5	
30H48-00200	45	6		31A23-01404	23	1		31A63-11301	63-01	21	
30L07-00700	07-01	15		31A23-01502	23	4		31A63-11301	63-01	25	
30L46-02700	90	2		31A23-10101	23	2		31A63-12201	63-01	2	
30L63-00020	63-01	09		31A30-00300	30	3		31A63-12201	63-01	2	
30L63-00600	63-01	10		31A30-00801	30	4		31A63-12201	94	31	
31A01-02500	01-01	05		31A30-00801	94	26		31A63-20201	63-01	4	
31A01-02600	01-01	06		31A30-10902	30	2		31A63-20201	63-01	4	
31A01-11100	01-01	4		31A30-10902	94	27		31A63-22100	63-01	23	
31A01-21060	01-01	1		31A30-20010	30	1		31A63-22100	63-01	27	
31A01-33300	01-01	5		31A32-00402	30	7		31A63-55021	63-01	1	
31A01-33300	94	18		31A32-01200	30	8		31A65-11200	04-01	9	
31A01-51040	01-01	1		31A32-01200	94	28		31A65-20041	61-03-01	1	
31A03-01101	01-01	08		31A32-02100	30	12		31A65-21040	61-03-01	1	
31A03-01500	01-01	08		31A35-02300	35	01		31A66-04101	66-01	2	
31A04-00700	04-01	7		31A35-02300	94	29		31A68-00402	66-01	12	
31A04-01301	04-01	3		31A35-05050	36	1		31A68-02100	66-01	5	
31A04-11023	04-01	03		31A35-30010	35	1		31A68-20300	66-01	11	
31A04-20031	04-02	1		31A42-10100	36	6		31A90-00300	90	5	
31A04-20200	04-01	2		31A45-20700	45	5		31A94-30011	94	1	
31A04-21010	04-01	09		31A46-00062	45	04		32A04-02400	04-01	08	

# ENGINE (C3030/C3040) Part number INDEX

PART NO.	FIG. NO.	Key No	PART NO.	PART NO.	FIG. NO.	Key No	PART NO.	PART NO.	FIG. NO.	Key No	PART NO.
32A36-05011	36	3		F1805-08018	11	3		MF140026	66-01	7	
32A66-03100	66-01	1		F1805-08016	62	3		MF140227	45	02	
32A91-05100	94	32		F1805-08020	30	6		MF200003	62	07	
32C04-04500	04-01	14		F1805-08030	11	11		MF241242	45	8	
32C04-06100	04-01	15		F1805-08035	30	5		MF401935	11	14	
40052807	23	5		F1805-08040	04-02	4		MF401936	11	12	
40052815	04-02	7	MF476215	F1805-08065	45	12		MF401936	39	9	
40052815	17	16	MF476215	F1805-10020	01-01	7		MF430004	63-01	04	
40052820	63-01	14	MM300540	F1805-10020	62	4		MF430004	63-01	04	
40052820	63-01	14	MM300540	F1805-10025	66-01	3		MF430006	66-01	8	
40052838	61-01	17	MM409031	F1825-06025	61-01	10		MF430126	17	19	
40052839	61-01	13	MM409036	F1825-08045	45	3		MF430725	63-01	05	
40052841	45	1	MM409302	F1825-08060	45	4		MF430725	63-01	05	
40052842	45	02	MM409314	F2325-08000	04-01	04		MF430729	36	01	
40052843	66-02	1	MM409413	F2515-08000	13	4		MF450006	66-01	10	
40052846	62	11	MM409868	F2846-05000	07-01	16		MF450010	17	17	
40052847	61-01	25	MM413205	F2850-03020	63-01	01		MF450405	63-01	06	
40052848	36	7	MM430598	F2850-03020	63-01	01		MF450405	63-01	06	
40052864	04-01	4	MM433306	F3150-01010	63-01	02		MF450406	66-01	9	
40052875	63-01	12	MM435249	F3150-01010	63-01	02		MF450410	17	18	
40052875	63-01	12	MM435249	F4202-22000	36	4		MF472404	07-01	11	
40052875	94	15	MM435249	F4202-22000	94	01		MF472535	36	02	
40052884	07-02	6	MM437313	F8000-08000	07-01	01		MF476018	04-01	12	
40052890	62	1	MM438739	K8712630	63-01	03		MF520012	36	03	
40055361	17	10	MM437305	K8712630	63-01	03		MF520012	94	07	
40055363	61-01	21	MM436739	M106X-29871	66-02	08		MF520402	63-01	01	
40055385	45	08	MM409326	M212X-11771	66-02	17		MF520402	63-01	01	
40055385	94	12	MM409326	M231C-01301	66-02	16		MF522010	04-01	02	
40055396	62	10	MM320881	M231X-01371	66-02	14		MF660036	36	2	
40055399	04-01	6	MD115472	M357T-73171	66-02	15		MF660036	94	08	
40055399	94	05	MD115472	M357X-85371	66-02	11		MF660065	13	01	
40055402	01-01	01	MD000245	M372X-00471	66-02	06		MF660065	94	09	
40055748	45	01	MD001370	M385X-03771	66-02	13		MF665004	13	02	
40055749	11	7	MD008762	M389X-11472	66-02	04		MF665511	07-01	10	
40055751	04-02	5	MD008784	M391C-02501	66-02	20		MF665532	07-01	4	
40055756	17	02	MD021105	M414X-04871	66-02	01		MF665533	07-01	5	
40055759	45	9	MD041704	M578D-22801	66-02	22		MF665538	01-01	02	
40055772	61-01	3	MD068353	M605X-30671	66-02	12		MK681-14000	61-01	19	
40055773	61-01	2	MD068355	M640B-27771	66-02	05		MK992-00001	63-01	6	
40055773	94	03	MD068355	M641X-65471	66-02	02		MK992-00001	63-01	6	
40055776	61-01	1	MD070717	M644B-21201	66-02	21		MK993-00240	63-01	7	
40055776	94	04	MD070717	M648C-28271	66-02	23		MK993-00240	63-01	7	
40055785	36	5	MD134953	M649T-05071	66-02	19		MM316248	90	3	
90802-20150	61-03-01	13		M800X-44972	66-02	18		MM320886	62	08	
94901-81020	61-03-01	20		M863C-06171	66-02	03		MM331-31701	63-01	07	
94903-00030	61-03-01	23		M901X-00371	66-02	07		MM331-31701	63-01	07	
94904-80800	61-03-01	17		MD000269	07-02	5		MM400380	04-02	12	
94918-00310	61-03-01	19		MD000425	04-01	11		MM400896	61-01	01	
F1035-05010	04-01	01		MD000551	94	02		MM401-20601	11	10	
F1035-08020	07-02	4		MD000961	63-01	18		MM401-20601	94	10	
F1035-08020	30	10		MD001521	66-01	6		MM402737	04-02	10	
F1035-08020	61-01	18		MD002613	17	22		MM407171	36	04	
F1035-08022	35	2		MD006704	17	01		MM407-42202	45	2	
F1035-08040	13	3		MD006704	17	01		MM407-42202	94	11	
F1035-08045	11	6		MD016483	04-01	5		MM408245	07-02	12	
F1035-08045	63-01	9		MD019845	63-01	19		MM408470	01-01	6	
F1035-08045	63-01	9		MD021105	17	02		MM409037	61-01	14	
F1035-08055	30	11		MD021204	04-01	10		MM409038	61-01	15	
F1035-12025	07-01	19		MD024256	07-01	17		MM409039	61-01	16	
F1805-06012	36	9		MD024812	17	01		MM409-31301	45	03	
F1805-06018	63-01	13		MD107589	61-01	23		MM409327	45	09	
F1805-06018	63-01	13		MD701788	36	01		MM409-41901	66-01	4	
F1805-06025	61-01	22		MD701788	94	06		MM409-41901	94	13	
F1805-06030	45	01		MD701789	36	8		MM409645	07-01	12	
F1805-08016	04-01	13		MD703856	04-01	10		MM409671	87	01	
F1805-08016	04-02	9		MD952231	17	21		MM409864	62	05	

ENGINE (C3030/C3040) Part number INDEX

PART NO.	FIG. NO.	Key No	PART NO.	PART NO.	FIG. NO.	Key No	PART NO.	PART NO.	FIG. NO.	Key No	PART NO.
MM409865	62	06									
MM409866	62	03									
MM409869	62	09									
MM409869	94	14									
MM413196	45	13									
MM430130	61-01	02									
MM430419	36	05									
MM430613	07-01	3									
MM430614	61-01	9									
MM430703	61-01	8									
MM433233	63-01	20									
MM433614	63-01	8									
MM433614	63-01	8									
MM433673	63-01	09									
MM433921	17	4									
MM433922	17	5									
MM433923	17	6									
MM434542	63-01	21									
MM435-13302	90	1									
MM435203	63-01	22									
MM435288	63-01	11									
MM435288	63-01	11									
MM435-94101	61-02	1									
MM437140	61-01	20									
MM437884	07-02	7									
MM437885	07-02	8									
MM437886	07-02	9									
MM438743	62	01									
MM438747	62	04									
MM438748	62	02									
MS401335	11	13									
MS470059	04-02	3									
MS471104	07-01	7									
MS471105	07-01	8									
MS471110	07-01	9									
MS602035	61-01	01									
MS602063	61-01	03									
MS602063	61-01	01									
MS603014	45	01									
MS604043	61-01	04									
MS660163	61-01	05									
MS660163	61-01	02									
MS660163	61-01	02									
MS660164	45	02									
MS660169	61-01	06									
MS661140	01-01	3									
MS661140	07-01	6									
S930P-16470	66-02	09									
S930P-60470	66-02	10									

# CHASSIS PART

---

## ■ ENGINE

FUEL TANK -----	FIG. 2-1	G. 040
ENGINE CONTROL -----	FIG. 2-2	G. 100
ENGINE CONTROL -----	FIG. 2-3	G. 100
MUFFLER -----	FIG. 2-4	G. 150
RADIATOR -----	FIG. 2-5	G. 170
AIR CLEANER -----	FIG. 2-6	G. 190
ENGINE FRAME -----	FIG. 2-7	G. 210,215

## ■ TM

CLUTCH -----	FIG. 3-1	G. 250
CLUTCH PEDAL -----	FIG. 3-2	G. 260
TRANSMISSION CASE -----	FIG. 3-4	G. 250,280
MAIN SHAFT -----	FIG. 3-5	G. 281,283
MAIN GEAR SHAFT -----	FIG. 3-6	G. 281
RANGE GEAR SHAFT -----	FIG. 3-7	G. 285
PTO SHAFT -----	FIG. 3-9	G. 287
PTO DRIVE SHAFT -----	FIG. 3-10	G. 283,287
FRONT WHEEL DRIVE -----	FIG. 3-12	G. 288,380
SHIFT LEVER & FORK -----	FIG. 3-13	G. 290,292
SHIFT LEVER & FORK -----	FIG. 3-14	G. 290,292

## ■ DIFF. LOCK

DIFF-LOCK -----	FIG. 4-1	G. 310
REAR DIFFERENTIAL -----	FIG. 4-2	G. 320

## ■ FRONT, REAR AXLE

FRONT AXLE ASSY -----	FIG. 5-1	G. 400
FRONT AXLE CASE -----	FIG. 5-2	G. 400
FRONT DIFFERENTIAL -----	FIG. 5-3	G. 400
FRONT DRIVE -----	FIG. 5-4	G. 400
REAR AXLE -----	FIG. 5-5	G. 400
FRONT & REAR WHEEL (TIRE) -----	FIG. 5-6	G. 490

## ■ STEERING

TIE ROD -----	FIG. 6-1	G. 610
STEERING CYLINDER -----	FIG. 6-2	G. 630
STEERING COLUMN -----	FIG. 6-3	G. 630
TEERING PIPE LINE -----	FIG. 6-4	G. 630

## ■ BRAKE

BRAKE -----	FIG. 7-1	G. 650
BRAKE PEDALS -----	FIG. 7-2	G. 670
PARKING BRAKE -----	FIG. 7-3	G. 670



## ■ ELECTRICAL

ELECTRICAL WIRING -----	FIG. 8-1	G. 730
BATTERY -----	FIG. 8-2	G. 740
INSTRUMENT PANEL -----	FIG. 8-3	G. 750
LAMP -----	FIG. 8-4	G. 760

## ■ HYDRAULIC

HYDRAULIC HOUSING -----	FIG. 9-1	G. 820
LIFT CONTROL VALVE & LINK -----	FIG. 9-2	G. 822
TM CONTROL VALVE -----	FIG. 9-3	G. 822
FRONT OUTLET & LOADER VALVE -----	FIG. 9-4	G. 822
HYDRAULIC LINES -----	FIG. 9-5	G. 823
HYDRAULIC PIPE LINE -----	FIG. 9-5	G. 823
HYDRAULIC LINKAGE -----	FIG. 9-6	G. 824
HYDRULIC CONTROL LEVER -----	FIG. 9-7	G. 825
HYDRAULIC CYLINDER -----	FIG. 9-8	G. 826
REMOTE CONTROL VALVE LINE -----	FIG. 9-9	G. 827
UPPER LINK BRACKET -----	FIG. 9-10	G. 828
DRAWBAR HITCH -----	FIG. 9-11	G. 891
UPPER & LOWER LINK -----	FIG. 9-12	G. 896
LIFT ROD -----	FIG. 9-13	G. 896
CHECK LINK -----	FIG. 9-14	G. 896
HYDRAULIC LINE & VAVLE -----	FIG. 9-15	G. 829

## ■ SHEET METAL, INTERIOR

HOOD -----	FIG. 10-1	G. 830
STEP -----	FIG. 10-2	G. 840
SEAT -----	FIG. 10-4	G. 850
FENDER -----	FIG. 10-14	G. 870
ROPS -----	FIG. 10-15	G. 880
ROOF TOP -----	FIG. 10-16	G. 880

## ■ TOOLS, DECAL

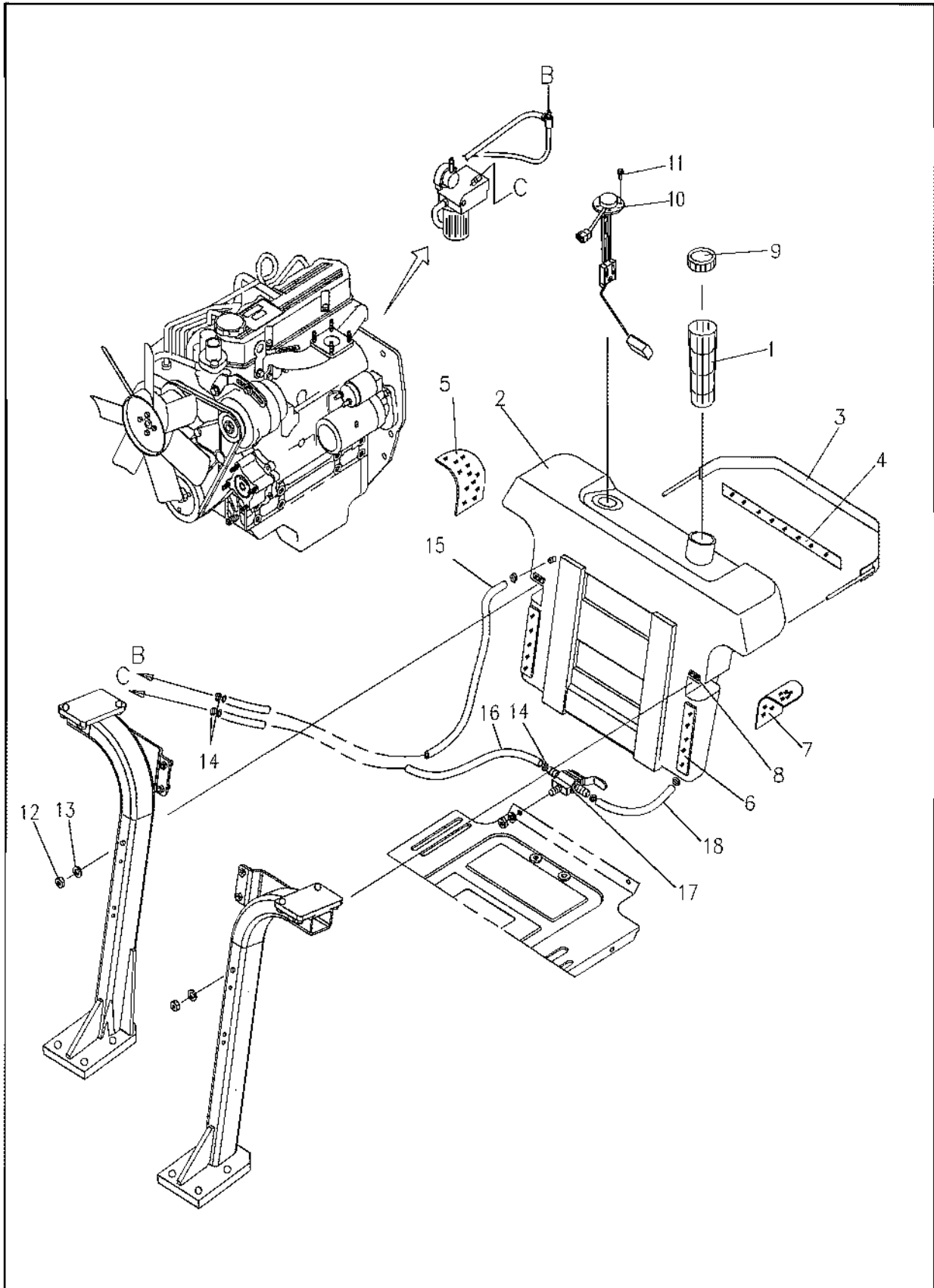
TOOLS -----	FIG. 11-1	G. 920
DECAL -----	FIG. 11-2	G. 980



# FUEL TANK

FIG. 2-1B

G. 040



# FUEL TANK

A-C3030, B-C3035, C-C3040

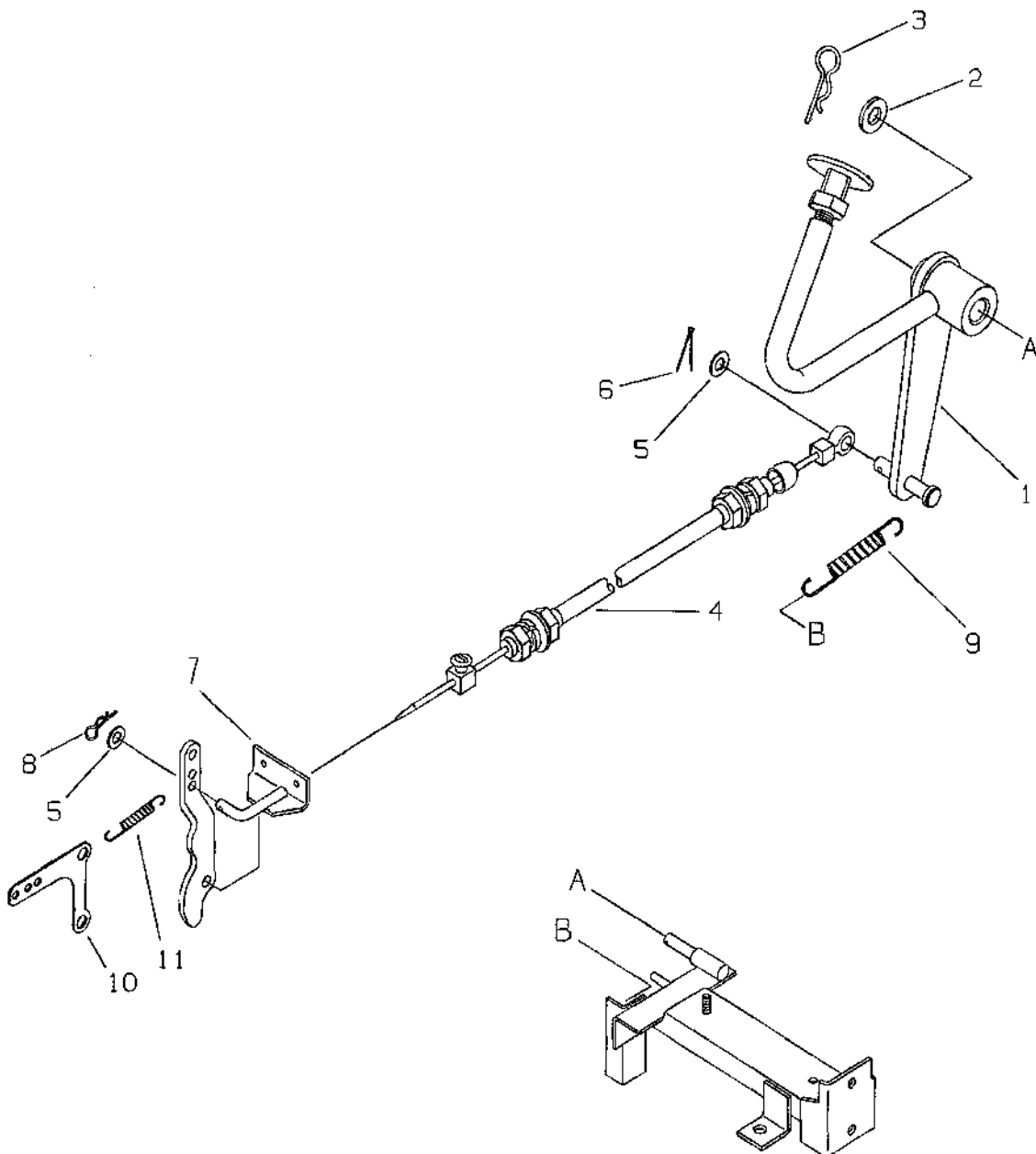
FIG. 2-1B

NO.	PART NO.	PART NAME & DESCRIPTION	QTY			APP.NO	REM.
			A	B	C		
1-12	40006746	TANK ASSY-FUEL-G040	1	*	1		
1	40008416	STRAINER-FUEL TANK-TRG040	1	*	1		
2	40008254	TANK-FUEL-TRG040	1	*	1		
3	40008255	BAND-FUEL TANK-TRG040	1	*	1		
4	40006892	SPONGE-RUBBER-TRG040	1	*	1		
5	40006930	SPONGE-RUBBER(RH)-TRG040	1	*	1		
6	40006939	SPONGE-RUBBER-TRG040	2	*	2		
7	40006931	SPONGE-RUBBER(LH)-TRG040	1	*	1		
8	40006936	SPONGE-RUBBER-TRG040	2	*	2		
9	40006773	CAP ASSY-FUEL-G040	1	*	1		
10	40181436	GAUGE-FUEL(C)-TRG750	1	*	1		
11	40028908	BOLT-HEX W/WS-S153051613	5	*	5		M5x0.8x16L
12	40027836	NUT-LOCK-TRG870	2	*	2		M8x1.25
13	40028194	WASHER-PLN-S365082013	2	*	2		D20/8.4x1.6T
14	40012020	CLAMP-HOSE-TRG970	6	*	6		
15	40007535	HOSE-FUEL-TRG040	1	*	1		
16	40007539	HOSE-FUEL-TRG040	1	*	1		
17	40007860	COCK-FUEL TANK-TRG040	1	*	1		
18	40007398	HOSE-VALVE COCK-TRG040	1	*	1		

# ENGINE CONTROL

FIG. 2-2

G. 100



# ENGINE CONTROL

A-C3030, B-C3035, C-C3040

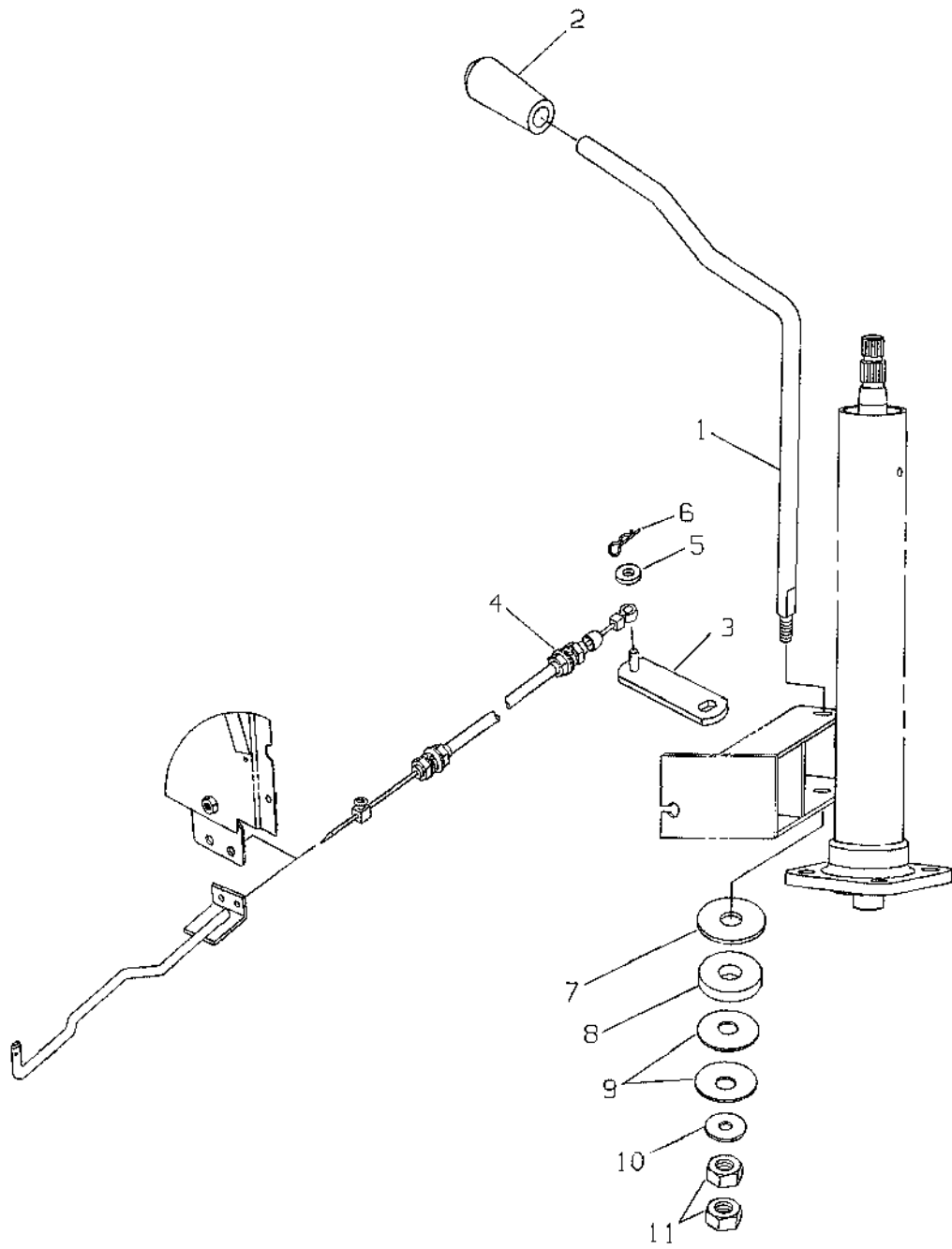
**FIG. 2-2**

NO.	PART NO.	PART NAME & DESCRIPTION	QTY			APP.NO	REM.
			A	B	C		
1	40011791	PEDAL-ACCELERATOR-TRG100	1	1	1		
2	40028172	WASHER-PLN-S364120013		$\Phi 24 \times \Phi 13 \times 2.5t$			
3	40029133	PIN-SNAP-S443120013		$\Phi 1.8$			
4	40007925	WIRE-ACC PEDAL-TRG100	1	1	1		
5	40008407	WASHER-PLASTIC-TRG970		$\Phi 17 \times \Phi 6 \times 3.0t$			
6	40029120	PIN-SPLIT-S441251613		$\Phi 2.3$			
7	40012596	ROD-ENGINE CONTROL-TRG100	1	1	1		
8	40029130	PIN-SNAP-S443060013		$\Phi 1.2$			
9	40011936	SPRING-TRG100	1	1	1		
10	40012283	BRACKET-RETURN SPRING-TRG100	1	1	1		
11	40012354	SPRING-TRG100	1	1	1		

# ENGINE CONTROL

FIG. 2-3

G. 100



# ENGINE CONTROL

A-C3030, B-C3035, C-C3040

**FIG. 2-3**

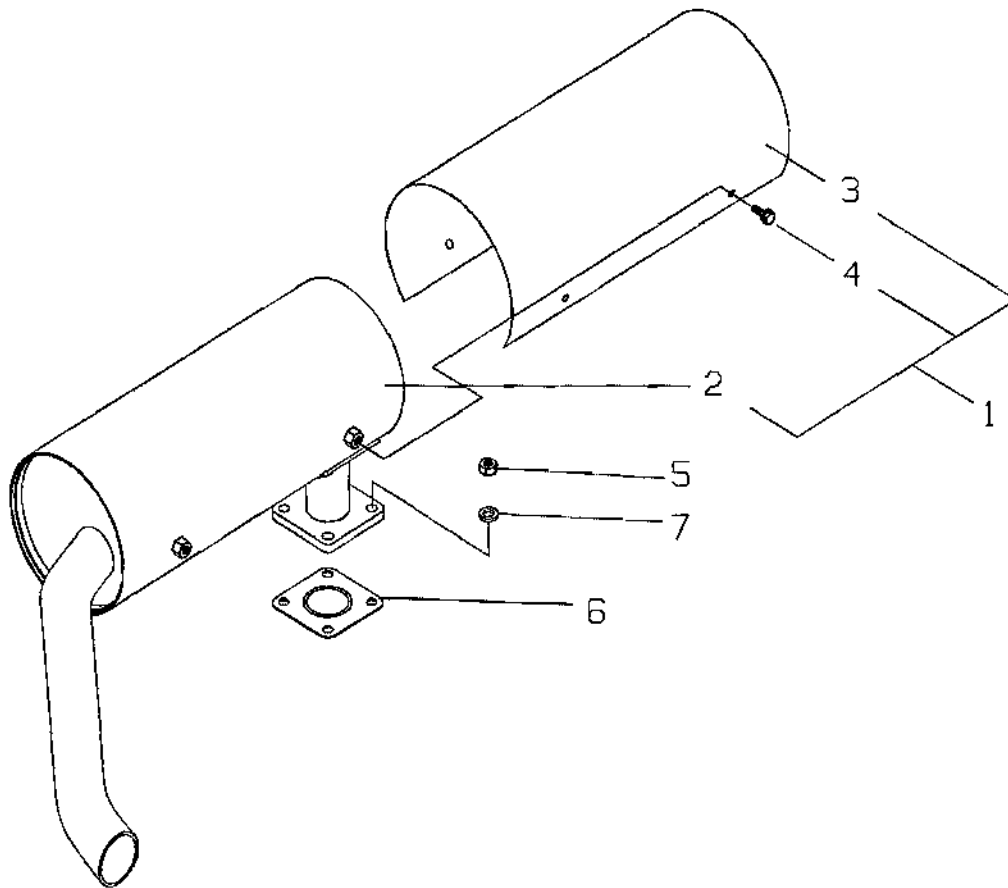
NO.	PART NO.	PART NAME & DESCRIPTION	QTY			APP.NO	REM.
			A	B	C		
1	40011313	LEVER-ACCELERATOR-TRG100	1	1	1		
2	40012880	GRIP-A0710037	1	1	1		
3	40011896	ARM-ENGINE CONTROL-TRG100	1	1	1		
4	40007743	WIRE-ACC LEVER-TRG100	1	1	1		
5	40008407	WASHER-PLASTIC-TRG970	1	1	1		
6	40029130	PIN-SNAP-S443060013	1	1	1		
7	40008339	FRICITION-TRG100	1	1	1		
8	40028172	WASHER-PLN-S364120013	1	1	1		
9	40029087	WASHER-CON/SPR-S373120023	2	2	2		
10	40028169	WASHER-PLN-S364080013	1	1	1		
11	40029040	NUT-HEX SMALL-S313080013	2	2	2		



# MUFFLER

FIG. 2-4

G. 150



# MUFFLER

A-C3030, B-C3035, C-C3040

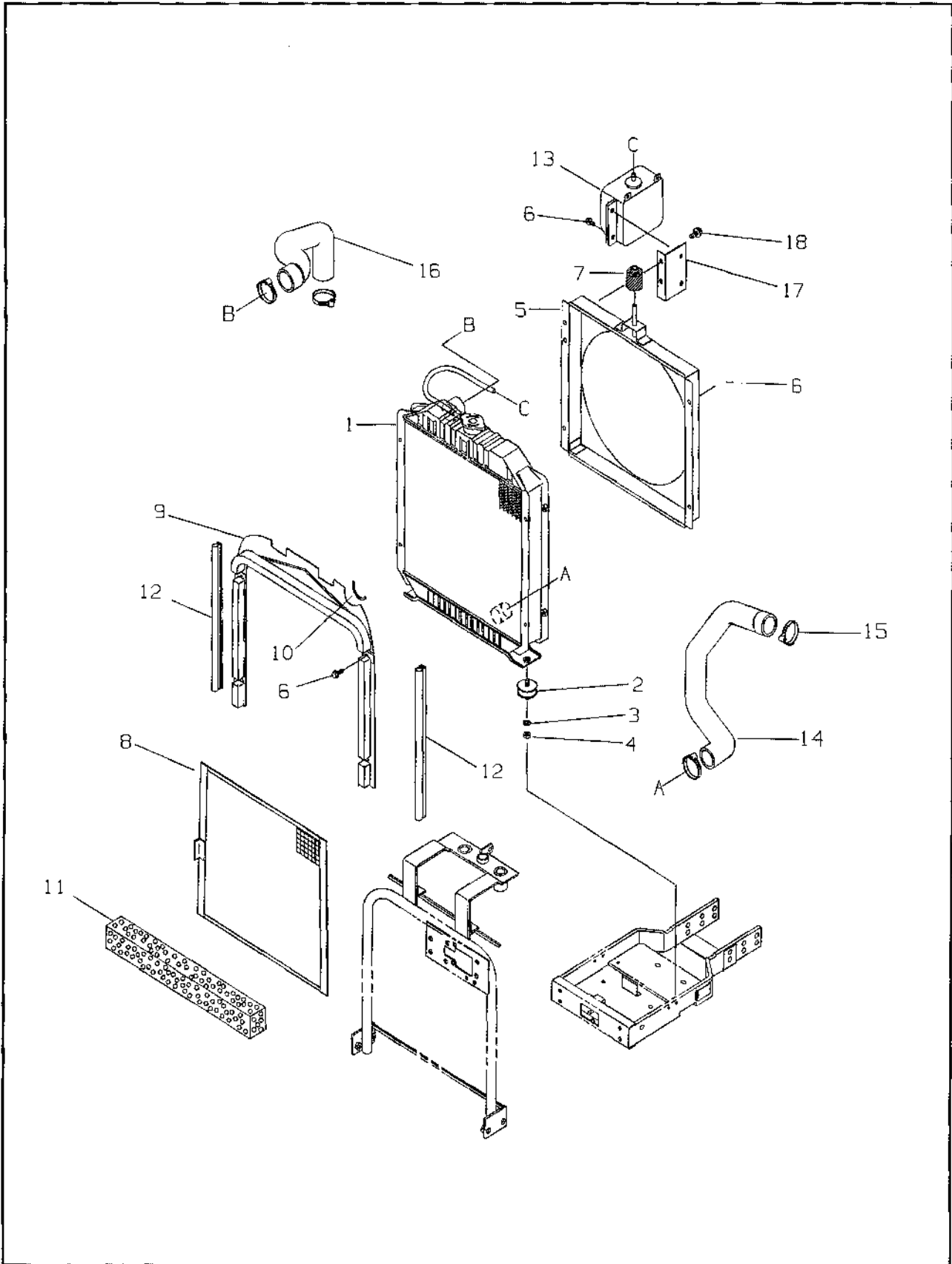
**FIG. 2-4**

NO.	PART NO.	PART NAME & DESCRIPTION	QTY			APP.NO	REM.
			A	B	C		
1	40010882	MUFFLER-TRG150	1	1	1		
2	40011077	MUFFLER-TRG150	1	1	1		
3	40010972	COVER-MUFFLER-TRG150	1	1	1		
4	40028996	BOLT-HEX W/WS-S159061233	4	4	4		M6x1.0Px12L
5	40029075	NUT-FLANGE-S345080013	4	4	4		M8x1.25P
6	40006941	GASKET-MUFFLER-TRG150	1	1	1		
7	40029546	WASHER-SPR-S361080013	4	4	4		

# RADIATOR

FIG. 2-5

G. 170



# RADIATOR

A-C3030, B-C3035, C-C3040

**FIG. 2-5**

NO.	PART NO.	PART NAME & DESCRIPTION	QTY			APP. NO	REM.
			A	B	C		
1	40007615	RADIATOR-4ROW-TRG170	1	1	1		
2	40007459	RUBBER-DAMPING-TRG970	2	2	2		
3	40029549	WASHER-SPR-S361100013	2	2	2		
4	40029047	NUT-HEX SMALL-S314100013	2	2	2		
5	40011234	SHROUD-FAN-TRG170	1	1	1		
6	40029008	BOLT-HEX WWS-S159082533	9	9	9		
7	40007531	RUBBER-CUSHION-TRG970	1	1	1		
8	40011143	NET-RADIATOR-TRG170	1	1	1		
9	40006961	RAD/PLATE ASSY-SPONGE-G170	1	1	1		
10	40012013	CLAMP-HOSE-TRG970	1	1	1		
11	40006890	SPONGE-RAD/AIR SEAL-TRG170	1	1	1		
12	40007482	WEATHER STRIP-RADIATOR-TRG170	2	2	2		
13	40008309	TANK-RESERVOIR-TRG170	1	1	1		
14	40007252	HOSE-RADIATOR OUTLET-TRG170	1	1	1		
15	40012012	CLAMP-HOSE-TRG970	3	3	3		
16	40007253	HOSE-RADIATOR INLET-TRG170	1	1	1		
17	40012508	BRACKET-RESERVOIR TANK-TRG170	1	1	1		
18	40028971	BOLT-HEX WWS-S155082033	2	2	2		

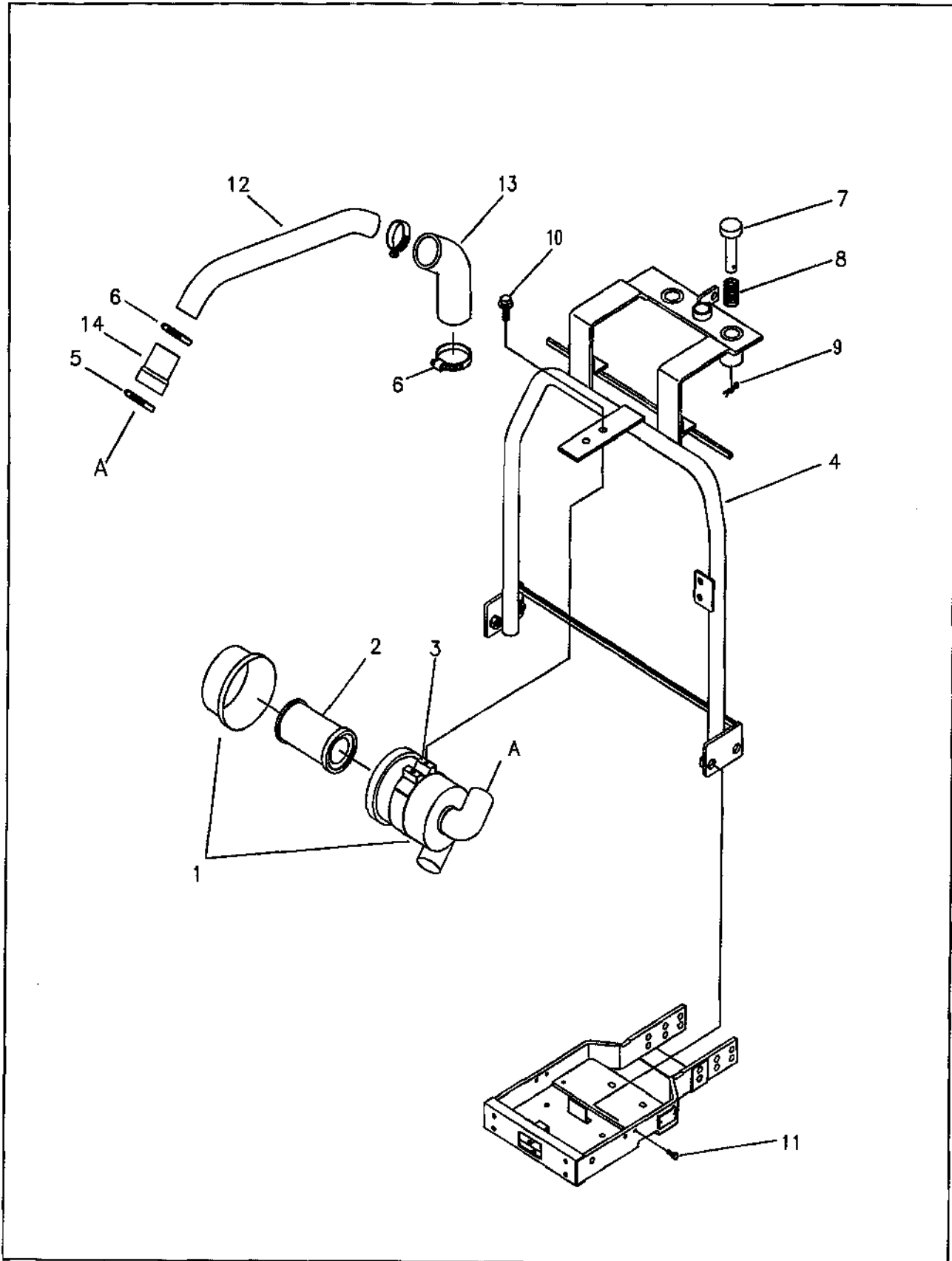
04-05-01

00

# AIR CLEANER

FIG. 2-6A

G. 190



06-04-01

00

# AIR CLEANER

A-C3030, B-C3035, C-C3040

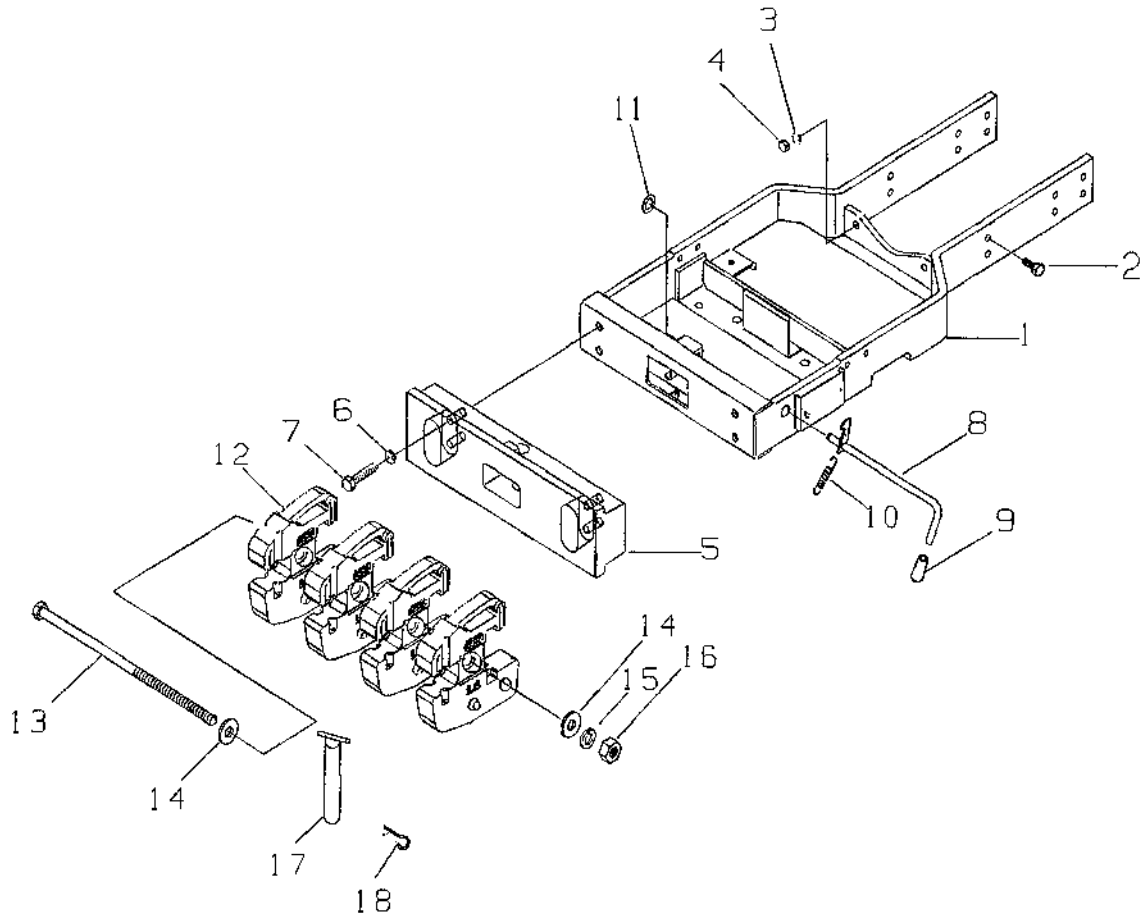
**FIG. 2-6A**

NO.	PART NO.	PART NAME & DESCRIPTION	QTY			APP.NO	REM.
			A	B	C		
1-3	40007888	AIR CLEANER-6INCH-TRG190	1	*	1		
1	*	AIR CLEANER-TRG190	1	*	1		
2	40007575	ELEMENT-PRIMARY-TRG190	1	*	1		
3	40011733	BAND-AIR CLEANER-TRG190	1	*	1		
4	40011201	SUPPORT-AIR CLEANER-TRG190	1	*	1		
5	40012016	CLAMP-HOSE-TRG970	1	*	1		
6	40012014	CLAMP-HOSE-TRG970	3	*	3		
7	40007537	DAMPER-DOOR-TRG830	2	*	2		
8	40012766	SPRING-A0690127	2	*	2		
9	40029133	PIN-SNAP-S443120013	2	*	2		
10	40028971	BOLT-HEX W/WS-S155082033	2	*	2		
11	40028950	BOLT-HEX W/WS-S154103533	4	*	4		
12	40012113	PIPE-AIR INTAKE-TRG190	1	*	1		
13	40007424	HOSE-AIR INTAKE-TRG190	1	*	1		
14	40007425	HOSE-AIR INTAKE-TRG190	1	*	1		

# ENGINE FRAME

FIG. 2-7A

G. 210, 215



# ENGINE FRAME

A-C3030, B-C3035, C-C3040

FIG. 2-7A

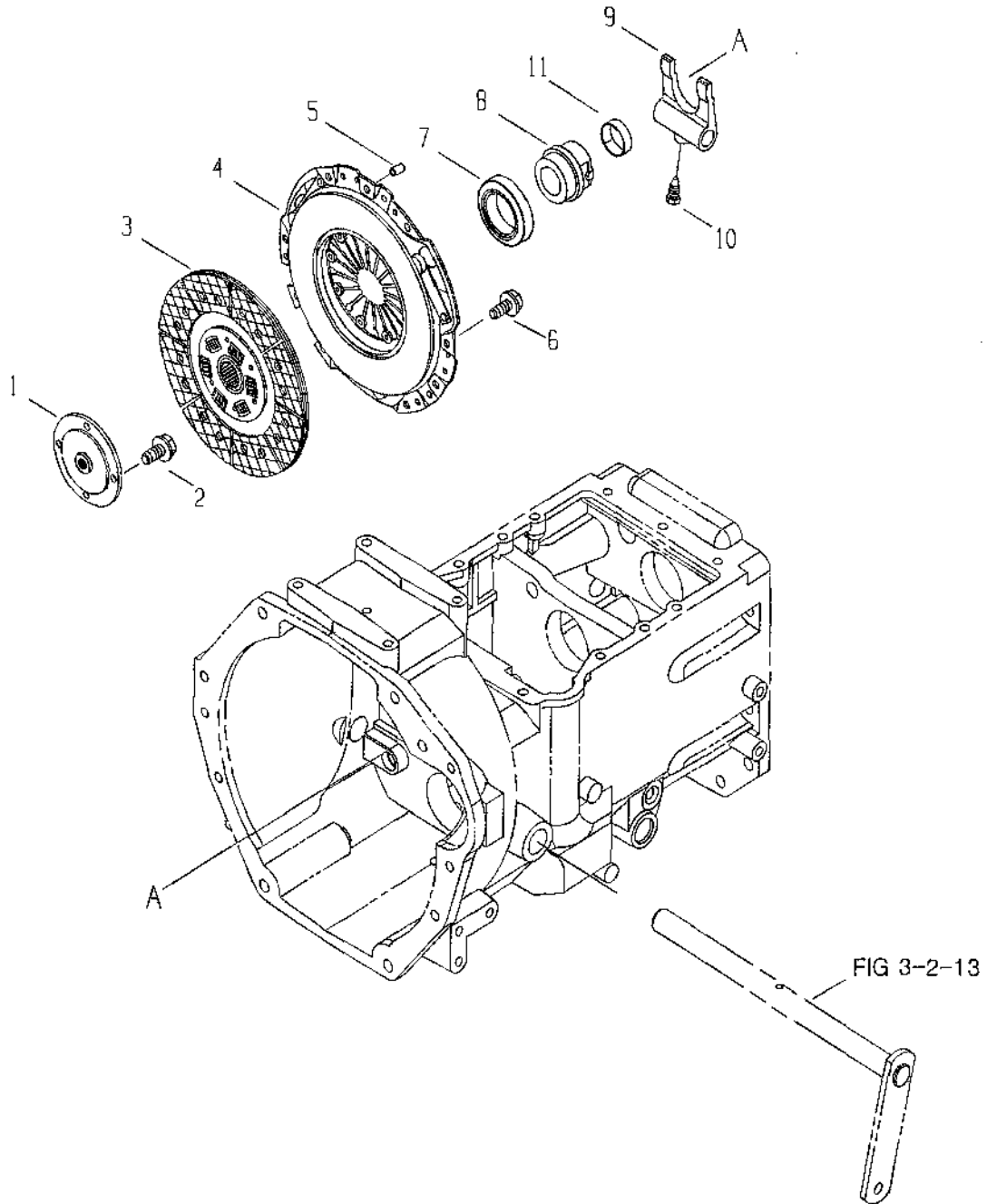
NO.	PART NO.	PART NAME & DESCRIPTION	QTY			APP.NO	REM.
			A	B	C		
1	40010914	FRAME-ENGINE-TRG210	1	1	1		
2	40028959	BOLT-HEX WWS-S154123533	12	12	12		
3	40029551	WASHER-SPR-S361120013	2	2	2		
4	40029049	NUT-HEX SMALL-S314120013	2	2	2		
5	40006709	WEIGHT-BUMPER-TRG215	1	1	1		
6	40029553	WASHER-SPR-S361140013	4	4	4		
7	40029472	BOLT-HEX-S103149043	4	4	4		
8	40011754	HOOK-GRILLE-TRG830	1	1	1		
9	40012880	GRIP-A0710037	1	1	1		
10	40009898	SPRING-TRG830	1	1	1		
11	40029259	RING-SNAP-S810012001	1	1	1		
12	40006713	WEIGHT-FRONT-TRG215	4	4	4		OPT
13	40009540	BOLT-HEX-TRG215	1	1	1		OPT
14	40012107	WASHER-STOP-TRG215	2	2	2		OPT
15	40029555	WASHER-SPR-S361150013	1	1	1		OPT
16	40029052	NUT-HEX SMALL-S314160013	1	1	1		OPT
17	40011968	PIN-FRONT HOOK-TRG215	1	1	1		OPT
18	40009876	PIN-SNAP-TRG970	1	1	1		OPT



# CLUTCH

FIG. 3-1

G. 250



# CLUTCH

A-C3030, B-C3035, C-C3040

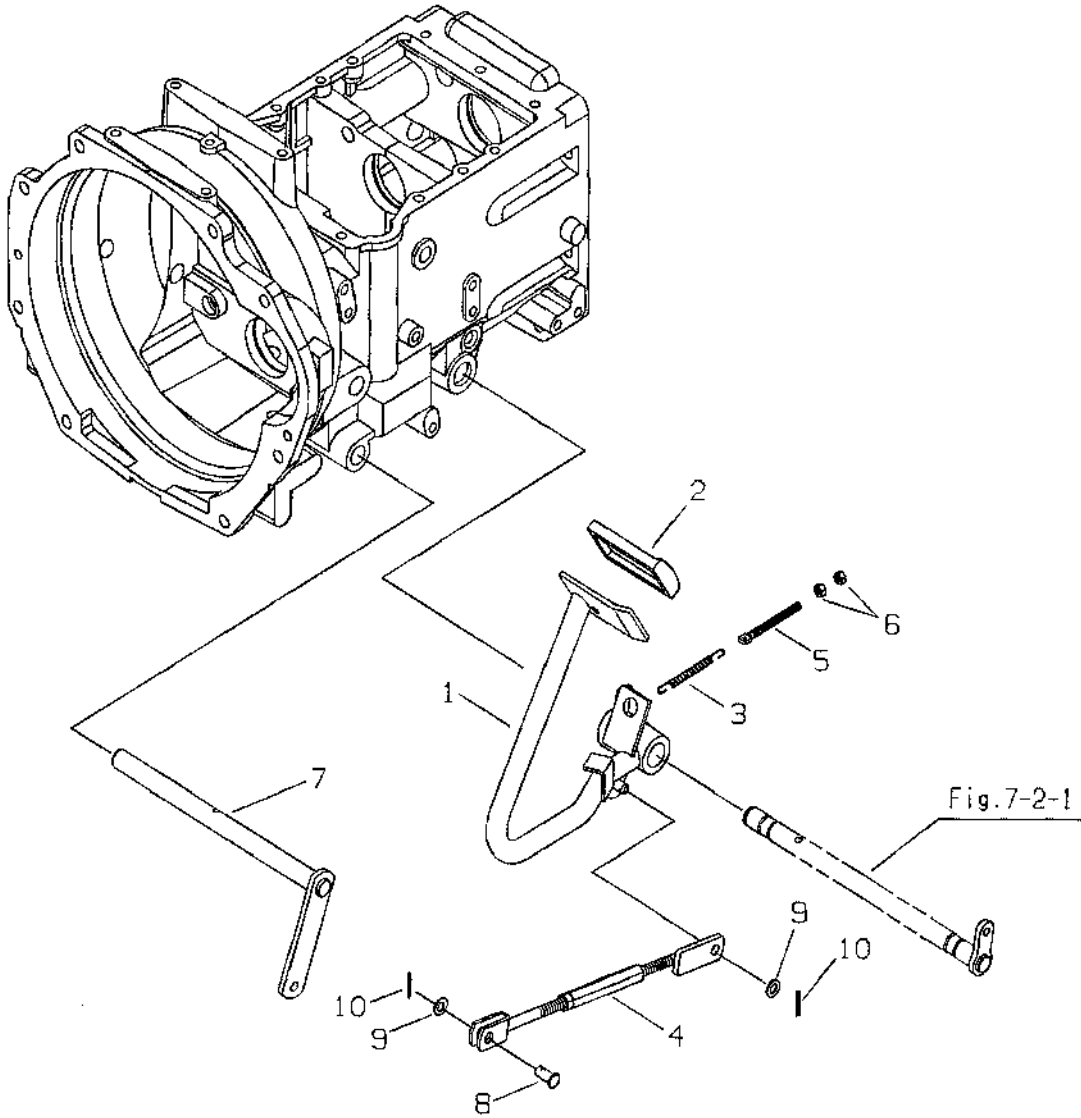
**FIG. 3-1**

NO.	PART NO.	PART NAME & DESCRIPTION	QTY			APP.NO	REM.
			A	B	C		
1	40009614	SLEEVE-FLY WHEEL-TRG281	1	*	1		
2	40028948	BOLT-HEX W/WS-S154102533	4	*	4		
3-4	40007862	CLUTCH ASSY-TRG250	1	1	1		
3	40007678	DISK ASSY-CLUTCH-TRG250	1	1	1		
4	40007595	COVER ASSY-CLUTCH-TRG250	1	1	1		
5	40029101	PIN-PAR-S423081610	3	3	3		
6	40028923	BOLT-HEX W/WS-S153082533	6	6	6		
7	40007837	BEARING-RELEASE-TRG250	1	1	1		
8	40009746	HUB-RELEASE BEARING-TRG250	1	1	1		
9	40010337	LEVER-CLUTCH SHIFT-TRG250	1	1	1		
10	40010190	BOLT-LOCKING-TRG250	1	1	1		
11	40007822	BUSHING-SELF LUB-TRG250	1	1	1		

# CLUTCH PEDAL

FIG. 3-2

G. 260



06-04-01

01

# CLUTCH PEDAL

A-C3030, B-C3035, C-C3040

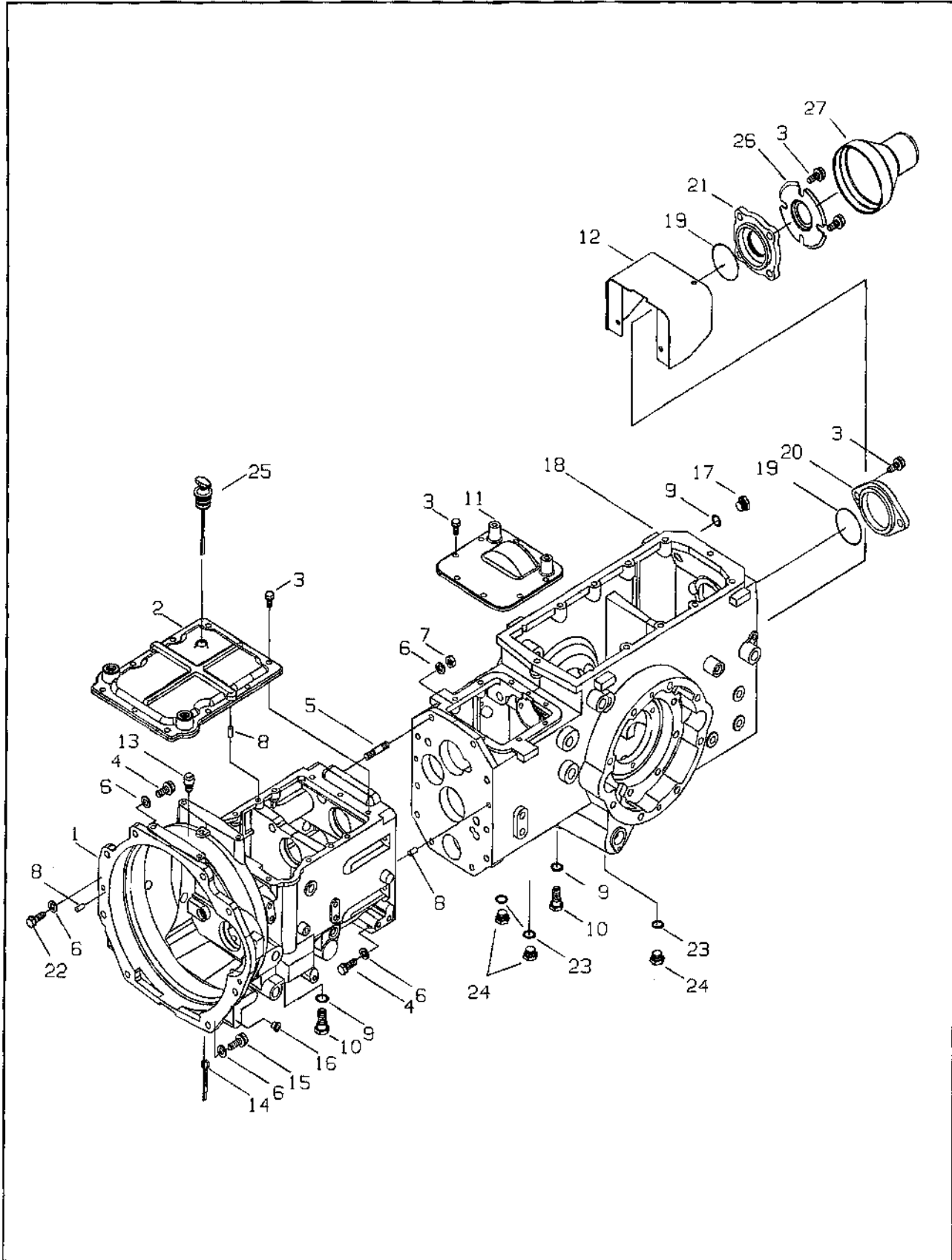
FIG. 3-2

NO.	PART NO.	PART NAME & DESCRIPTION	QTY			APP.NO	REM.
			A	B	C		
1	40011244	PEDAL-CLUTCH-TRG260	1	1	1		
2	40007382	PAD-PEDAL-TRG670	1	1	1		
3	40011961	SPRING-TRG260	1	1	1		
4	40036101	LINK ASSY-CLUTCH-TRG260	1	1	1		
5	40012138	BOLT-ADJUST-TRG260	1	1	1		
6	40028721	NUT-HEX 1 TY-S301080043	2	2	2		
7	40012570	SHAFT-CLUTCH LEVER-TRG260	1	1	1		
8	40029108	PIN-HEAD-S427102013	1	1	1		
9	40028171	WASHER-PLN-S364100013	2	2	2		
10	40029121	PIN-SPLIT-S441252013	2	2	2		

# TRANSMISSION CASE

FIG. 3-4B

G. 250, 280



# TRANSMISSION CASE

A-C3030, B-C3035, C-C3040

FIG. 3-4B

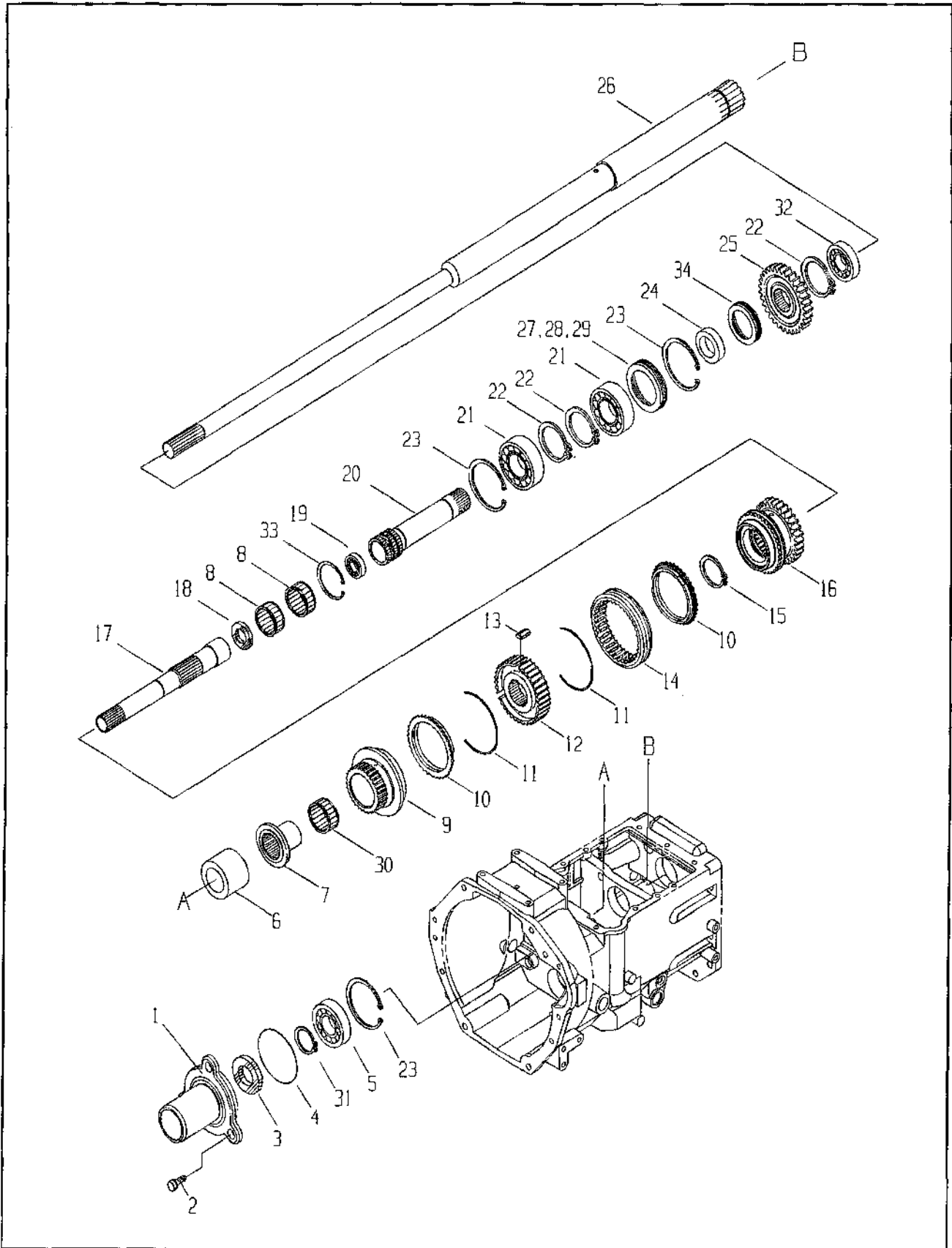
( INDP, PTO1 )

NO.	PART NO.	PART NAME & DESCRIPTION	QTY			APP.NO	REM.
			A	B	C		
1	20020403	HOUSING-CLUTCH-TRG250	1	*	1		
2	40009019	COVER-CLUTCH HSG-TRG292	1	*	1		
3	40028948	BOLT-HEX WWS-S154102533	24	*	24		
4	40028871	BOLT-HEX-S105123543	14	*	14		
5	40028903	BOLT-STUD-S139123523	2	*	2		
6	40029551	WASHER-SPR-S361120013	19	*	19		
7	40028771	NUT-HEX 2 TY-S305120013	2	*	2		
8	40029102	PIN-PAR-S423102010	6	*	6		
9	40012421	SEAL-PLUG-TRG250	3	*	3		
10	40012624	PLUG-DRAIN-TRG250	2	*	2		
11	40009431	COVER-AXLE CASE-TRG280	1	*	1		
12	40049470	SHIELD-PTO-TRG280	1	*	1		
13	40009792	PLUG-AIR BENT-TRG250	1	*	1		
14	40012217	PIN-SPLIT-TRG250	1	*	1		
15	40028873	BOLT-HEX-S105124543	2	*	2		
16	40007322	PLUG-RUBBER-TRG970	6	*	6		
17	40012897	PLUG-DRAIN-A0610281	1	*	1		
18	20020406	CASE-AXLE-TRG280	1	*	1		
19	40029254	O-RING-S804070010	2	*	2		
20	40009839	COVER-PTO DRV SHAFT-TRG280	1	*	1		
21	40010164	COVER-PTO SHAFT-TRG280	1	*	1		
22	40028875	BOLT-HEX-S105125543	1	*	1		
23	40012781	GASKET-Q0650006	3	*	3		
24	40009940	PLUG-DRAIN-TRG280	3	*	3		
25	40007442	GAUGE-OIL LEVEL-TRG280	1	*	1		
26	40011812	GUIDE-PTO COVER-TRG280	1	*	1		
27	40012874	COVER-A05171520	1	*	1		

# MAIN SHAFT

FIG. 3-5B

G. 281



06-04-01

00

# MAIN SHAFT

A-C3030, B-C3035, C-C3040

FIG. 3-5B

( INDP, PTO1 )

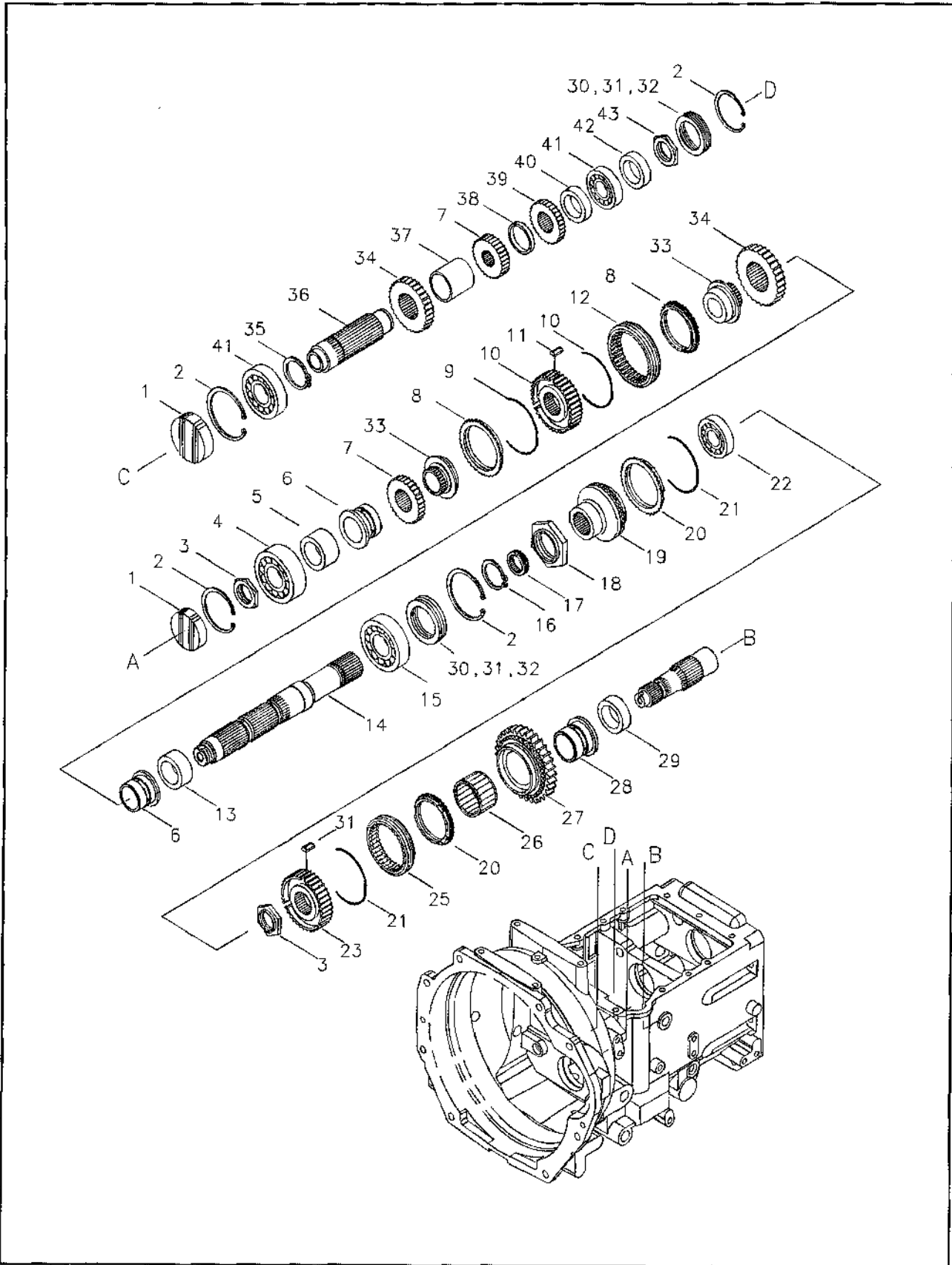
NO.	PART NO.	PART NAME & DESCRIPTION	QTY			APP. NO	REM.
			A	B	C		
1	40010257	COVER-MAIN SHAFT-TRG280	1	*	1		
2	40028947	BOLT-HEX W/WS-S154102033	3	*	3		
3	40012692	SEAL-OIL-A0651302	1	*	1		
4	40029252	O-RING-S804060010	1	*	1		
5	40012706	BEARING-BALL-A0862060	1	*	1		
6	40010046	SPACER-TRG281	1	*	1		
7	40010083	SLEEVE-TRG281	1	*	1		
8	40007820	BEARING-NEEDLE ROLLER-TRG281	2	*	2		
9	40009135	GEAR-M/SHIFT-TRG281	1	*	1		
10	40009141	RING-SYNCHRONIZER-TRG281	2	*	2		
11	40012536	SPRING-TRG281	2	*	2		
12	40009428	HUB-SHIFT-TRG281	1	*	1		
13	40009946	PIECE-TRG281	3	*	3		
14	40009384	SLEEVE-SHIFT-TRG281	1	*	1		
15	40029274	RING-SNAP-S810032001	1	*	1		
16	40009153	GEAR-M/SHIFT DRV-TRG281	1	*	1		
17	40009405	SHAFT-M/SHIFT-TRG281	1	*	1		
18	40012689	SEAL-OIL-A0651201	1	*	1		
19	40012722	BEARING-BALL-A0868040	1	*	1		
20	40009408	SHAFT-REVERSE DRV-TRG281	1	*	1		
21	40012725	BEARING-BALL-A0869080	2	*	2		
22	40029277	RING-SNAP-S810040001	3	*	3		
23	40029299	RING-SNAP-S811062001	3	*	3		
24	40010077	SPACER-TRG281	1	*	1		
25	40009590	GEAR-F/R DRV-TRG281	1	*	1		
26	40009022	SHAFT-MAIN PTO-TRG283	1	*	1		
27	40012834	LINER-A0870481	1	*	1		
28	40012835	LINER-A0870482	1	*	1		
29	40012948	LINER-A0870485	1	*	1		
30	40009699	BEARING-NEEDLE-TRG970	1	*	1		
31	40029273	RING-SNAP-S810030001	1	*	1		
32	40012723	BEARING-BALL-A0868041	1	*	1		
33	40029292	RING-SNAP-S811032001	1	*	1		
34	40012828	LINER-A0870461	2	*	2		
	40012829	LINER-A0870462	1	*	1		



# MAIN GEAR SHAFT

FIG. 3-6A

G. 281



# MAIN GEAR SHAFT

A-C3030, B-C3035, C-C3040

FIG. 3-6A

NO.	PART NO.	PART NAME & DESCRIPTION	QTY			APP.NO	REM.
			A	B	C		
1	40007516	CAP-DRVN SHAFT-TRG283	D62	2	*	2	
2	40029299	RING-SNAP-S811062001	D66.2x2t	4	*	4	
3	40009934	NUT-LOCK-TRG281	M25x1.5	2	*	2	
4	40012706	BEARING-BALL-A0862060	#6206	1	*	1	
5	40009702	SPACER-TRG281	OD45xID33x30	1	*	1	
6	40010230	SLEEVE-TRG281		2	*	2	
7	40010113	GEAR-M/SHIFT-TRG281		2	*	2	
8	40009141	RING-SYNCHRONIZER-TRG281		2	*	2	
9	40012536	SPRING-TRG281		2	*	2	
10	40009428	HUB-SHIFT-TRG281		1	*	1	
11	40009946	PIECE-TRG281		3	*	3	
12	40009384	SLEEVE-SHIFT-TRG281		2	*	2	
13	40009704	SPACER-TRG281	OD33xID45x30	1	*	1	
14	40009267	SHAFT-M/SHIFT 3RD-TRG281		1	*	1	
15	40012916	BEARING-BALL-A0860070	#6007(OD62xID35x14)	1	*	1	
16	40029274	RING-SNAP-S810032001	D29.6x1.2t	1	*	1	
17	40010070	SLEEVE-TRG281		1	*	1	
18	40012790	NUT-LOCK-A0610282	M42x1.5	1	*	1	
19	40009303	HUB-SYNC CLUTCH-TRG281	D85x65	1	*	1	
20	40009156	RING-SYNCHRONIZER-TRG281		2	*	2	
21	40012135	SPRING-SYNCHRONIZER-TRG281		2	*	2	
22	40012696	BEARING-BALL-A0860040	#6004(OD42xID20x12)	1	*	1	
23	40009380	HUB-SHIFT-TRG281		1	*	1	
24	40009844	STRUT-SYNC-TRG281		3	*	3	
25	40009053	SLEEVE-SHIFT-TRG281		1	*	1	
26	40009699	BEARING-NEEDLE-TRG970	OD45xID40x27	1	*	1	
27	40009224	GEAR-F/R DRVN-TRG281		1	*	1	
28	40010338	SLEEVE-GEAR-TRG281		1	*	1	
29	40009705	SPACER-TRG281	OD45xID35x9.5	1	*	1	
30	40012834	LINER-A0870481	OD50xID61x0.15t	AR	*	AR	
31	40012835	LINER-A0870482	OD50xID61x0.2t	AR	*	AR	
32	40012948	LINER-A0870485	OD50xID61x0.5t	AR	*	AR	
33	40009379	SLEEVE-W/SYNC-TRG281		2	*	2	
34	40009800	GEAR-M/SHIFT-TRG281		2	*	2	
35	40029280	RING-SNAP-S810050001	ID50x2t	1	*	1	
36	40009427	SHAFT-M/SHIFT 2ND-TRG281		1	*	1	
37	40010297	SPACER-TRG281	OD57x1Dx50x44.5L	1	*	1	
38	40010240	SPACER-TRG281	OD57x1D 50x7L	1	*	1	
39	40009771	GEAR-M/SHIFT-TRG281		1	*	1	
40	40010238	SPACER-TRG281	OD52x1D 40x11.8L	1	*	1	
41	40012725	BEARING-BALL-A0869080		2	*	2	
42	40010079	SPACER-TRG281	OD48x1D 40x11.8L	1	*	1	
43	40009936	NUT-LOCK-TRG287	M35x1.5	1	*	1	

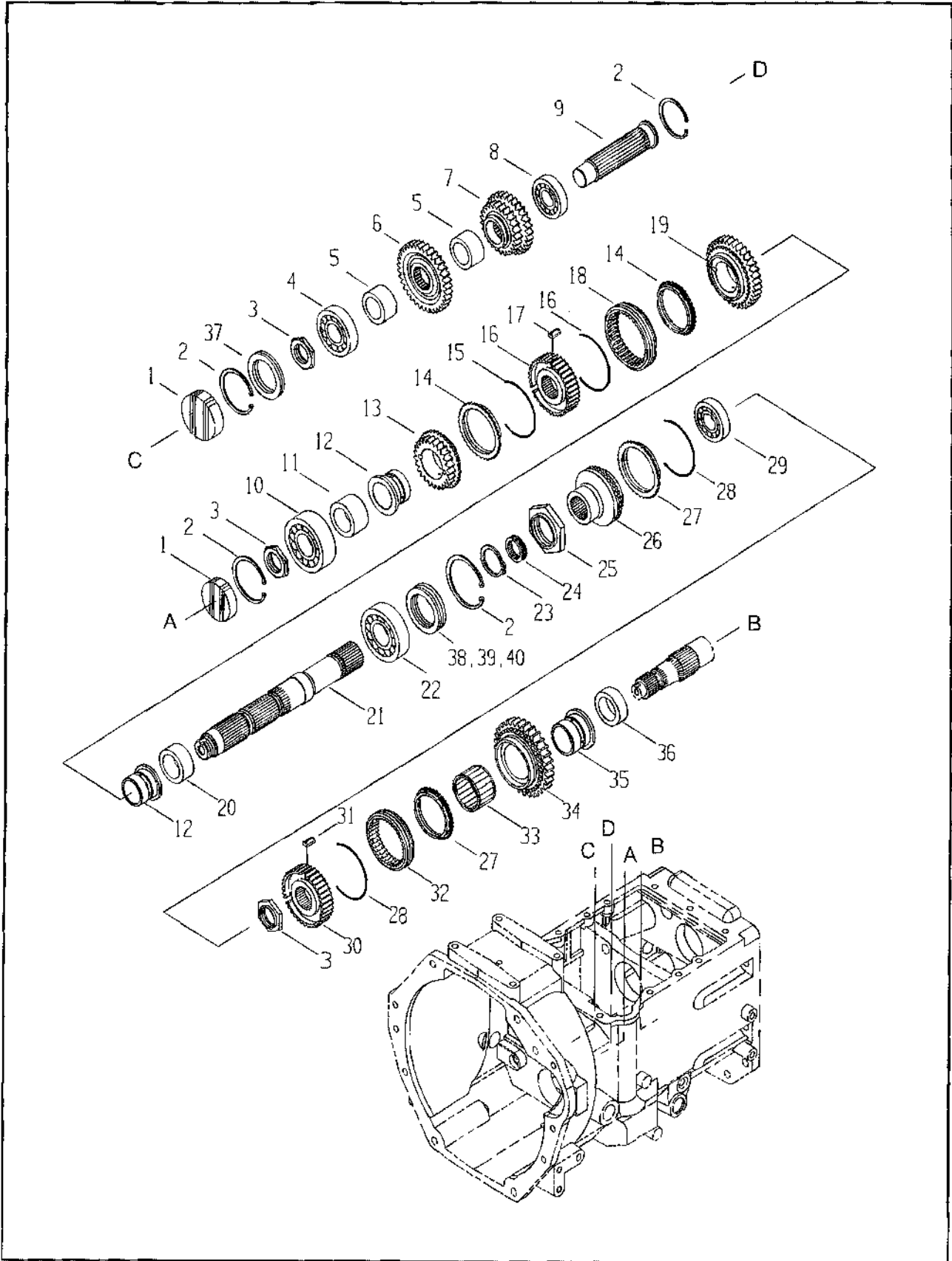
06-04-01

00

# MAIN GEAR SHAFT

FIG. 3-6B

G. 281



# MAIN GEAR SHAFT

A-C3030, B-C3035, C-C3040

FIG. 3-6B

NO.	PART NO.	PART NAME & DESCRIPTION	QTY			APP. NO	REM.
			A	B	C		
1	40007516	CAP-DRVN SHAFT-TRG283	D62	* 2	*		
2	40029299	RING-SNAP-S811062001	D66.2x2t	* 4	*		
3	40009934	NUT-LOCK-TRG281	M25x1.5	* 2	*		
4	40012715	BEARING-BALL-A0863050	#0863	* 1	*		
5	40009688	SPACER-TRG281	OD42.7xID30X32	* 2	*		
6	40009799	GEAR-M/SHIFT-TRG281		* 1	*		
7	40009151	GEAR-M/SHIFT-TRG281		* 1	*		
8	40012706	BEARING-BALL-A0862060	#6206	* 1	*		
9	40009103	SHAFT-M/SHIFT 2ND-TRG281		* 1	*		
10	40012706	BEARING-BALL-A0862060	#6206(OD62xID30x18)	* 1	*		
11	40009702	SPACER-TRG281	OD45xID33x30	* 1	*		
12	40010230	SLEEVE-TRG281		* 2	*		
13	40009142	GEAR-M/SHIFT DRVN-TRG281		* 1	*		
14	40009141	RING-SYNCHRONIZER-TRG281		* 2	*		
15	40012536	SPRING-TRG281		* 2	*		
16	40009428	HUB-SHIFT-TRG281		* 1	*		
17	40009946	PIECE-TRG281		* 3	*		
18	40009384	SLEEVE-SHIFT-TRG281		* 2	*		
19	40009169	GEAR-M/SHIFT DRVN-TRG281		* 1	*		
20	40009704	SPACER-TRG281	OD33xID45x30	* 1	*		
21	40009267	SHAFT-M/SHIFT 3RD-TRG281		* 1	*		
22	40012916	BEARING-BALL-A0860070	#6007(OD62xID35x14)	* 1	*		
23	40029274	RING-SNAP-S810032001	D29.6x1.2t	* 1	*		
24	40010070	SLEEVE-TRG281		* 1	*		
25	40012790	NUT-LOCK-A0610282	M42x1.5	* 1	*		
26	40009303	HUB-SYNC CLUTCH-TRG281	D85x65	* 1	*		
27	40009156	RING-SYNCHRONIZER-TRG281		* 2	*		
28	40012135	SPRING-SYNCHRONIZER-TRG281		* 2	*		
29	40012696	BEARING-BALL-A0860040	#6004(OD42xID20x12)	* 1	*		
30	40009380	HUB-SHIFT-TRG281		* 1	*		
31	40009844	STRUT-SYNC-TRG281		* 3	*		
32	40009053	SLEEVE-SHIFT-TRG281		* 1	*		
33	40009699	BEARING-NEEDLE-TRG970	OD45xID40x27	* 1	*		
34	40009224	GEAR-F/R DRVN-TRG281		* 1	*		
35	40010338	SLEEVE-GEAR-TRG281		* 1	*		
36	40009705	SPACER-TRG281	OD45xID35x9.5	* 1	*		
37	40012823	LINER-A0870488		* 2	*		
38	40012834	LINER-A0870481	OD50xID61x0.15t	* AR	*		
39	40012835	LINER-A0870482	OD50xID61x0.2t	* AR	*		
40	40012948	LINER-A0870485	OD50xID61x0.5t	* AR	*		

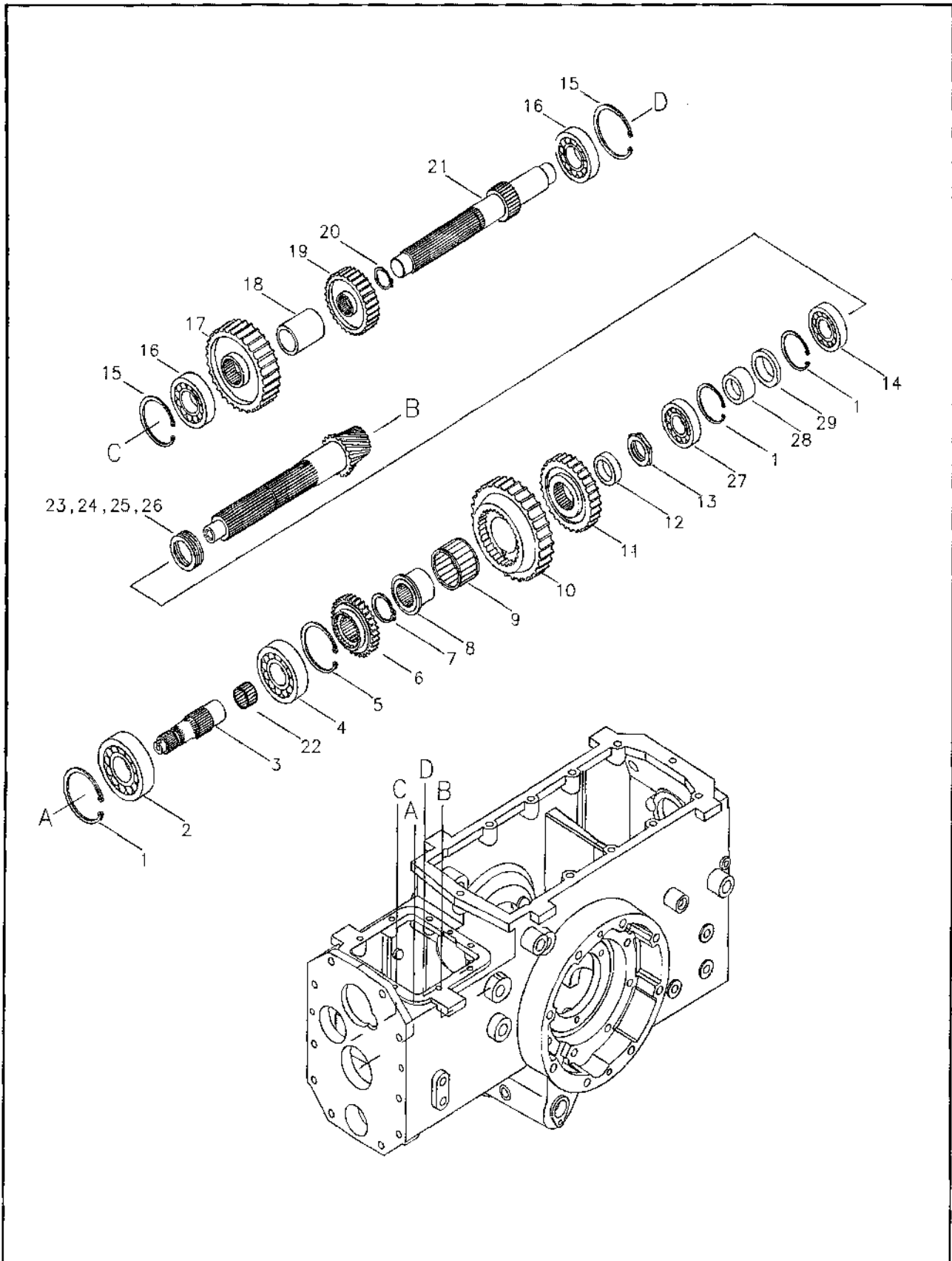
06-04-01

00

# RANGE SHIFT SHAFT

FIG. 3-7B

G. 285



06-04-01

00

# RANGE SHIFT SHAFT

A-C3030, B-C3035, C-C3040

FIG. 3-7B

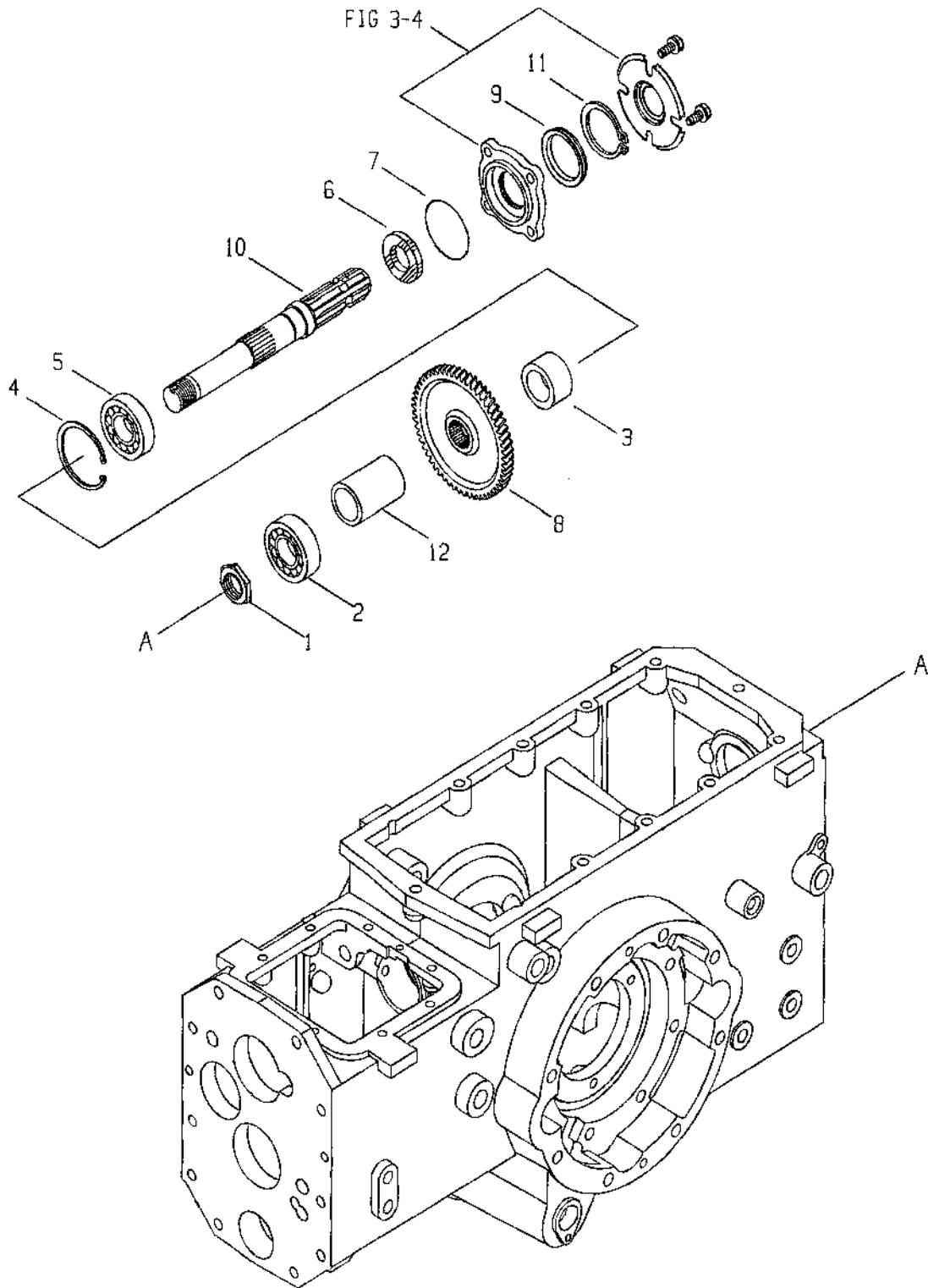
(PT01)

NO.	PART NO.	PART NAME & DESCRIPTION	QTY			APP.NO	REM.	
			A	B	C			
1	40029301	RING-SNAP-S811072001	D76.5x2.5t	3	3	3		
2	40012709	BEARING-BALL-A0862070	#6207(OD72xD35x17)	1	1	1		
3	40009368	SHAFT-RANGE-TRG285		1	1	1		
4	40012698	BEARING-BALL-A0860080	#6008(OD68xD40x15)	1	1	1		
5	40029300	RING-SNAP-S811068001	D72.5x2.5t	1	1	1		
6	40009152	GEAR-RANGE SELECTOR-TRG285		1	1	1		
7	40029274	RING-SNAP-S810032001	D29.6x1.5t	1	1	1		
8	40010082	SLEEVE-F/R-TRG281		1	1	1		
9	40009699	BEARING-NEEDLE-TRG970	OD45xD40x27	1	1	1		
10	40009340	GEAR-LOW DRVN-TRG285		1	1	1		
11	40010245	GEAR-4WD DRV-TRG288		1	1	1		
12	40009705	SPACER-TRG281	OD45xD35x9.5	1	1	1		
13	40009936	NUT-LOCK-TRG287	M35x1.5	1	1	1		
14	40007835	BEARING-TAPER(#32207C)-TRG320	#32207C(OD72xD35x23)	1	1	1		
15	40029299	RING-SNAP-S811062001	D66.2x2t	2	2	2		
16	40012715	BEARING-BALL-A0863050	#6305(OD62xD25x17)	2	2	2		
17	40009063	GEAR-RANGE DRVN-TRG285		1	1	1		
18	40009959	SPACER-TRG285	D30x71.5L	1	1	1		
19	40010122	GEAR-RANGE DRV-TRG285		1	1	1		
20	40029273	RING-SNAP-S810030001	D27.9x1.5t	1	1	1		
21	40009115	SHAFT-RANGE DRV-TRG285		1	1	1		
22	40030211	BEARING-NEEDLE-TRG970	K20x26x20	1	1	1		
23	40012946	LINER-A0870451	OD46xD36x0.15t	1	1	1		
24	40012825	LINER-A0870452	OD46xD36x0.2t	1	1	1		
25	40012826	LINER-A0870455	OD46xD36x0.5t	1	1	1		
26	40012827	LINER-A0870458	OD46xD36x1.0t	1	1	1		
27	40007833	BEARING-TAPER(#30207J)-TRG320		1	1	1		
28	40010116	SPACER-TRG320		1	1	1		
29	40009693	SPACER-TRG320		1	1	1		

# PTO SHAFT

FIG. 3-9B

G. 287



# PTO SHAFT

A-C3030, B-C3035, C-C3040

**FIG. 3-9B**

**(PTO1)**

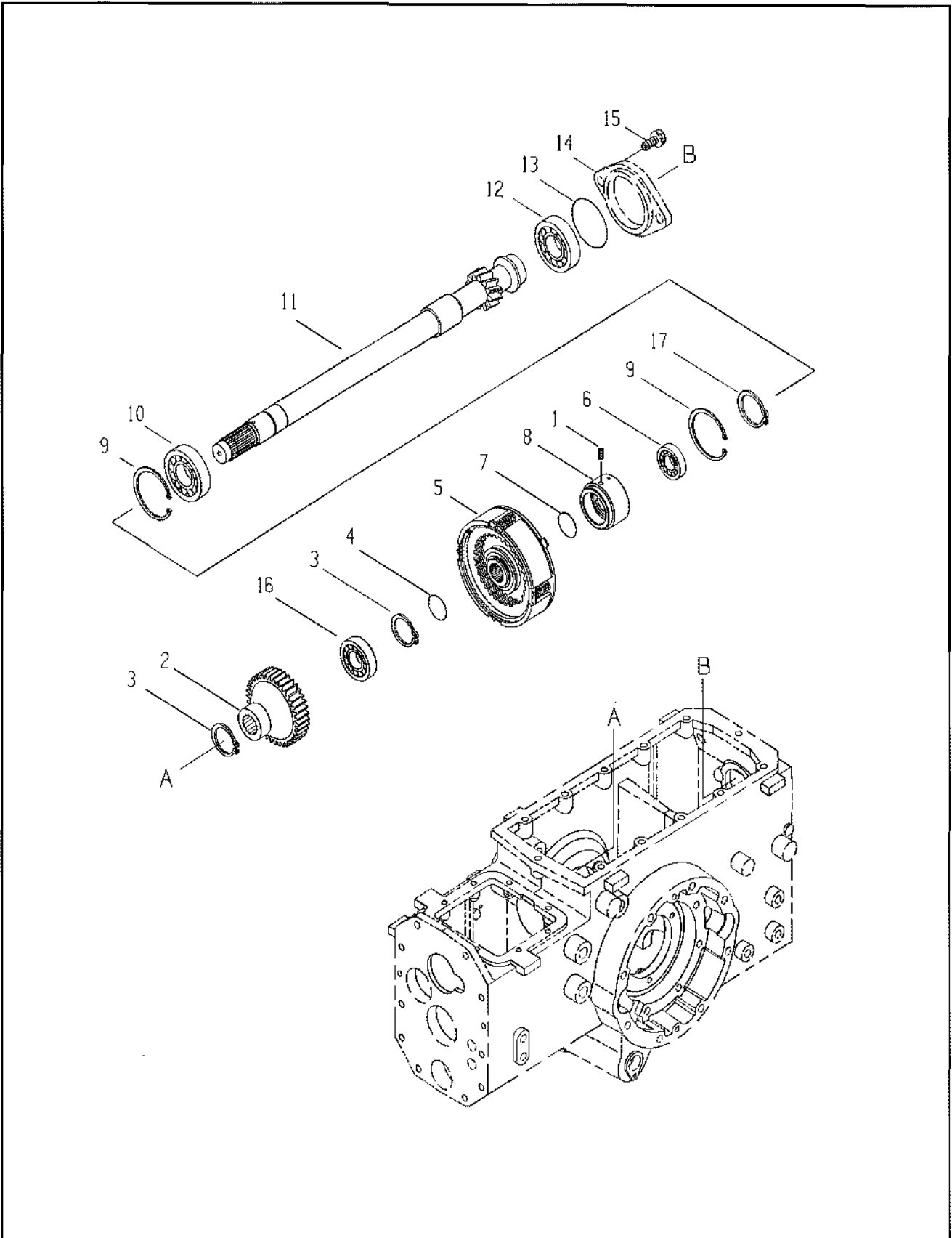
NO.	PART NO.	PART NAME & DESCRIPTION	QTY			APP. NO	REM.
			A	B	C		
1	40009545	NUT-LOCK-TRG287	M30x1.5	1	*	1	
2	40012718	BEARING-BALL-A0863060	#6306(OD72xID30x19)	1	*	1	
3	40010233	SPACER-TRG281	OD50xID33x44.5L	1	*	1	
4	40029301	RING-SNAP-S811072001	D72x2.5t	1	*	1	
5	40012709	BEARING-BALL-A0862070	#6207(OD72xID35x17)	1	*	1	
6	40007917	SEAL-OIL-TRG287	OD62xID40x11.5	1	*	1	
7	40029254	O-RING-S804070010		1	*	1	
8	40009071	GEAR-PTO DRVN 1ST-TRG287		1	*	1	
9	40012824	SEAL-DUST-A0653232		1	*	1	
10	40009365	SHAFT-PTO-TRG287		1	*	1	
11	40029276	RING-SNAP-S810036001		1	*	1	
12	40010059	SPACER-TRG287	OD42xID33x87L	1	*	1	



# PTO DRIVE SHAFT

FIG. 3-10B

G. 283, 287



04-05-01

00

# PTO DRIVE SHAFT

A-C3030, B-C3035, C-C3040

**FIG. 3-10B**

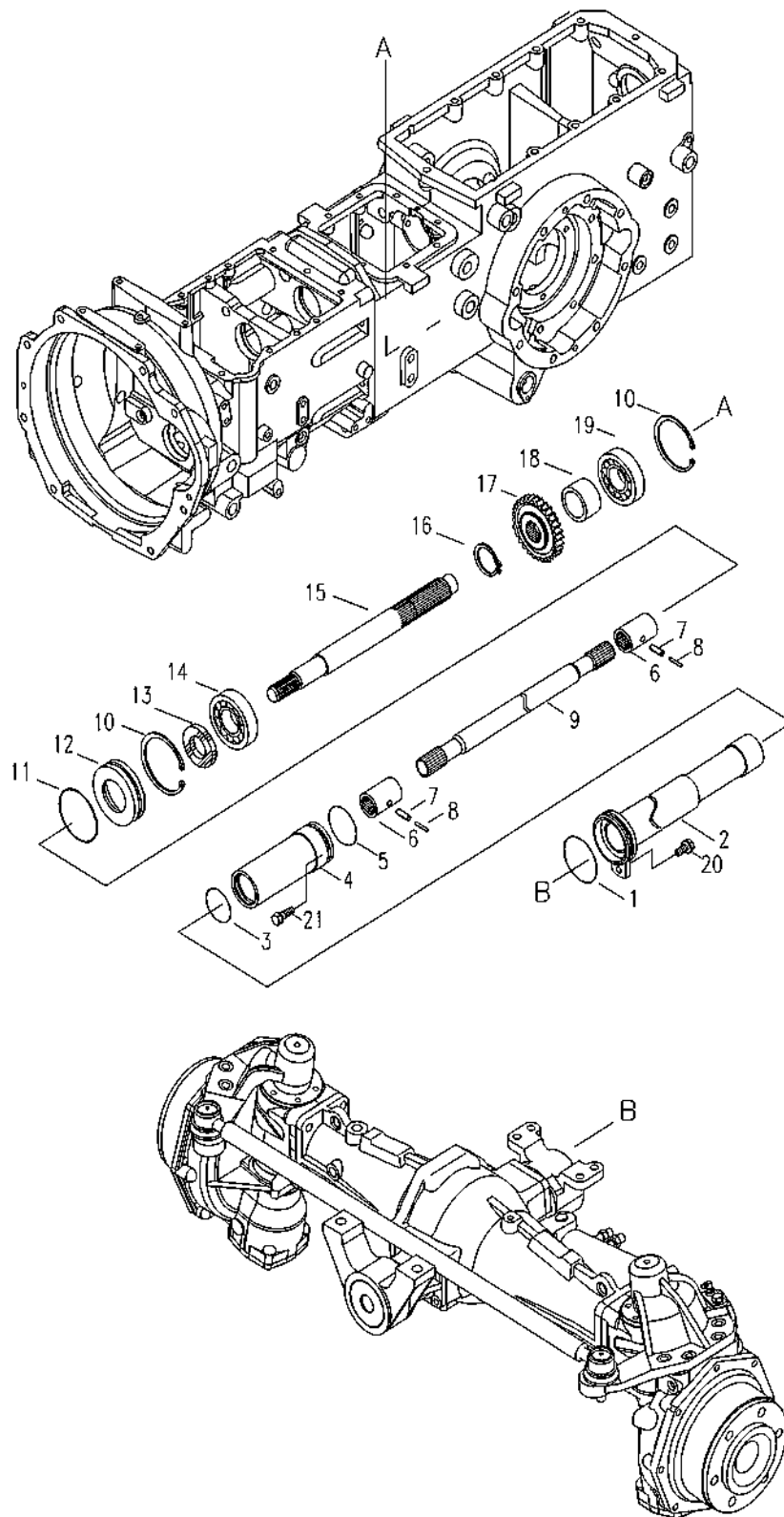
**( INDP, PTO1 )**

NO.	PART NO.	PART NAME & DESCRIPTION	QTY			APP. NO	REM.
			A	B	C		
1	40028583	SCREW-SET SOC-S202082021	M8x1.25x20L	1	*	1	
2	40010298	HUB-PTO CLUTCH-TRG283		1	*	1	
3	40029270	RING-SNAP-S810022001	D22x1.2t	2	*	2	
4	40029242	O-RING-S804020010	S20(D20xW1.5)	1	*	1	
5	40007734	CLUTCH ASSY-PTO-TRG287		1	*	1	
6	40012697	BEARING-BALL-A0860050	#6005(OD47xID25x12)	1	*	1	
7	40012098	RING-SEAL-TRG281	D25x2.5	1	*	1	
8	40009439	SLEEVE-HYD CIRCUIT-TRG283		1	*	1	
9	40029299	RING-SNAP-S811062001	D62x2t	2	*	2	
10	40012715	BEARING-BALL-A0863050	#6305(OD62xID25x17)	1	*	1	
11	40009009	SHAFT-PTO DRV-TRG287		1	*	1	
12	40012718	BEARING-BALL-A0863060	#6306(OD72xID30x19)	1	*	1	
13	40029254	O-RING-S804070010	S70(D70xW2.0)	1	*	1	
14	40009839	COVER-PTO DRV SHAFT-TRG280		1	*	1	
15	40028948	BOLT-HEX WWS-S154102533	M10x1.25x25L	2	*	2	
16	40012696	BEARING-BALL-A0860040	#6004(OD42xID20x12)	1	*	1	
17	40029271	RING-SNAP-S810025001	D25x1.2t	1	*	1	

# FRONT WHEEL DRIVE

FIG. 3-12

G. 288, 380



# FRONT WHEEL DRIVE

A-C3030, B-C3035, C-C3040

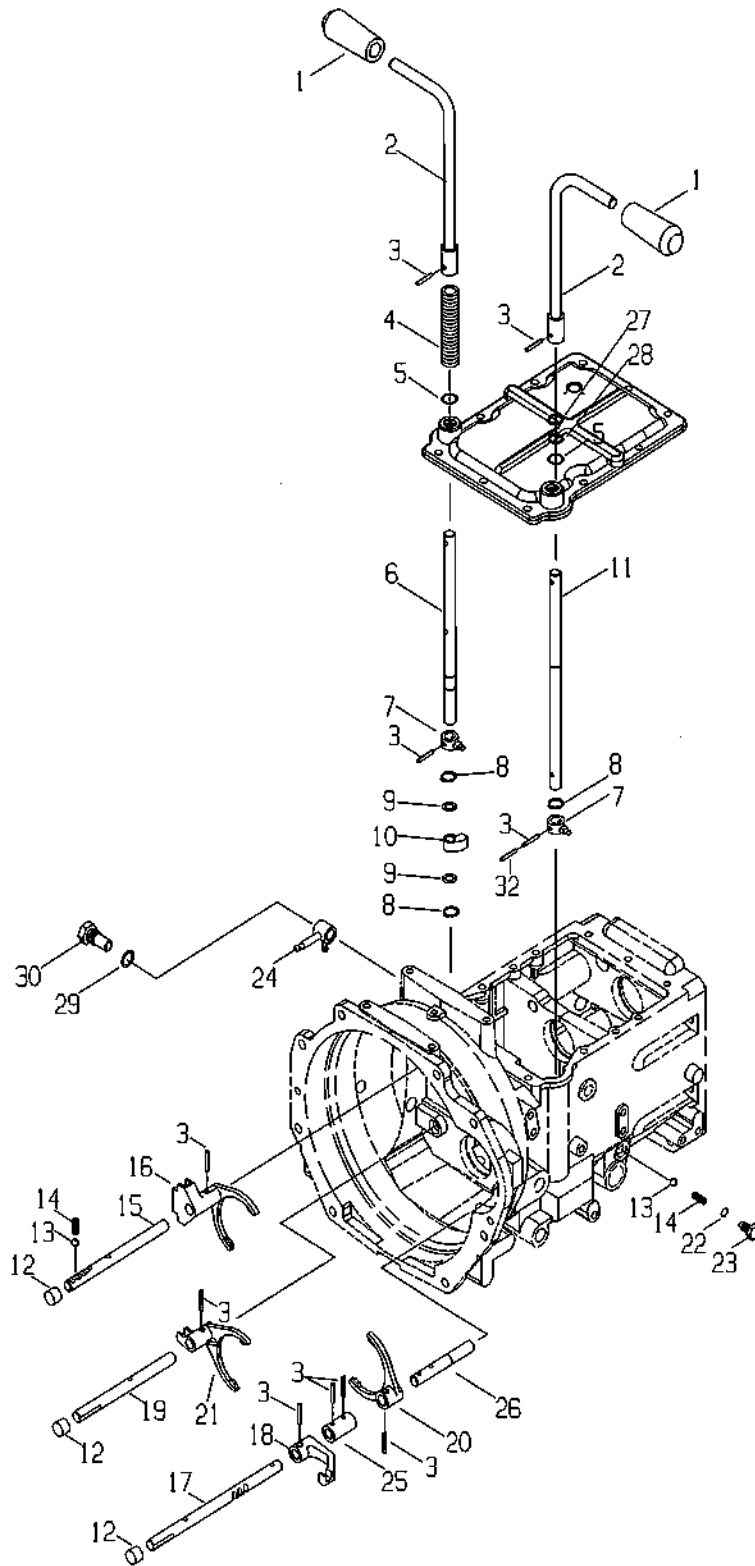
**FIG. 3-12**

NO.	PART NO.	PART NAME & DESCRIPTION	QTY			APP. NO	REM.	
			A	B	C			
1	40029225	O-RING-S802060010	D59.4xW3.1	1	1	1		
2	40012248	COVER-4WD FRONT-TRG380		1	1	1		
3	40029222	O-RING-S802040010	G40(D39.4xW3.1)	1	1	1		
4	40012484	COVER-4WD REAR-TRG380		1	1	1		
5	40029217	O-RING-S801046010	D45.7xW3.5	1	1	1		
6	40010214	JOINT-4WD-TRG288		2	2	2		
7	40029182	PIN-SPRING-S446053210	D5x32	2	2	2		
8	40029153	PIN-SPRING-S446033210	D3x32	2	2	2		
9	40009401	SHAFT-4WD FRONT-TRG288		1	1	1		
10	40029296	RING-SNAP-S811052001	D56.2x2t	2	2	2		
11	40029217	O-RING-S801046010	D45.7xW3.5	1	1	1		
12	40010094	HOUSING-SEAL-TRG288	D52	1	1	1		
13	40012884	SEAL-OIL-A0651253	TC25-3(OD40xID25x8)	1	1	1		
14	40012703	BEARING-BALL-A0862050	#8205(OD52xID25x15)	1	1	1		
15	40009357	SHAFT-4WD-TRG288		1	1	1		
16	40029273	RING-SNAP-S810030001	D27.9x1.5t	1	1	1		
17	40009222	GEAR-4WD DRVN-TRG288		1	1	1		
18	40010027	SPACER-TRG288	OD25xID35x25L	1	1	1		
19	40012705	BEARING-BALL-A0862052	#6205ZZ(OD52xID25x15)	1	1	1		
20	40028923	BOLT-HEX W/WS-S153082533	M8x1.25	1	1	1		
21	40028947	BOLT-HEX W/WS-S154102033	M10x1.25	1	1	1		

# SHIFT LEVER & FORK

FIG. 3-13

G. 290, 292



# SHIFT LEVER & FORK

A-C3030, B-C3035, C-C3040

FIG. 3-13

NO.	PART NO.	PART NAME & DESCRIPTION	QTY			APP.NO	REM.
			A	B	C		
1	40008406	GRIP-PLASTIC-TRG970	2	2	2		
2	40012634	LEVER-SHIFT HAND-TRG292	2	2	2		
3	40029167	PIN-SPRING-S446062510	10	10	10		
4	40011942	SPRING-TRG292	1	1	1		
5	40029204	O-RING-S801016010	2	2	2		
6	40010287	LEVER-M/SHIFT-TRG290	1	1	1		
7	40010262	ARM-M/SHIFT#1-TRG290	2	2	2		
8	40029261	RING-SNAP-S810016001	3	3	3		
9	40012815	WASHER-A0660026	6	6	6		
10	40010261	ADAPTOR-M/SHIFT-TRG290	1	1	1		
11	40009442	LEVER-F/R-TRG290	1	1	1		
12	40012282	CAP-RAIL-TRG290	3	3	3		
13	40010339	BALL-SHIFT FORK-CVG000	2	2	2		
14	40011943	SPRING-TRG290	2	2	2		
15	40010203	RAIL-M/SHIFT#1-TRG290	1	1	1		
16	40009441	FORK-M/SHIFT#1-TRG290	1	1	1		
17	40009344	RAIL-F/R-TRG290	1	1	1		
18	40010166	ADAPTOR-F/R-TRG290	1	1	1		
19	40009633	RAIL-M/SHIFT 2ND-TRG290	1	1	1		
20	40010283	FORK-F/R-TRG290	1	1	1		
21	40009429	FORK-M/SHIFT 2ND-TRG290	1	1	1		
22	40029196	O-RING-S801010A10	1	1	1		
23	40009498	BOLT-RAIL-TRG291	1	1	1		
24	40010310	ARM-M/SHIFT 2ND-TRG290	1	1	1		
25	40009659	JOINT-F/R-TRG290	1	1	1		
26	40010284	RAIL-F/R 2ND-TRG290	1	1	1		
27	40029321	RING-SNAP-S814015001	1	1	1		
28	40028178	WASHER-PLN-S364160013	1	1	1		
29	40012421	SEAL-PLUG-TRG250	1	1	1		
30	40010278	BOLT-ARM SHAFT-TRG290	1	1	1		

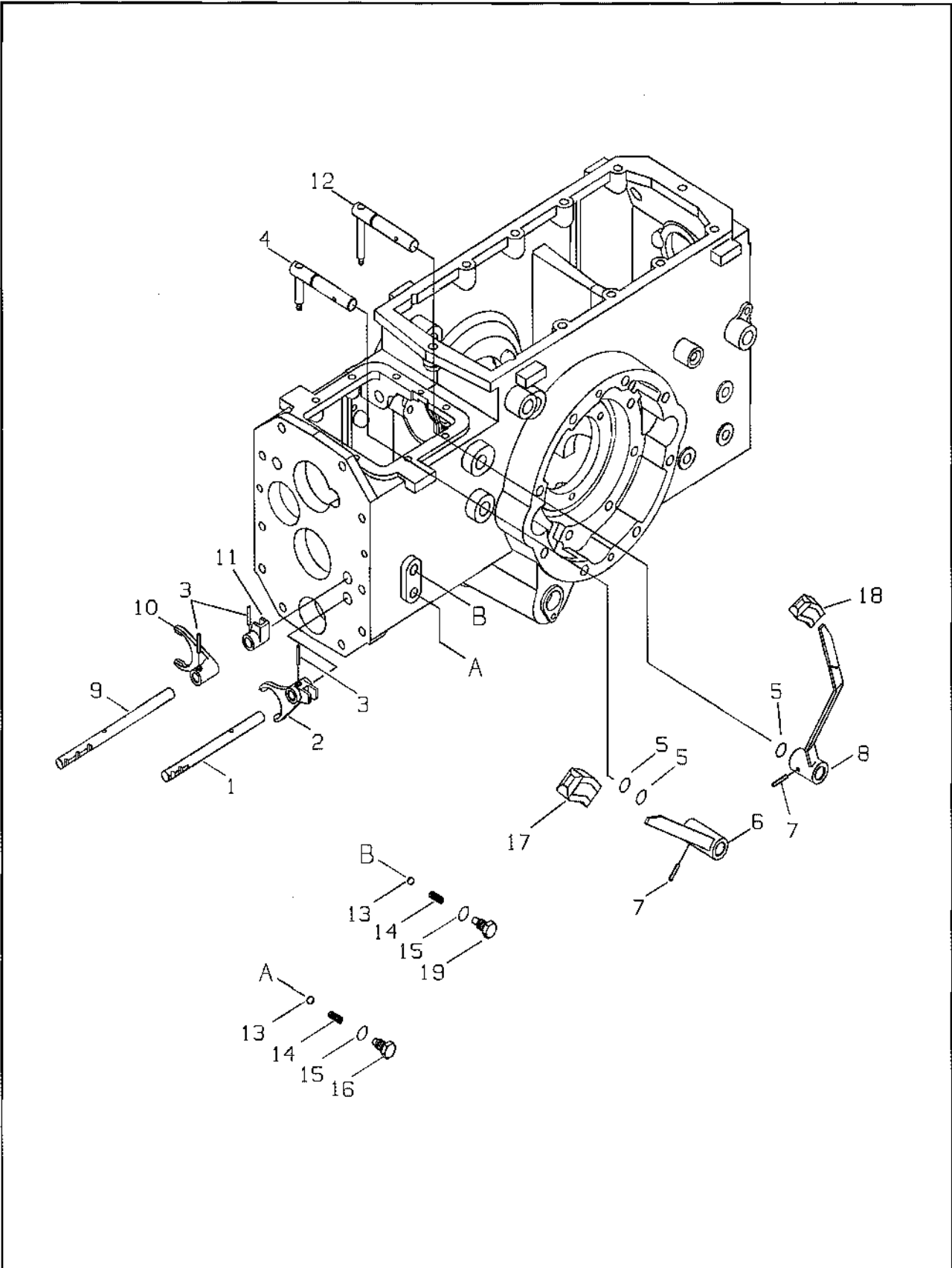
04-05-01

00

# SHIFT LEVER & FORK

FIG. 3-14B

G. 290, 292



# SHIFT LEVER & FORK

A-C3030, B-C3035, C-C3040

FIG. 3-14B

(PTO1)

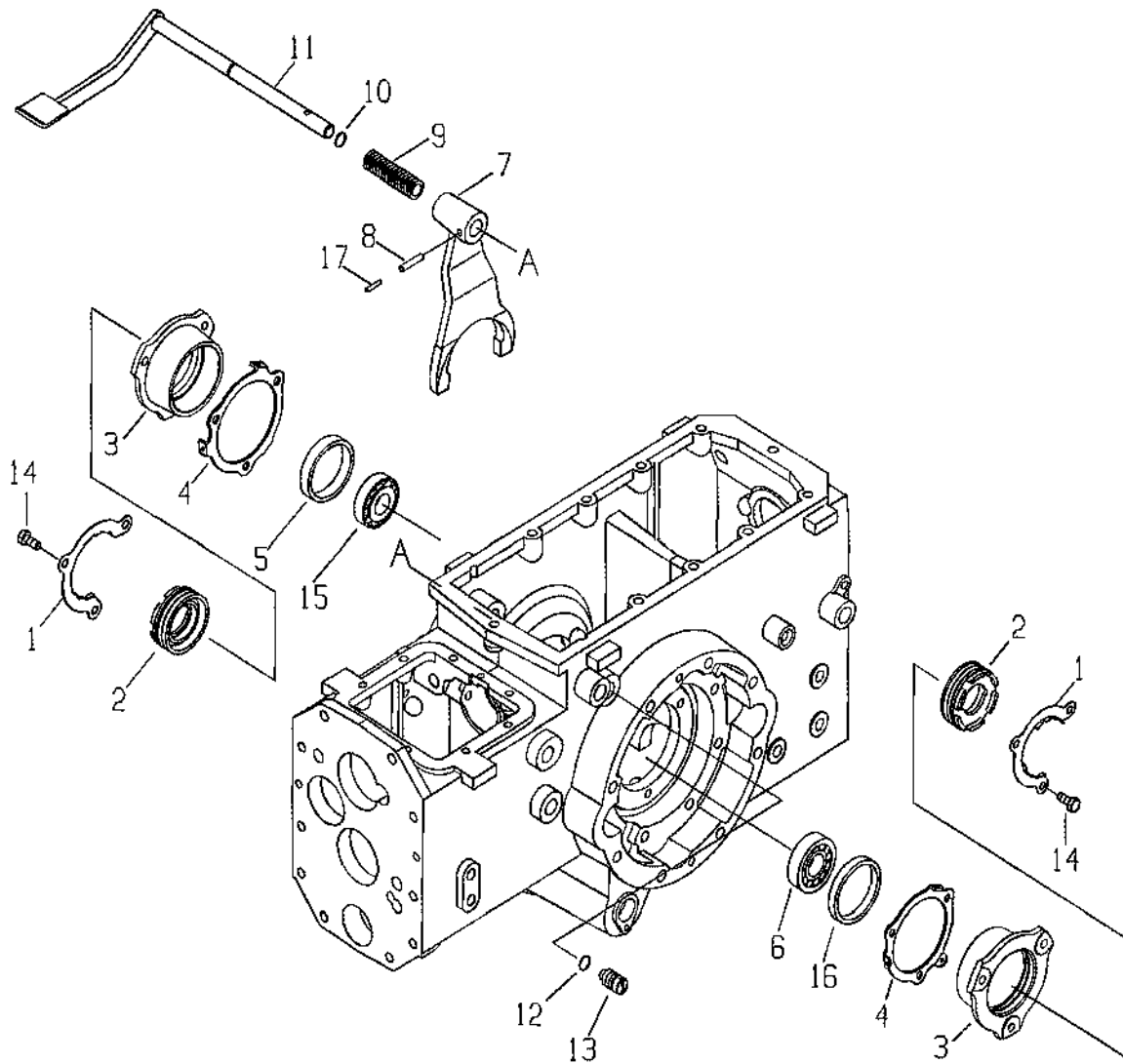
NO.	PART NO.	PART NAME & DESCRIPTION	QTY			APP.NO	REM.
			A	B	C		
1	40010313	RAIL-4WD-TRG291	1	1	1		
2	40009413	FORK-4WD-TRG291	1	1	1		
3	40029167	PIN-SPRING-S446062510					
4	40012574	LEVER-4WD-TRG291					
5	40029204	O-RING-S801016010					
		D6x25	3	3	3		
6	40012582	LEVER-4WD-TRG293	1	1	1		
7	40029172	PIN-SPRING-S446063512					
8	40011775	LEVER-RANGE HAND-TRG292					
9	40010331	RAIL-RANGE-TRG291					
10	40009315	FORK-RANGE-TRG291					
		D6x35	3	3	3		
11	40010270	ADAPTOR-RANGE-TRG291	1	1	1		
12	40012467	LEVER-RANGE#1-TRG291	1	1	1		
13	40010339	BALL-SHIFT FORK-CVG000					
14	40011943	SPRING-TRG290					
15	40029196	O-RING-S801010A10					
		(11/32)	2	2	2		
		D9.8xW2.4	2	2	2		
16	40009498	BOLT-RAIL-TRG291	1	1	1		
17	40008375	KNOB-HYD. LIFT LEVER-TRG970	1	1	1		
18	40008377	KNOB-SUB SHIFT-TRG970	1	1	1		
19	40009901	BOLT-RAIL-TRG291	1	1	1		
		M10x1.75					
		M12x1.75					



# DIFF-LOCK

FIG. 4-1

G. 310



# DIFF-LOCK

A-C3030, B-C3035, C-C3040

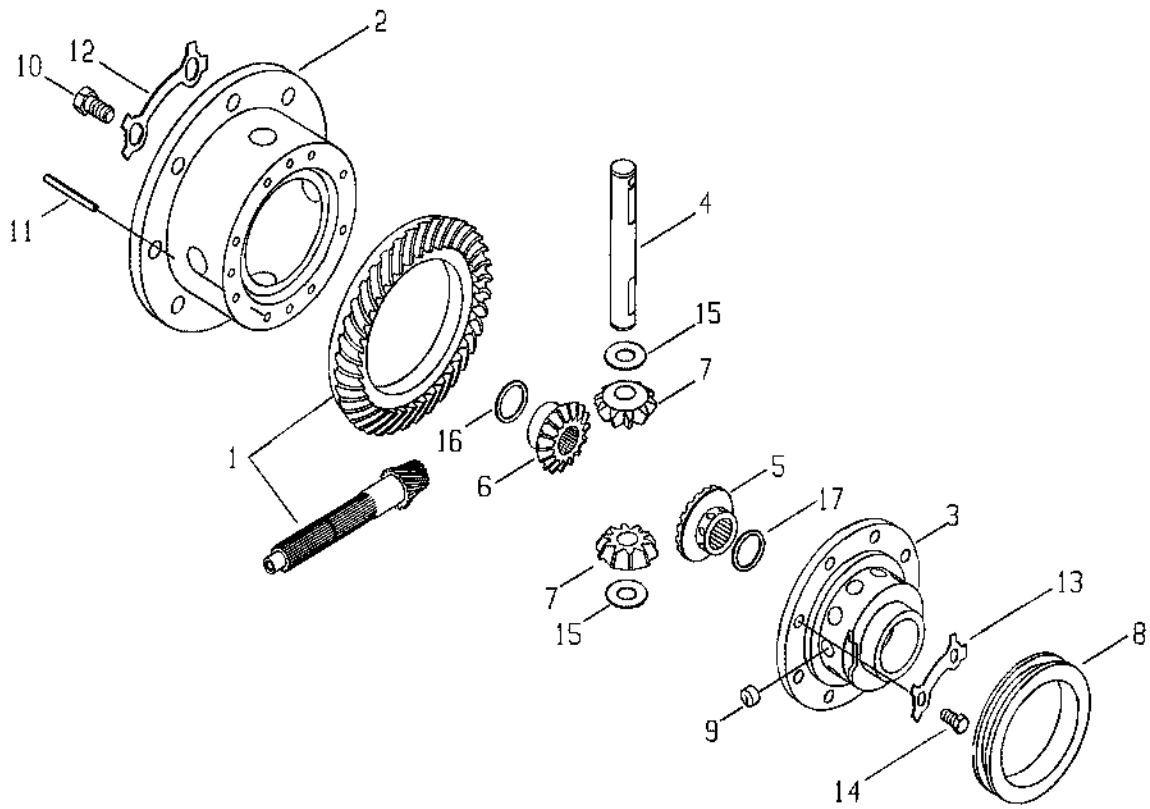
**FIG. 4-1**

NO.	PART NO.	PART NAME & DESCRIPTION	QTY			APP. NO	REM.
			A	B	C		
1	40011827	PLATE-LOCK-TRG320	2	2	2		
2	40010125	SCREW-TRG320	2	2	2		
3	40010179	SUPPORT-DIFF-TRG320	2	2	2		
4	40012622	HOLDER-SPRING(LH)-TRG650	2	2	2		
5	40009785	SPACER-TRG320	OD89.1xID77x14	1	1	1	
6	40012713	BEARING-BALL-A0862100	#6210(OD90xID50x20)	1	1	1	
7	40009322	FORK-DIFF LOCK-TRG320		1	1	1	
8	40029179	PIN-SPRING-S446084012	D8x40	1	1	1	
9	40011981	SPRING-DIFF-TRG320		1	1	1	
10	40029204	O-RING-S801016010	D15.8xW2.4	1	1	1	
11	40011258	SHAFT-DIFF PEDAL-TRG320		1	1	1	
12	40029208	O-RING-S801021010	D20.8xW2.4	1	1	1	
13	40009872	SCREW-ADJUST-TRG320	M22x1.5	1	1	1	
14	40029523	BOLT-HEX FT-S165102543	M10x1.25	6	6	6	
15	40010341	BEARING-TAPER-CVG000	#30210(OD90xID50x21.75)	1	1	1	
16	40009789	SPACER-TRG320	OD89.1xID77x8	1	1	1	
17	40029164	PIN-SPRING-S446054012	D5x40	1	1	1	

# REAR DIFERENTIAL

FIG. 4-2

G. 320



# REAR DIFERENTIAL

A-C3030, B-C3035, C-C3040

FIG. 4-2

NO.	PART NO.	PART NAME & DESCRIPTION	QTY			APP.NO	REM.
			A	B	C		
1-17	40199286	DIFF ASSY-REAR-G310	1	1	1		
1	40013074	PINION+RING-GEAR SET-G310	1	1	1		
2	40008994	CASE-DIFF(1)-TRG310	1	1	1		
3	40009434	CASE-DIFF(2)-TRG310	1	1	1		
4	40010205	SHAFT-(1)-TRG310	1	1	1		
5	40009870	GEAR-DIFF SIDE(LH)-TRG310	16t	1	1	1	
6	40009871	GEAR-DIFF SIDE(RH)-TRG310	10t	1	1	1	
7	40009740	PINION-DRV-TRG400	10t	2	2	2	
8	40009810	HUB-DIFF/LOCK-TRG310		1	1	1	
9	40009888	ROLLER-TRG310	D12x1.5	10	10	10	
10	40009521	BOLT-HEX-TRG310	M12x1.25x23	8	8	8	
11	40029174	PIN-SPRING-S446085010	D6x50	1	1	1	
12	40011798	PLATE-LOCK-TRG310	1.0t	4	4	4	
13	40012290	WASHER-LOCK-TRG310	1.0t	4	4	4	
14	40028861	BOLT-HEX-S105082043	M8x1.25	8	8	8	
15	40012423	WASHER-THRUST-TRG970	OD42.07xID19.45x0.8t	2	2	2	
16	40012426	WASHER-THRUST-TRG970	OD71.44xID41.47x0.8t	1	1	1	
17	40012128	WASHER-THRUST(LH)-TRG310	OD74xID55x0.8t	1	1	1	

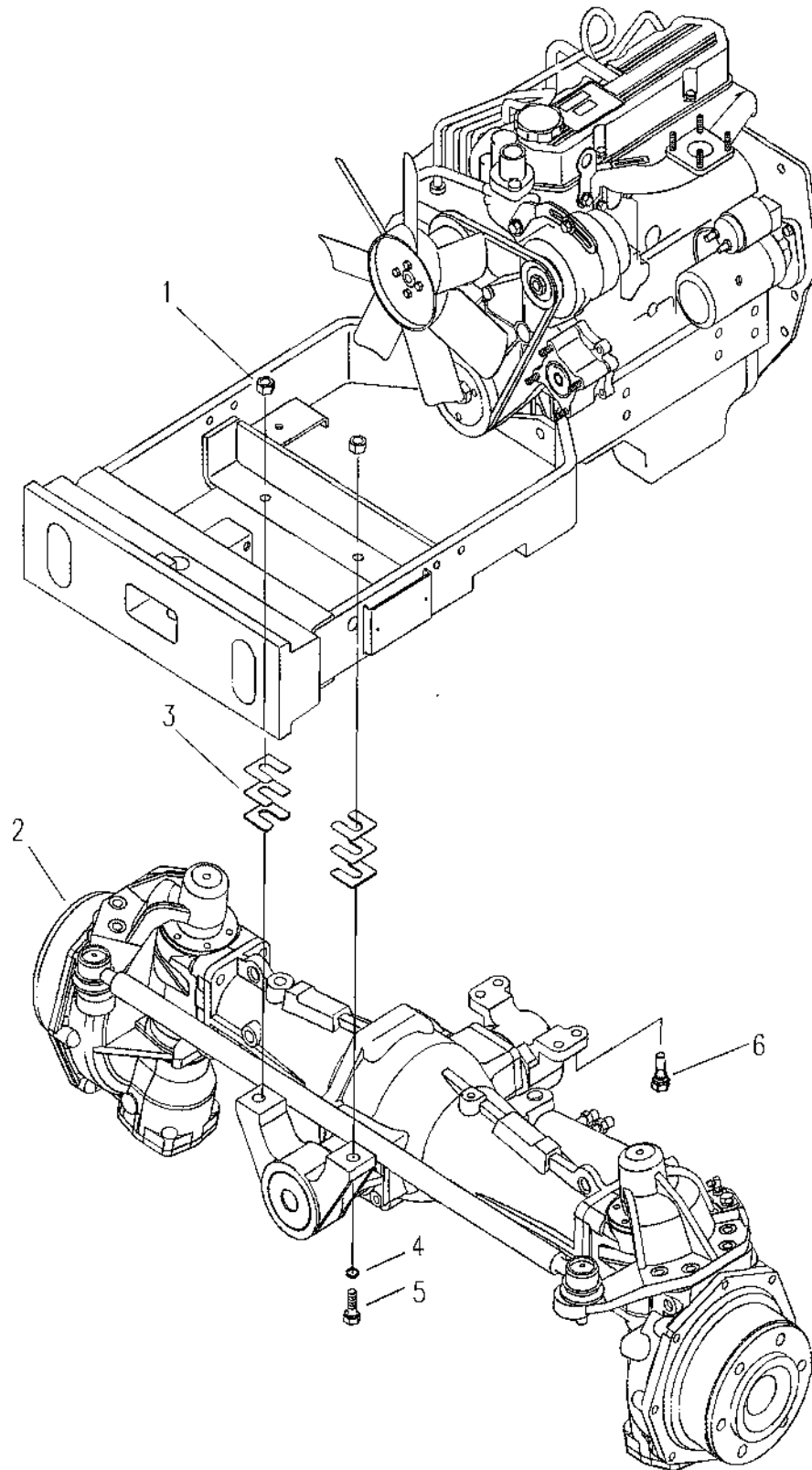
08-04-21

01

# FRONT AXLE ASSY

FIG. 5-1

G. 400



04-05-01

00

# FRONT AXLE ASSY

A-C3030, B-C3035, C-C3040

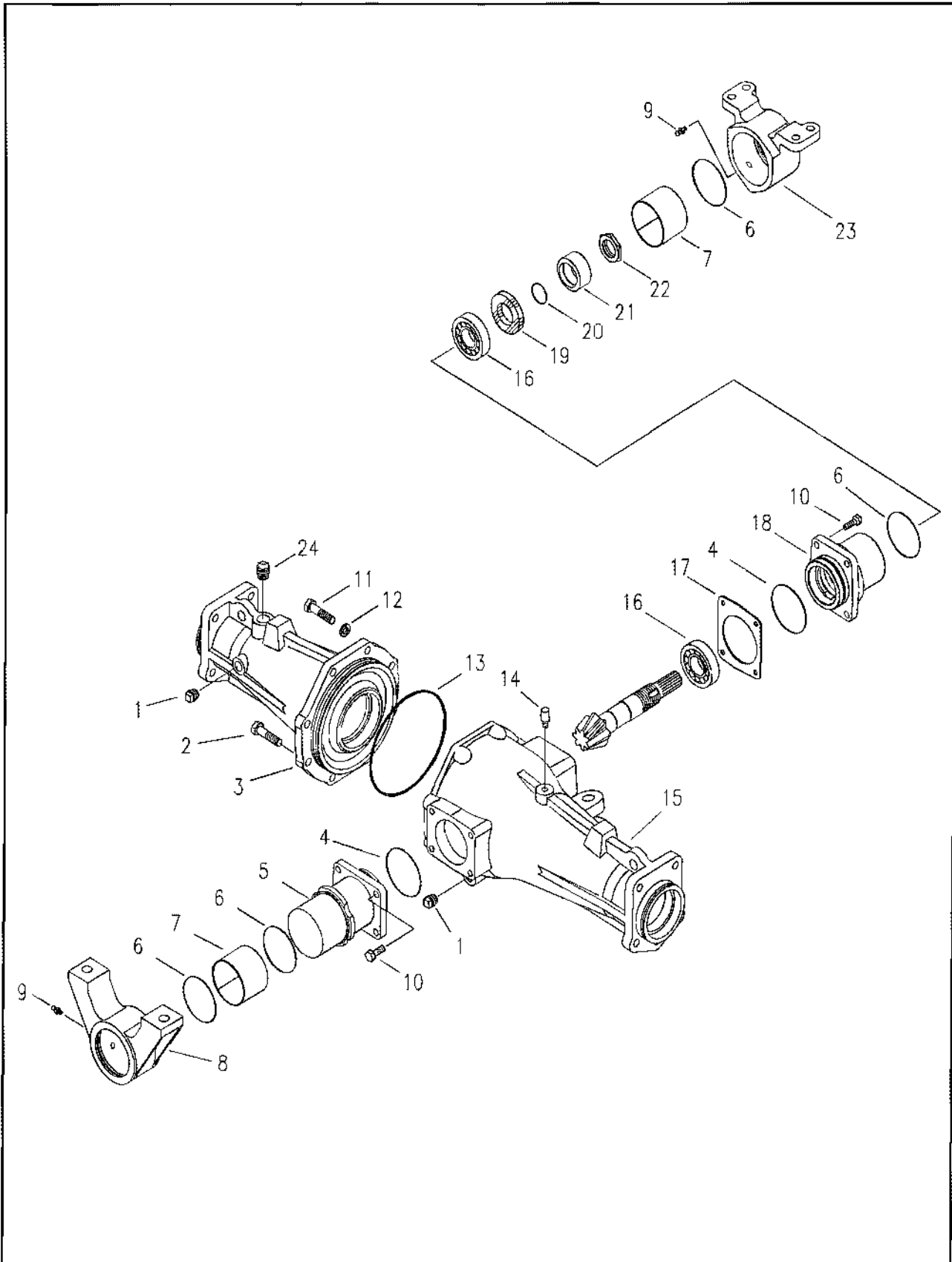
FIG. 5-1

NO.	PART NO.	PART NAME & DESCRIPTION	QTY			APP.NO	REM.	
			A	B	C			
1	40009539	NUT-LOCK-TRG400	M16×1.5	2	2	2		
2	20021270	FRONT AXLE ASSY-PTO DRVN 3-G400		1	1	1		
3	40067166	LINER-F/AXLE-TRG400	0.4t	AR	AR	AR		
	40067167	LINER-F/AXLE-TRG400	1.2t	AR	AR	AR		
	40067168	LINER-F/AXLE-TRG400	2.3t	AR	AR	AR		
4	40029555	WASHER-SPR-S361160013	Φ28×Φ16.2×4t	2	2	2		
5	40029477	BOLT-HEX-S103164543	M16×1.5×45	2	2	2		
6	40028959	BOLT-HEX WWS-S154123533	M12X1.25X35	4	4	4		

# FRONT AXLE CASE

FIG. 5-2A

G. 400



04-05-01

00

# FRONT AXLE CASE

A-C3030, B-C3035, C-C3040

FIG. 5-2A

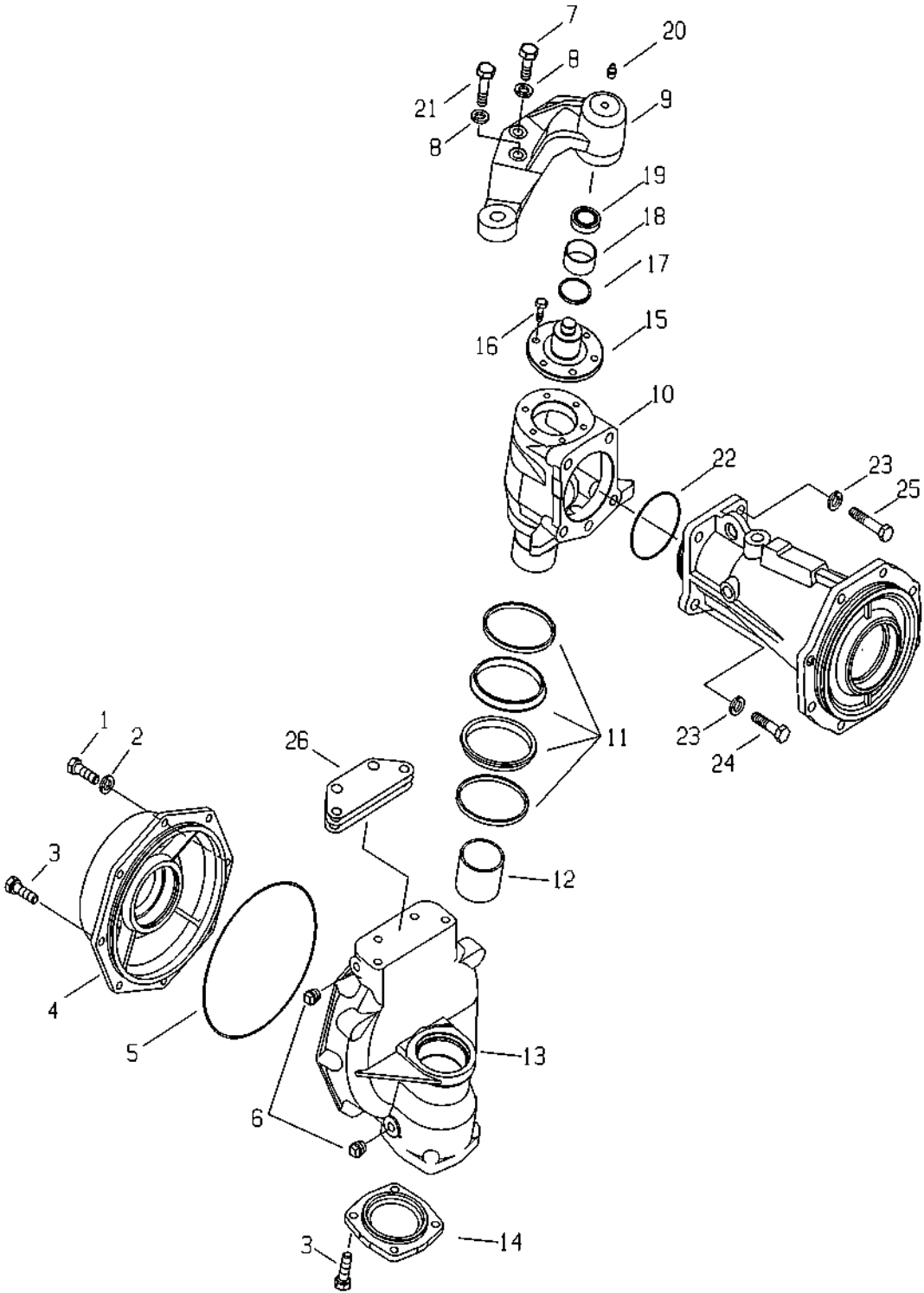
NO.	PART NO.	PART NAME & DESCRIPTION	QTY			APP.NO	REM.	
			A	B	C			
1	40009626	PLUG-TAPER-TRG970	PT 3/8	3	3	3		
2	40028939	BOLT-HEX W/WS-S153123533	M12×1.75×35	7	7	7		
3	40009028	CENTER CASE-FRONT AXLE(RH)-TRG400		1	1	1		
4	40029228	O-RING-S802075010	D74.4×3.1	2	2	2		
5	40009392	HOLDER-FRONT PIVOT-TRG400		1	1	1		
6	40029229	O-RING-S802080010	D79.4×3.1	4	4	4		
7	40010126	BUSHING-TRG970	80×40	2	2	2		
8	40009414	BRACKET-F/AXLE FRONT-TRG400		1	1	1		
9	40009516	NIPPLE-GREASE-TRG970	PT 1/8	2	2	2		
10	40028949	BOLT-HEX W/WS-S154103033	M10×1.25×30	8	8	8		
11	40009922	BOLT-REAMER-TRG970	M12×1.75	1	1	1		
12	40029551	WASHER-SPR-S361120013	Φ21.5×Φ12.2×3t	1	1	1		
13	40029234	O-RING-S802175010	D174.3×5.7	1	1	1		
14	40013036	AIR-BREATHER ASSY-G400		1	1	1		
15	40008959	CENTER CASE-FRONT AXLE(LH)-TRG400		1	1	1		
16	40007830	BEARING-TAPER-TRG400	#32206C (OD62×ID30×21.25)	2	2	2		
17	40012000	SHIM-TRG970	0.07t	AR	AR	AR		
	40012001	SHIM-TRG970	0.2t	AR	AR	AR		
18	40010334	CASE-BEARING-TRG400		1	1	1		
19	40007426	SEAL-OIL-TRG970	Φ62×Φ45×9t	1	1	1		
20	40029212	O-RING-S801030010	D29.7×3.5	1	1	1		
21	40009698	BUSHING-SEAL-TRG410	Φ45×15	1	1	1		
22	40009935	NUT-HEX-TRG970	M30×1.5	1	1	1		
23	40009435	BRACKET-F/AXLE REAR-TRG400		1	1	1		
24	40009645	PLUG-TAPER-TRG970	PT 1/2	1	1	1		



# FRONT AXLE CASE(RH)

FIG. 5-2B

G. 400



# FRONT AXLE CASE(RH)

A-C3030, B-C3035, C-C3040

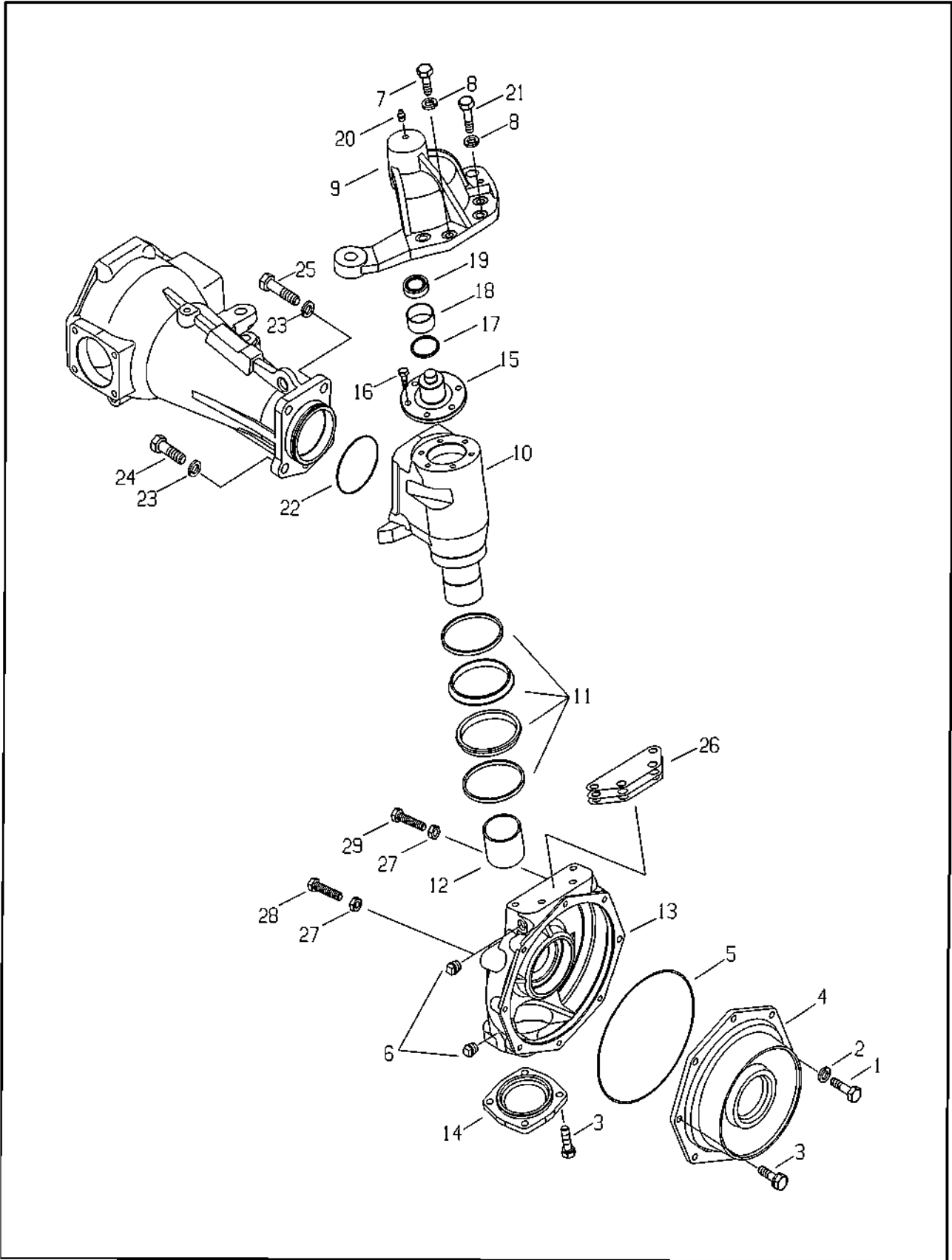
FIG. 5-2B

NO.	PART NO.	PART NAME & DESCRIPTION		QTY			APP.NO	REM.
				A	B	C		
1	40009512	BOLT-HEX-TRG970	M10×1.25	1	1	1		
2	40029549	WASHER-SPR-S361100013	Φ18.4×10.2×2.5t	1	1	1		
3	40028949	BOLT-HEX WWS-S154103033	M10×1.25×30	11	11	11		
4	40009327	COVER-F/AXLE SHAFT-TRG400		1	1	1		
5	40007364	O-RING-RUBBER-TRG970	D231×3	1	1	1		
6	40009626	PLUG-TAPER-TRG970	PT 3/8	2	2	2		
7	40029381	BOLT-HEX-S101123043	M12×1.75×30	2	2	2		
8	40029551	WASHER-SPR-S361120013	Φ21.5×Φ12.2×3t	4	4	4		
9	40008995	ARM-(RH)-TRG400		1	1	1		
10	40009021	CASE-KING PIN-TRG400		1	1	1		
11	40007918	SEAL ASSY-GROUP-TRG400		1	1	1		
12	40007901	BUSHING-DU-TRG400	MB6030DU	1	1	1		
13	40008940	CASE-GEAR(RH)-TRG400		1	1	1		
14	40036079	COVER-W/BRG CASE-TRG400		1	1	1		
15	40009964	HOLDER-ARM-TRG400		1	1	1		
16	40028923	BOLT-HEX WWS-S153082533	M8×1.25×25	6	6	6		
17	40012856	SEAL-DUST-A0652582	Φ40×Φ48×6.5t	1	1	1		
18	40012936	BUSHING-A0678120	MB4020DU	1	1	1		
19	40007983	BEARING-TAPER-TRG400	#32004XJ	1	1	1		
20	40009516	NIPPLE-GREASE-TRG970	PT 1/8	1	1	1		
21	40009921	BOLT-REAMER-TRG970	M12X1.75X35	2	2	2		
22	40029230	O-RING-S802090010	D89.4×3.1	1	1	1		
23	40029553	WASHER-SPR-S361140013	Φ24.5×Φ14.2×3.5t	5	5	5		
24	40029397	BOLT-HEX-S101144043	M14×2×40	4	4	4		
25	40009536	BOLT-REAMER-TRG970	M14×2×50	1	1	1		
26	40012502	SHIM-TRG400	0.15t	1	1	1		
	40012667	SHIM-TRG400	0.30t	1	1	1		
	40012668	SHIM-TRG400	0.40t	1	1	1		

# FRONT AXLE CASE(LH)

FIG. 5-2C

G. 400



04-05-01

00

# FRONT AXLE CASE(LH)

A-C3030, B-C3035, C-C3040

**FIG. 5-2C**

NO.	PART NO.	PART NAME & DESCRIPTION	QTY			APP.NO	REM.	
			A	B	C			
1	40009512	BOLT-HEX-TRG970	M10×1.25	1	1	1		
2	40029549	WASHER-SPR-S361100013	Φ18.4×10.2×2.5t	1	1	1		
3	40028949	BOLT-HEX W/WS-S154103033	M10×1.25×30	11	11	11		
4	40009327	COVER-F/AXLE SHAFT-TRG400		1	1	1		
5	40007364	O-RING-RUBBER-TRG970	D231×3	1	1	1		
6	40009626	PLUG-TAPER-TRG970	PT 3/8	2	2	2		
7	40029381	BOLT-HEX-S101123043	M12×1.75×30	2	2	2		
8	40029551	WASHER-SPR-S361120013	Φ21.5×Φ12.2×3t	4	4	4		
9	40008996	ARM-(LH)-TRG400		1	1	1		
10	40009021	CASE-KING PIN-TRG400		1	1	1		
11	40007918	SEAL ASSY-GROUP-TRG400		1	1	1		
12	40007901	BUSHING-DU-TRG400	MB6030DU	1	1	1		
13	40008939	CASE-GEAR(LH)-TRG400		1	1	1		
14	40036079	COVER-W/BRG CASE-TRG400		1	1	1		
15	40009964	HOLDER-ARM-TRG400		1	1	1		
16	40028923	BOLT-HEX W/WS-S153082533	M8×1.25×25	6	6	6		
17	40012856	SEAL-DUST-A0652582	Φ40×Φ48×6.5t	1	1	1		
18	40012936	BUSHING-A0678120	MB4020DU	1	1	1		
19	40007983	BEARING-TAPER-TRG400	#32004XJ	1	1	1		
20	40009516	NIPPLE-GREASE-TRG970	PT 1/8	1	1	1		
21	40009921	BOLT-REAMER-TRG970	M12X1.75X35	2	2	2		
22	40029230	O-RING-S802090010	D89.4×3.1	1	1	1		
23	40029553	WASHER-SPR-S361140013	Φ24.5×Φ14.2×3.5t	5	5	5		
24	40029397	BOLT-HEX-S101144043	M14×2×40	4	4	4		
25	40009536	BOLT-REAMER-TRG970	M14×2×50	1	1	1		
26	40012502	SHIM-TRG400	0.15t	1	1	1		
	40012667	SHIM-TRG400	0.30t	1	1	1		
	40012668	SHIM-TRG400	0.40t	1	1	1		
27	40028726	NUT-HEX 1 TY-S301120043	M12×1.75	2	2	2		
28	40027955	BOLT-HEX-S101125543	M12×1.75×55	1	1	1		
29	40029500	BOLT-HEX FT-S163123543	M12×1.75×35	1	1	1		

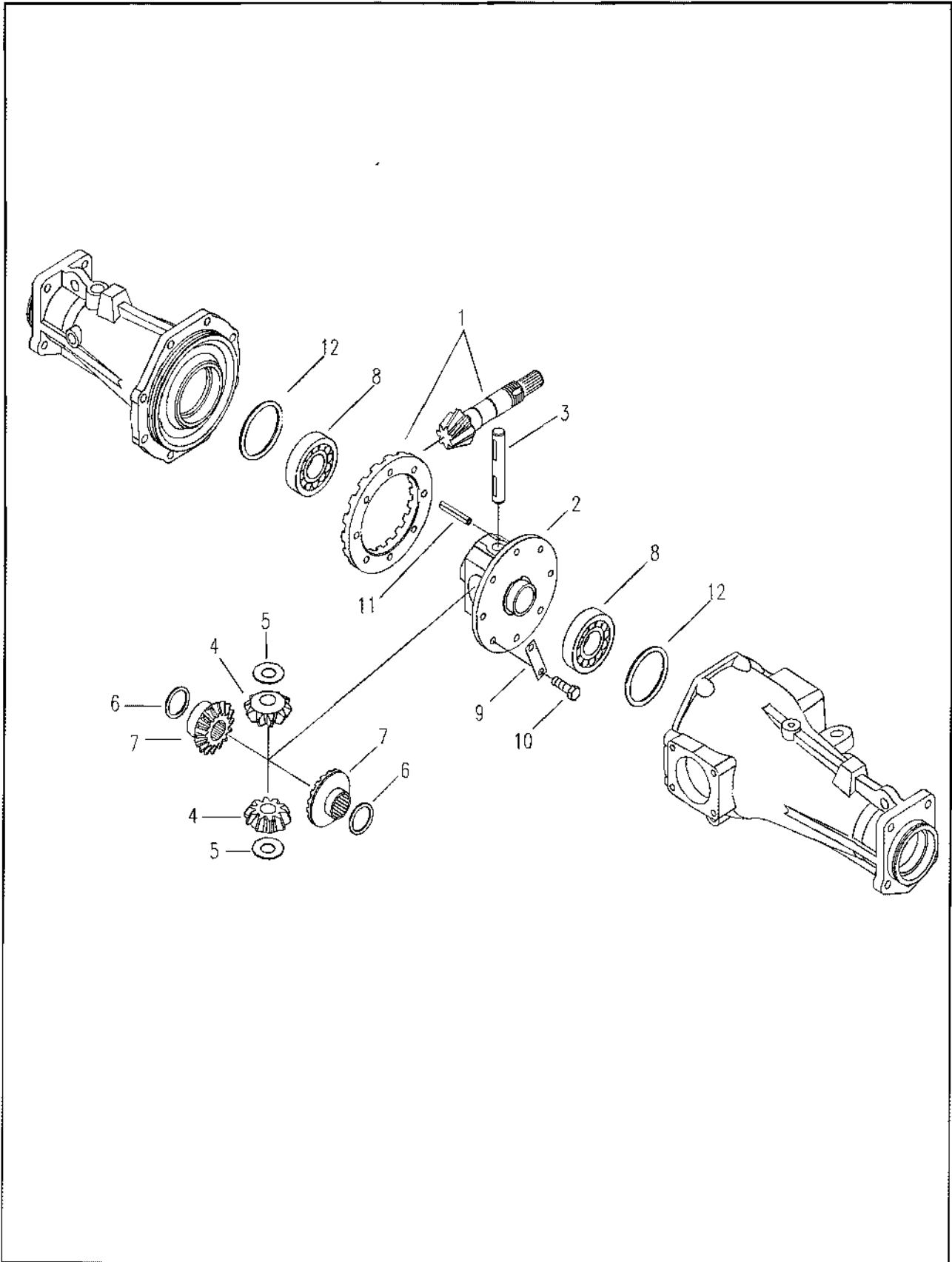
04-05-01

00

# FRONT DIFFERENTIAL

FIG. 5-3

G. 400



06-04-01

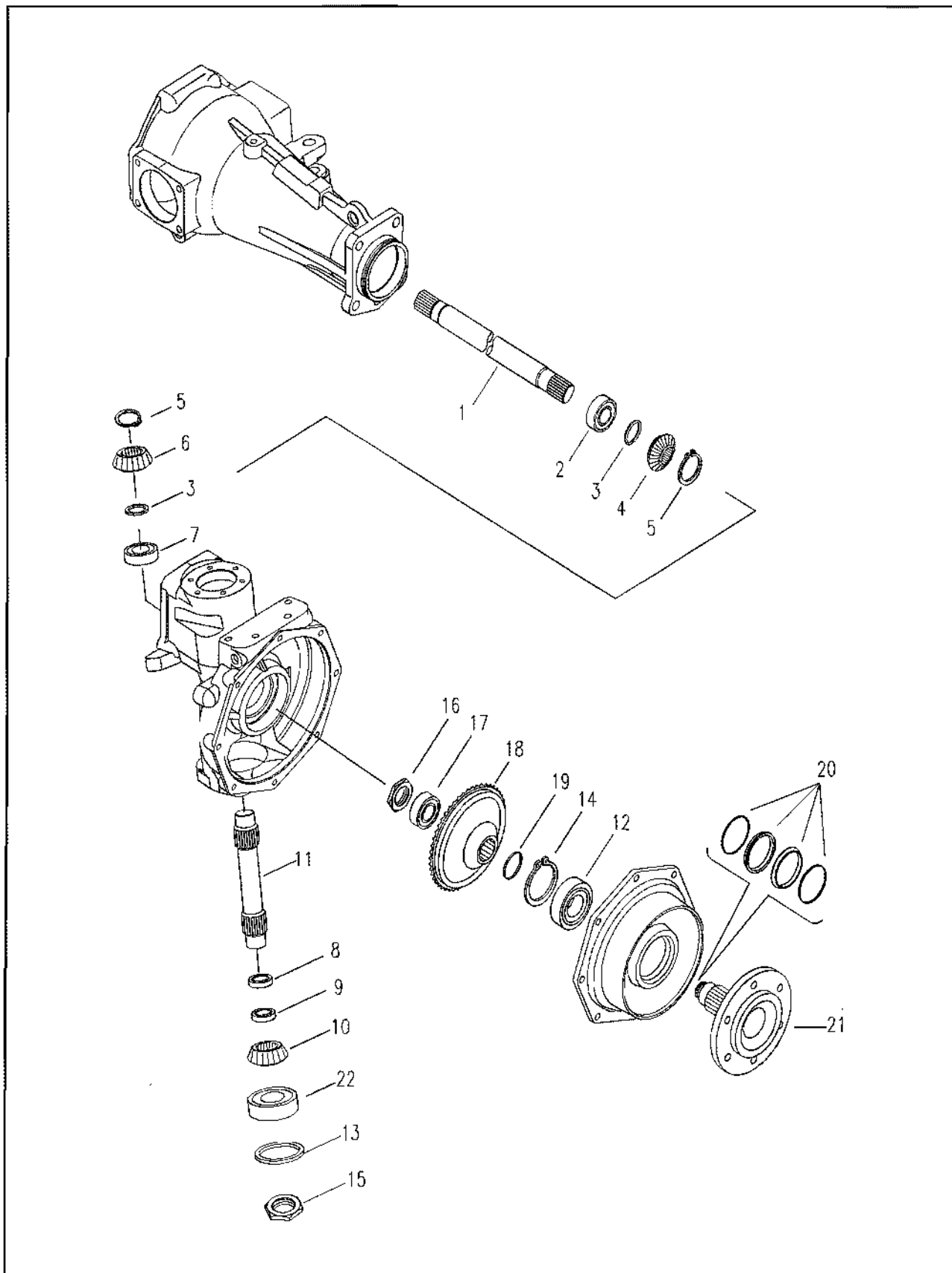
01



# FRONT DRIVE

FIG. 5-4

G. 400



04-05-01

00

# FRONT DRIVE

A-C3030, B-C3035, C-C3040

**FIG. 5-4**

NO.	PART NO.	PART NAME & DESCRIPTION	QTY			APP.NO	REM.
			A	B	C		
1	40009273	SHAFT-F/DIFF-TRG400	2	2	2		
2	40012720	BEARING-BALL-A0863070	#6307 (OD80×ID35×21)	2	2	2	
3	40012869	LINER-A0870108	0.15t	AR	AR	AR	
	40012870	LINER-A0870109	0.4t	AR	AR	AR	
	40012871	LINER-A0870110	0.5t	AR	AR	AR	
4	40036065	GEAR-BEVEL-TRG400	14t	2	2	2	
5	40029273	RING-SNAP-S810030001		4	4	4	
6	40036067	GEAR-BEVEL-TRG400	15t	2	2	2	
7	40007830	BEARING-TAPER-TRG400	#32206C (OD62×ID30×21.25)	2	2	2	
8	40009716	BEARING-THRUST-TRG970	NSK51107 (OD52×ID35×12)	2	2	2	
9	40010102	SPACER-TRG400		2	2	2	
10	40036066	GEAR-BEVEL-TRG400	14t	2	2	2	
11	40009096	SHAFT-KING PIN-TRG400		2	2	2	
12	40012713	BEARING-BALL-A0862100	#6210 (OD90×ID50×20)	2	2	2	
13	40012427	LINER-TRG970	0.07t	AR	AR	AR	
	40012428	LINER-TRG970	0.2t	AR	AR	AR	
14	40029304	RING-SNAP-S811090001	#30210	2	2	2	
15	40009934	NUT-LOCK-TRG281	M25×1.5	2	2	2	
16	40009906	NUT-LOCK-TRG400	M30×1.5	2	2	2	
17	40012721	BEARING-BALL-A0863080	#6308 (OD90×ID40×23)	2	2	2	
18	40036080	GEAR-TRG400	38t	2	2	2	
19	40012123	LINER-TRG970	0.4t	4	4	4	
	40012124	LINER-TRG970	0.6t	AR	AR	AR	
	40059311	SHIM-3A1970114	0.8t	AR	AR	AR	
	40012125	LINER-TRG970	1.0t	AR	AR	AR	
20	40007918	SEAL ASSY-GROUP-TRG400		2	2	2	
21	40036082	SHAFT-FRONT AXLE-TRG400		2	2	2	
22	40010341	BEARING-TAPER-CVG000	#30210	2	2	2	

04-05-01

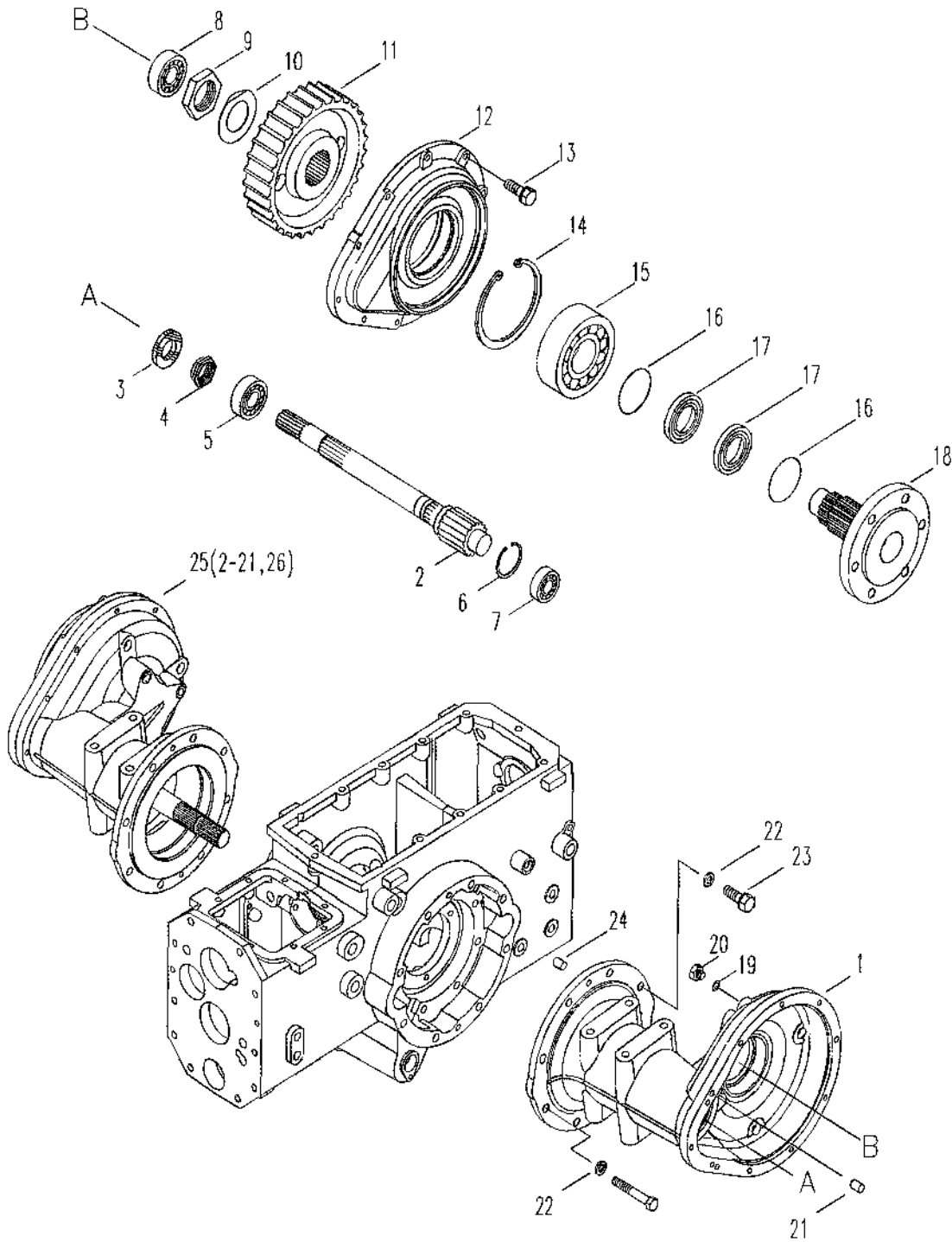
00



# REAR AXLE(480,481)

FIG. 5-5

G. 400



# REAR AXLE(480,481)

A-C3030, B-C3035, C-C3040

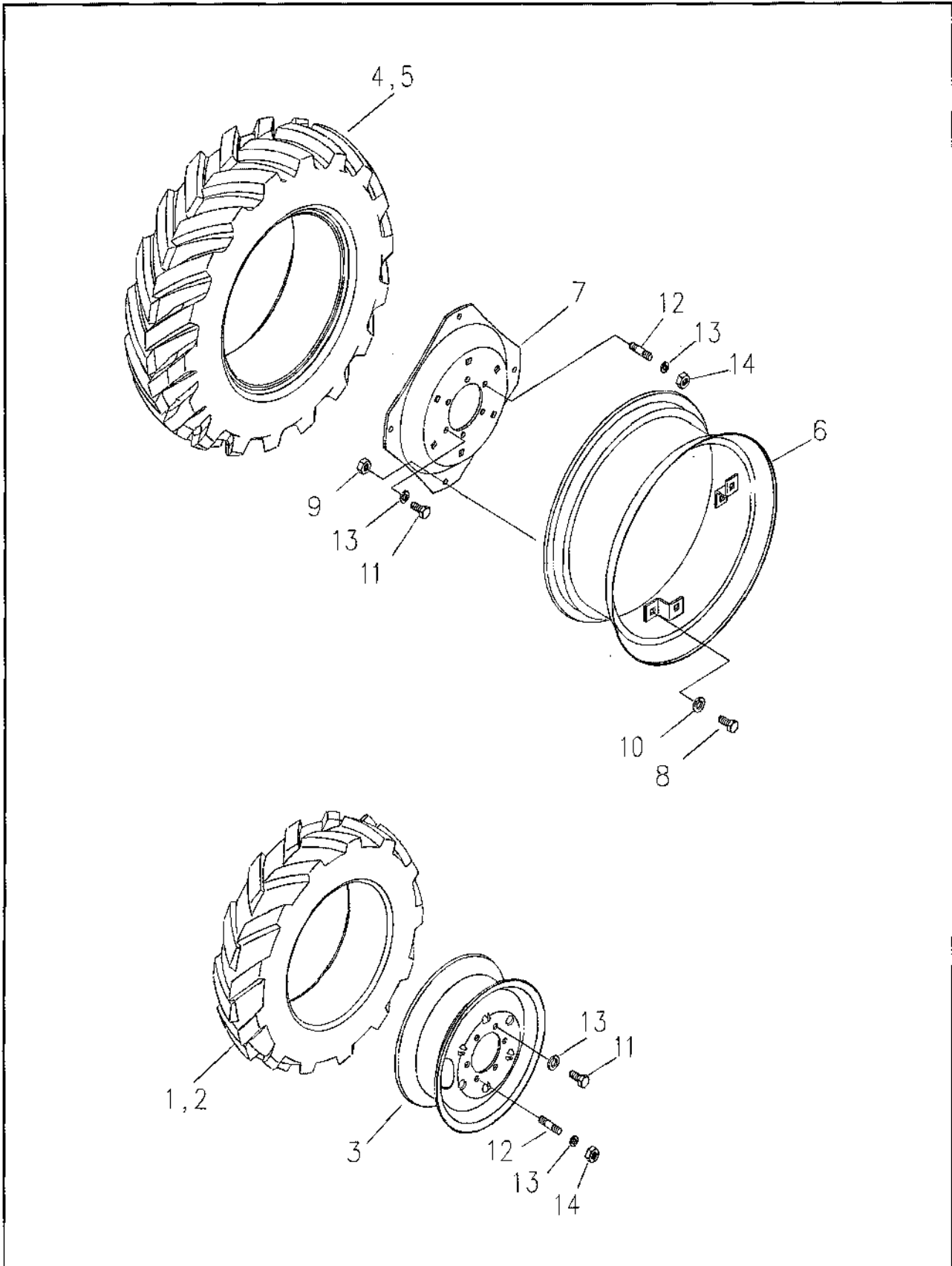
**FIG. 5-5**

NO.	PART NO.	PART NAME & DESCRIPTION	QTY			APP.NO	REM.	
			A	B	C			
1-21	20020421	F/DRIVE ASSY-(LH)-G480	1	1	1			
1	40008941	CASE-FINAL DRV(LH)-TRG480	1	1	1			
2	40009374	PINION-FINAL DRV-TRG481	2	2	2			
3	40007787	SEAL-OIL-TRG480	2	2	2			
4	40009546	NUT-LOCK-TRG481	2	2	2			
5	40012721	BEARING-BALL-A0863080	#6308(OD90xID40x23)	2	2	2		
6	40029304	RING-SNAP-S811090001	D95.5x3t	2	2	2		
7	40012720	BEARING-BALL-A0863070	#6307(OD80xID35x21)	2	2	2		
8	40012930	BEARING-BALL-A0863090	#6309(OD100xID45x29)	2	2	2		
9	40009938	NUT-LOCK-TRG481	M55x1.5	2	2	2		
10	40011807	PLATE-LOCK-TRG481	OD96xID56x1.5t	2	2	2		
11	40009008	GEAR-FINAL DRV-TRG481	71T	2	2	2		
12	40009002	COVER-FINAL DRV-TRG480		2	2	2		
13	40028951	BOLT-HEX W/WS-S154104033	M10x1.25	20	20	20		
14	40029305	RING-SNAP-S811140001	D14.7x4t	2	2	2		
15	40012931	BEARING-BALL-A0863130	#6313(OD140xID65x33)	2	2	2		
16	40007786	RING-O-TRG480	D117xW7	4	4	4		
17	40007871	RETAINER-GROUP SEAL-TRG480		4	4	4		
18	40009027	SHAFT-REAR AXLE-TRG481		2	2	2		
19	40012421	SEAL-PLUG-TRG250	OD20xID26x1.5t	6	6	6		
20	40012897	PLUG-DRAIN-A0610281	M20x1.5	6	6	6		
21	40029095	PIN-PAR-S421102010	D15x20	4	4	4		
22	40029553	WASHER-SPR-S361140013	OD24.5xID14.2x3.5t	16	16	16		
23	40029397	BOLT-HEX-S101144043	M14x2.0	10	10	10		
24	40029102	PIN-PAR-S423102010	D10x20	4	4	4		
25	20020422	F/DRIVE ASSY-(RH)-G480		1	1	1		
26	40008942	CASE-FINAL DRV(RH)-TRG480		1	1	1		

# FRONT & REAR WHEEL

FIG. 5-6

G. 490



# FRONT & REAR WHEEL

A-C3030, B-C3035, C-C3040

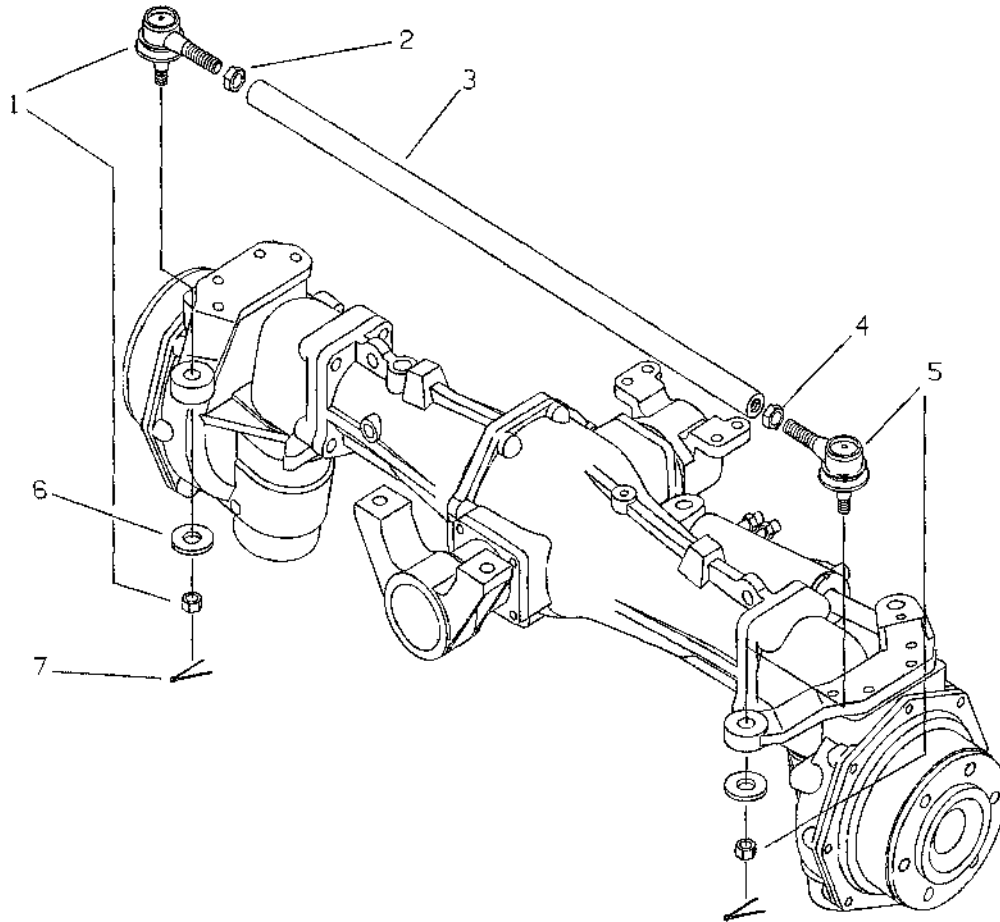
FIG. 5-6

NO.	PART NO.	PART NAME & DESCRIPTION		QTY			APP.NO	REM.
				A	B	C		
1-2	*	G490S_FRONT TIRE ASSY-I	7-16(4PR)	*	2	*		
	*	C_FRONT TIRE ASSY-C	8-16(4PR)	2	*	2		
1	40007747	TUBE-TRG490		*	1	*		
	40007749	TUBE-TRG490		1	*	1		
2	40007645	TIRE-TRG490		*	1	*		
	40007647	TIRE-TRG490		1	*	1		
3	40007591	WHEEL ASSY-TRG490		2	2	2		
4-5	*	G490S_FRONT TIRE ASSY-S	11.2-24(6PR)	*	2	*		
	*	G490S_REAR TIRE ASSY-C	12.4-24(6PR)	2	*	2		
4	40007876	TUBE-TRG490		*	1	*		
	40007754	TUBE-INNER-TRG490		1	*	1		
5	40007623	TIRE-TRG490		*	1	*		
	40007626	TIRE-TRG490		1	*	1		
6-10	40007590	WHEEL ASSY-TRG490		2	2	2		
6	40011117	RIM-TRG490		1	1	1		
7	40011771	DISK-TRG490		1	1	1		
8	40027837	BOLT-HEX-TRG970		4	4	4		
9	40029031	NUT-HEX-S306160013		4	4	4		
10	40029555	WASHER-SPR-S361160013		4	4	4		
11	40029474	BOLT-HEX-S103163043	M16x1.5x30L	16	16	16		
12	40029014	BOLT-STUD-S167162523	M16x1.5x25L	8	8	8		
13	40029555	WASHER-SPR-S361160013	D28/16.2x4T	24	24	24		
14	40028752	NUT-HEX 1 TY-S302160043	M16x1.5	8	8	8		

# TIE ROD

FIG. 6-1

G. 610

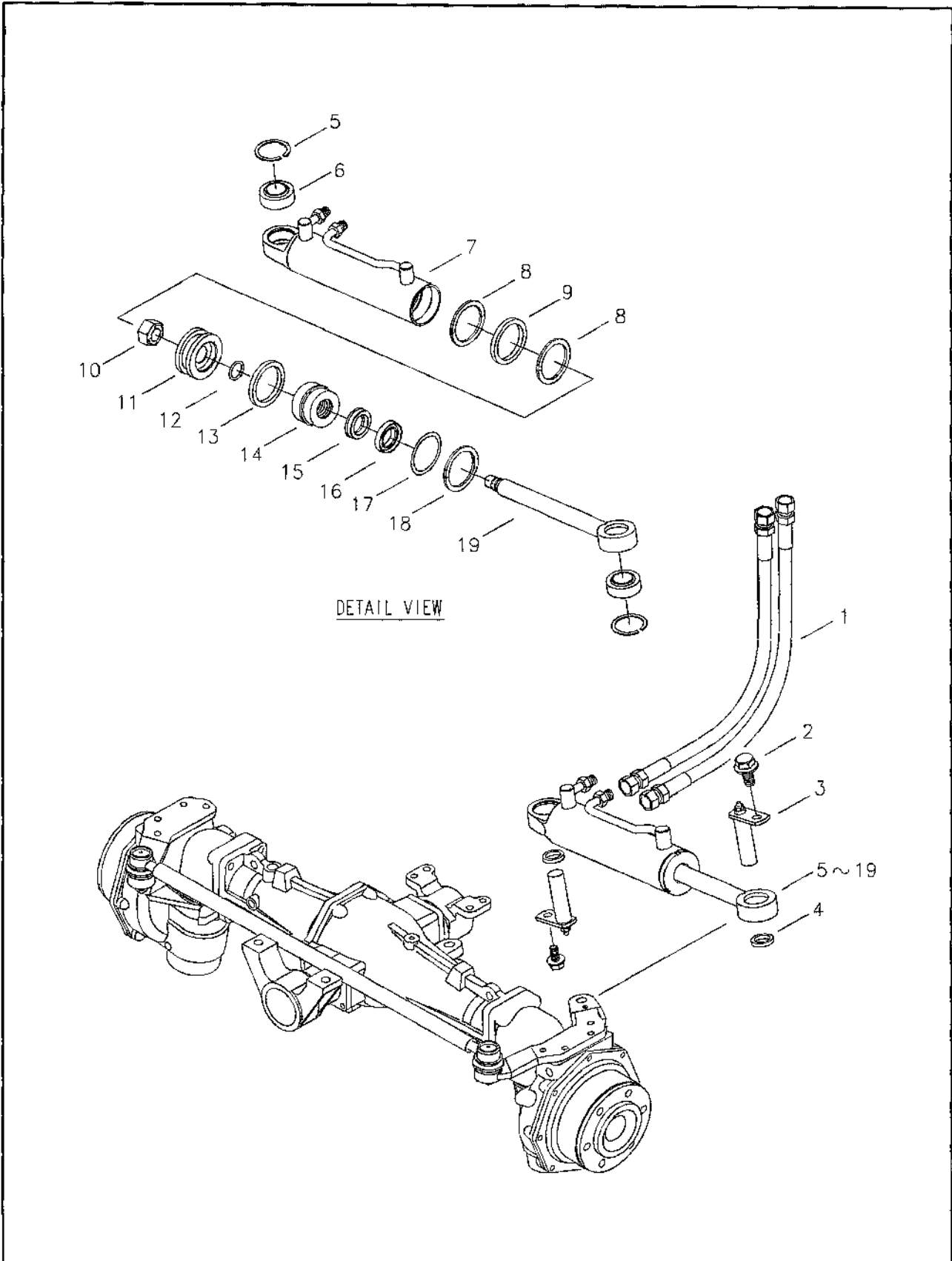




# STEERING CYLINDER

FIG. 6-2A

G. 630



# STEERING CYLINDER

A-C3030, B-C3035, C-C3040

FIG. 6-2A

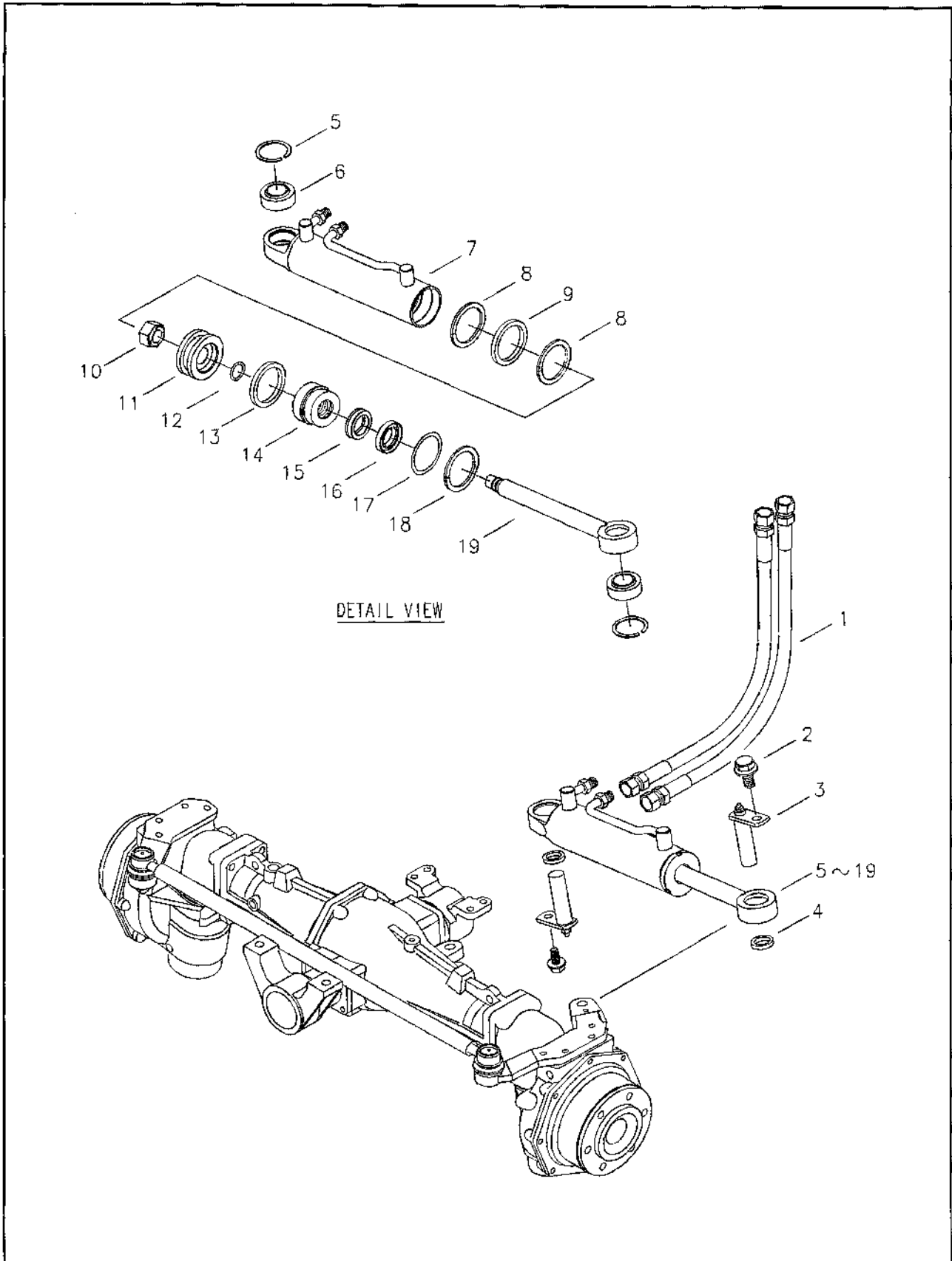
NO.	PART NO.	PART NAME & DESCRIPTION		QTY			APP. NO	REM.
				A	B	C		
1	40007937	HOSE-STEERING-TRG630	410L	2	2	2		
2	40028947	BOLT-HEX WWS-S154102033	M10x1.25x20	2	2	2		
3	40008108	PIN ASSY-CYLINDER-G630		2	2	2		
4	40012554	SPACER-CYLINDER PIN-TRG630	D20x5l	2	2	2		
5-19	40008087	CYLINDER ASSY-W/SENSOR-G630	293-446	1	1	1		
5	40029311	RING-SNAP-S813035001	D35	2	2	2		
6	40009488	BUSHING-BALL-TRG630		2	2	2		
7	40008172	CYLINDER ASSY-G630		1	1	1		
8	40007900	RING-BACK UP-TRG630	D50	2	2	2		
9	40007513	O-RING-TRG630	D43.7x3.5	1	1	1		
10	40009928	NUT-LOCK-TRG630	M16x2	1	1	1		
11	40010391	PISTON-TRG630	D50	1	1	1		
12	40029201	O-RING-S801014010	D13.8x2.4	1	1	1		
13	40029217	O-RING-S801046010	D45.7x3.5	1	1	1		
14	40010392	HEAD-CYLINDER-TRG630		1	1	1		
15	40007505	GASKET-U-TRG630	D22.4	1	1	1		
16	40007547	SEAL-DUST-TRG630	D22.4	1	1	1		
17	40012658	RING-WIRE-TRG630	D2	1	1	1		
18	40012659	RING-STOP-TRG630		1	1	1		
19	40010390	ROD-POSITION-TRG630	D22.4	1	1	1		



# STEERING CYLINDER

FIG. 6-2B

G. 630



# STEERING CYLINDER

A-C3030, B-C3035, C-C3040

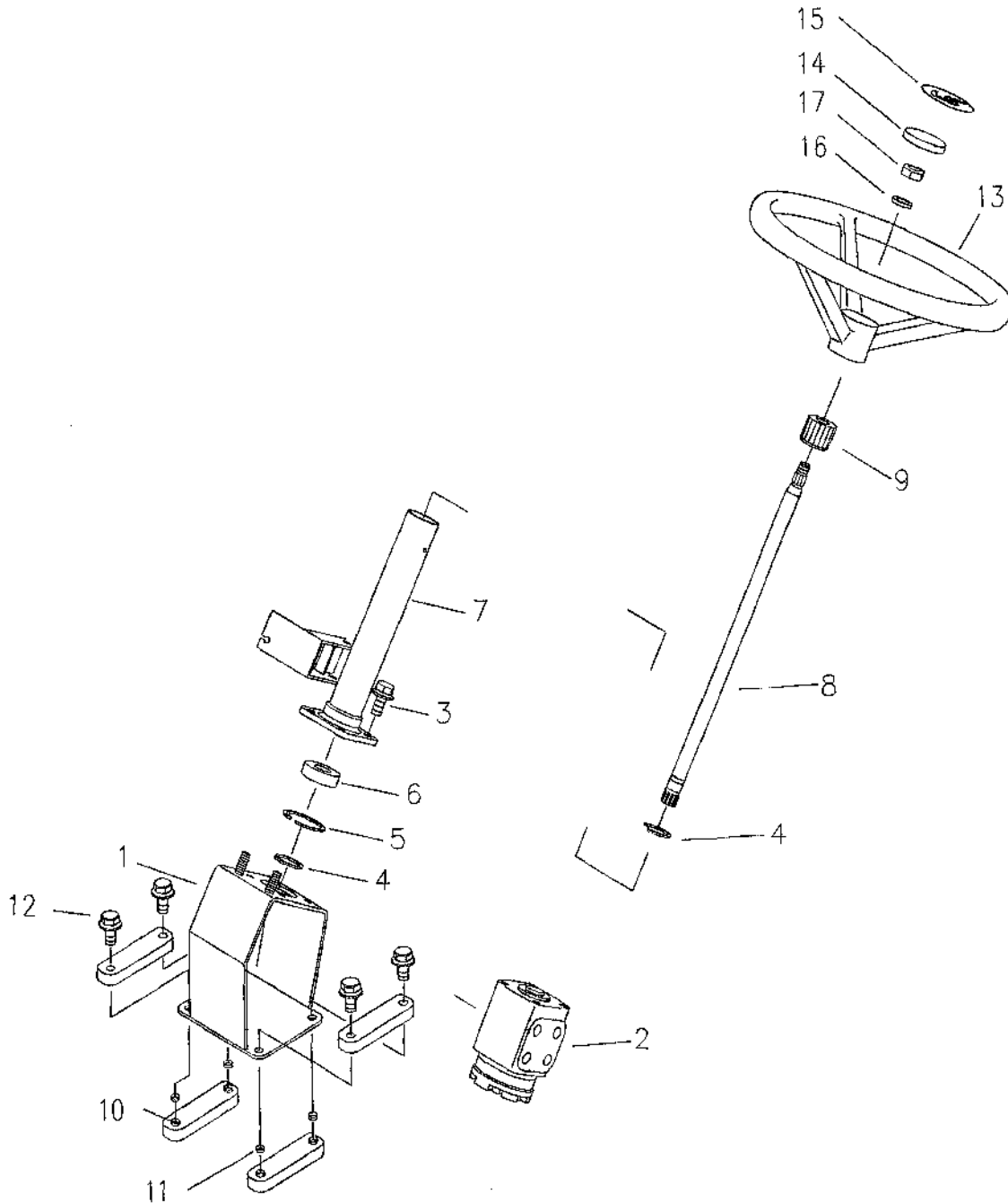
FIG. 6-2B

NO.	PART NO.	PART NAME & DESCRIPTION	QTY			APP.NO	REM.	
			A	B	C			
1	40007937	HOSE-STEERING-TRG630	410L	2	2	2	~20060131	
	40007845	HOSE-STEERING-TRG630	610L	2	2	2	20060201~	0
2	40028947	BOLT-HEX W/WS-S154102033	M10×1.25×20	2	2	2		
3	40008108	PIN ASSY-CYLINDER-G630		2	2	2		
4	40012554	SPACER-CYLINDER PIN-TRG630	D20×5t	2	2	2		
5~19	40008087	CYLINDER ASSY-W/SENSOR-G630	293-446	1	1	1		
5	40029311	RING-SNAP-S813035001	D35	2	2	2		
6	40009488	BUSHING-BALL-TRG630		2	2	2		
7	40008172	CYLINDER ASSY-G630		1	1	1		
8	40007900	RING-BACK UP-TRG630	D50	2	2	2		
9	40007513	O-RING-TRG630	D43.7×3.5	1	1	1		
10	40009928	NUT-LOCK-TRG630	M16×2	1	1	1		
11	40010391	PISTON-TRG630	D50	1	1	1		
12	40029201	O-RING-S801014010	D13.8×2.4	1	1	1		
13	40029217	O-RING-S801046010	D45.7×3.5	1	1	1		
14	40010392	HEAD-CYLINDER-TRG630		1	1	1		
15	40007505	GASKET-U-TRG630	D22.4	1	1	1		
16	40007547	SEAL-DUST-TRG630	D22.4	1	1	1		
17	40012658	RING-WIRE-TRG630	D2	1	1	1		
18	40012659	RING-STOP-TRG630		1	1	1		
19	40010390	ROD-POSITION-TRG630	D22.4	1	1	1		

# STEERING COLUMN

FIG. 6-3

G. 630



# STEERING COLUMN

A-C3030, B-C3035, C-C3040

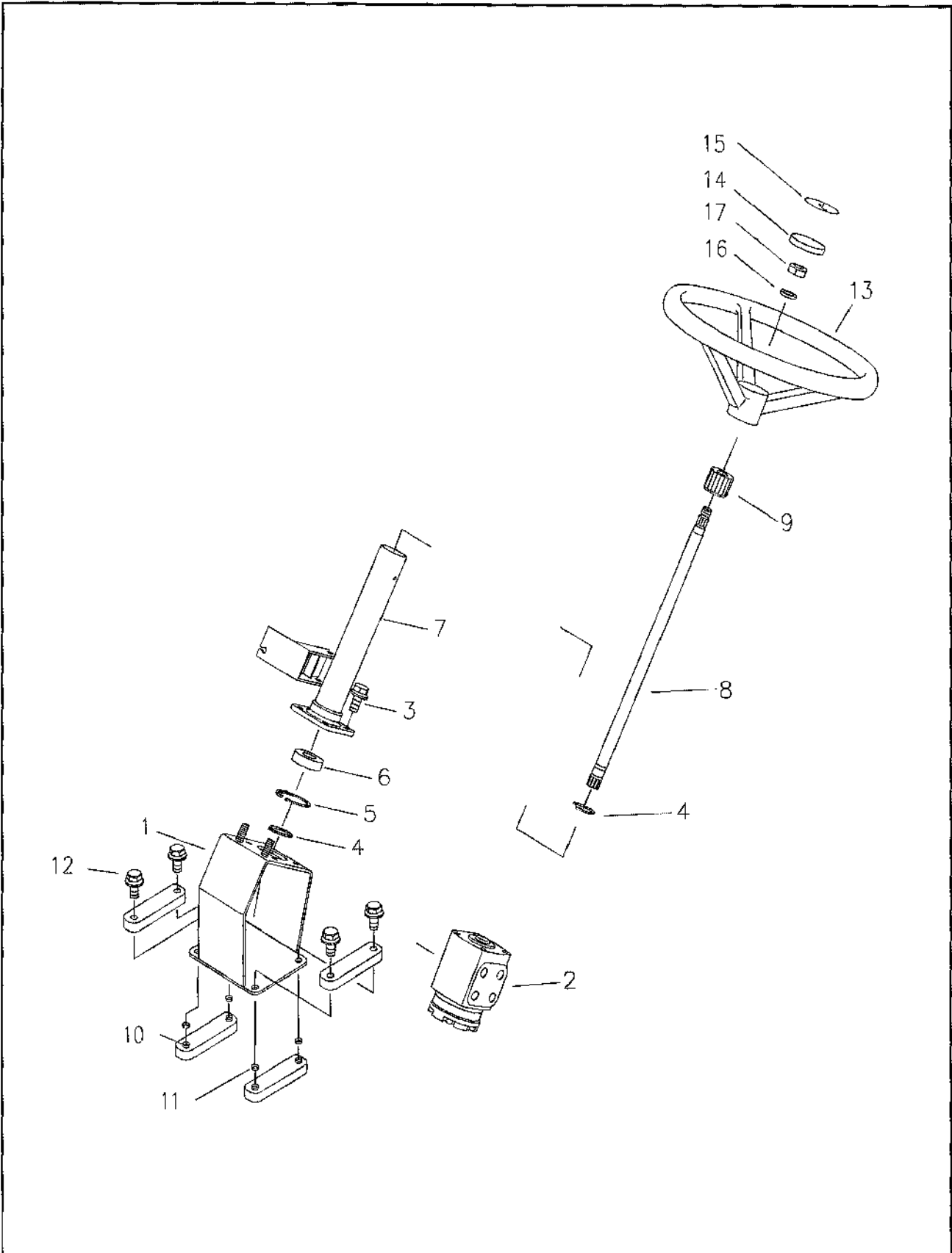
**FIG. 6-3**

NO.	PART NO.	PART NAME & DESCRIPTION	QTY			APP.NO	REM.
			A	B	C		
1	40011218	SUPPORT-STEERING-TRG630	1	1	1		
2	40034632	UNIT-STEERING-TRG630	1	1	1		
3	40028948	BOLT-HEX WWS-S154102533	4	4	4		
4-9	40008098	COLUMN ASSY-STEERING-G630	1	1	1		
4	40029265	RING-SNAP-S810020001	2	2	2		
5	40029294	RING-SNAP-S811042001	1	1	1		
6	40007751	BEARING-BALL-TRG970	1	1	1		
7	40011789	COLUMN-STEERING-TRG630	1	1	1		
8	40010187	SHAFT-STR/COLUMN-TRG630	1	1	1		
9	40007475	SEAL-STEETING-TRG630	1	1	1		
10	40007541	RUBBER-DAMPING-TRG630	4	4	4		
11	40012414	COLLAR-STEERING-TRG630	4	4	4		
12	40028987	BOLT-HEX WWS-S156103033	4	4	4		
13-15	40006219	WHEEL-STEERING-TRG630	1	1	1		
13	*	WHEEL-STEERING-TRG630	1	1	1		
14	40008399	CAP-HANDLE-TRG630	1	1	1		
15	40008567	DECAL-HANDLE CAP LS-TRG980	1	1	1		
16	40029553	WASHER-SPR-S361140013	1	1	1		
17	40029051	NUT-HEX SMALL-S314140013	1	1	1		

# 조향 칼럼 STEERING COLUMN

FIG. 6-3

G. 630



STEERING COLUMN

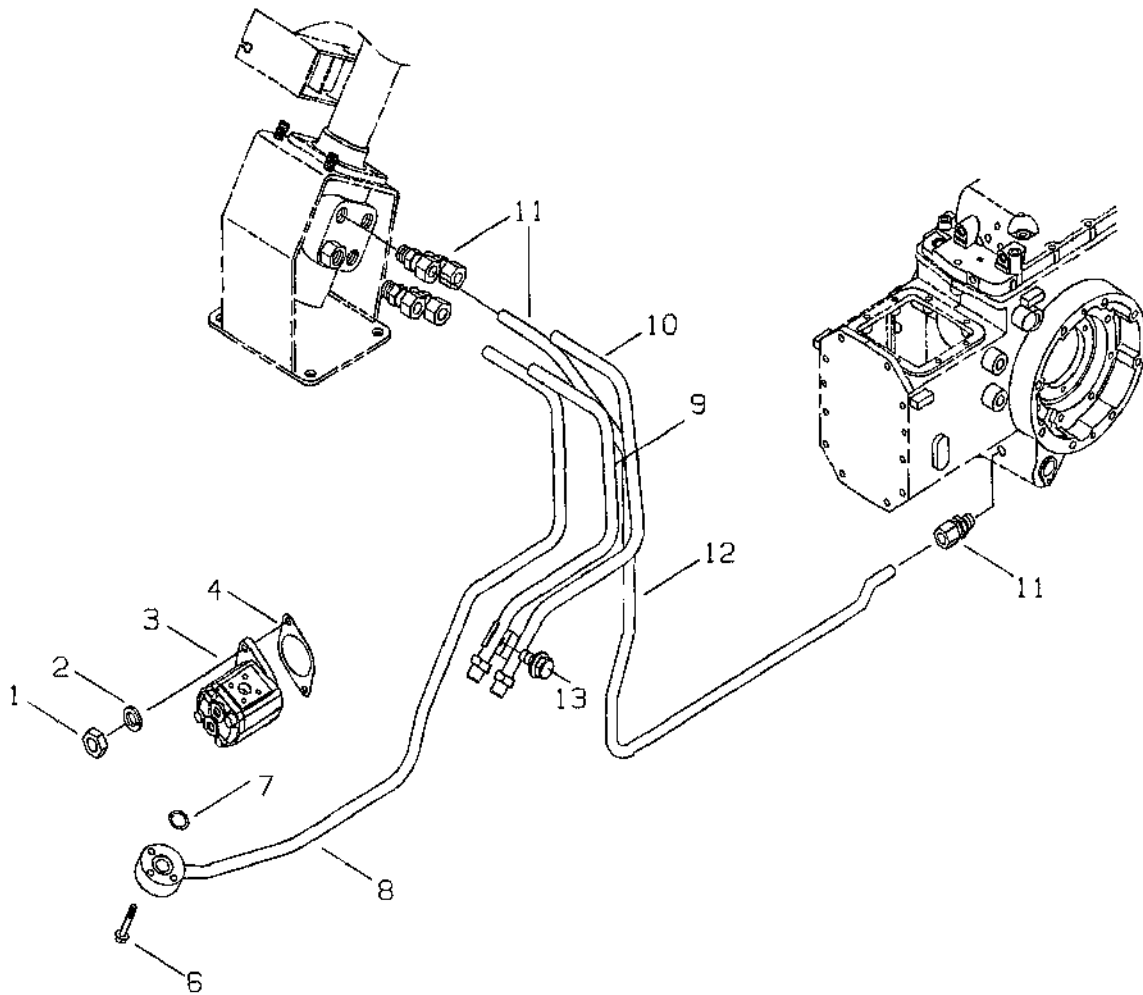
FIG. 6-3

번호 NO.	부품번호 PART NO.	부 품 명 PART NAME & DESCRIPTION	QTY			적용호기 APP. NO	비고 REM.
			A	B	C		
1	40011218	SUPPORT-STEERING-TRG630	1	1	1		
2	40034632	UNIT-STEERING-TRG630	1	1	1		
3	40028948	BOLT-HEX W/WS-S154102533	4	4	4		
4~9	40008098	COLUMN ASSY-STEERING-G630	1	1	1		
4	40029265	RING-SNAP-S810020001	2	2	2		
5	40029294	RING-SNAP-S811042001	1	1	1		
6	40007751	BEARING-BALL-TRG970	1	1	1		
7	40011789	COLUMN-STEERING-TRG630	1	1	1		
8	40010187	SHAFT-STR/COLUMN-TRG630	1	1	1		
9	40007475	SEAL-STEETING-TRG630	1	1	1		
10	40007541	RUBBER-DAMPING-TRG630	4	4	4		
11	40012414	COLLAR-STEERING-TRG630	4	4	4		
12	40028987	BOLT-HEX W/WS-S156103033	4	4	4		
13~15	40008219	WHEEL-STEERING-TRG630	1	1	1		
13	40008424	WHEEL-STEERING-TRG630	1	1	1		
14	40008399	CAP-HANDLE-TRG630	1	1	1		
15	40049952	DECAL-LG MARK-TRG980	1	1	1		
16	40029553	WASHER-SPR-S361140013	1	1	1		
17	40029051	NUT-HEX SMALL-S314140013	1	1	1		

# STEERING PIPE LINE

FIG. 6-4C

G. 630



# STEERING PIPE LINE

A-C3030, B-C3035, C-C3040

FIG. 6-4C

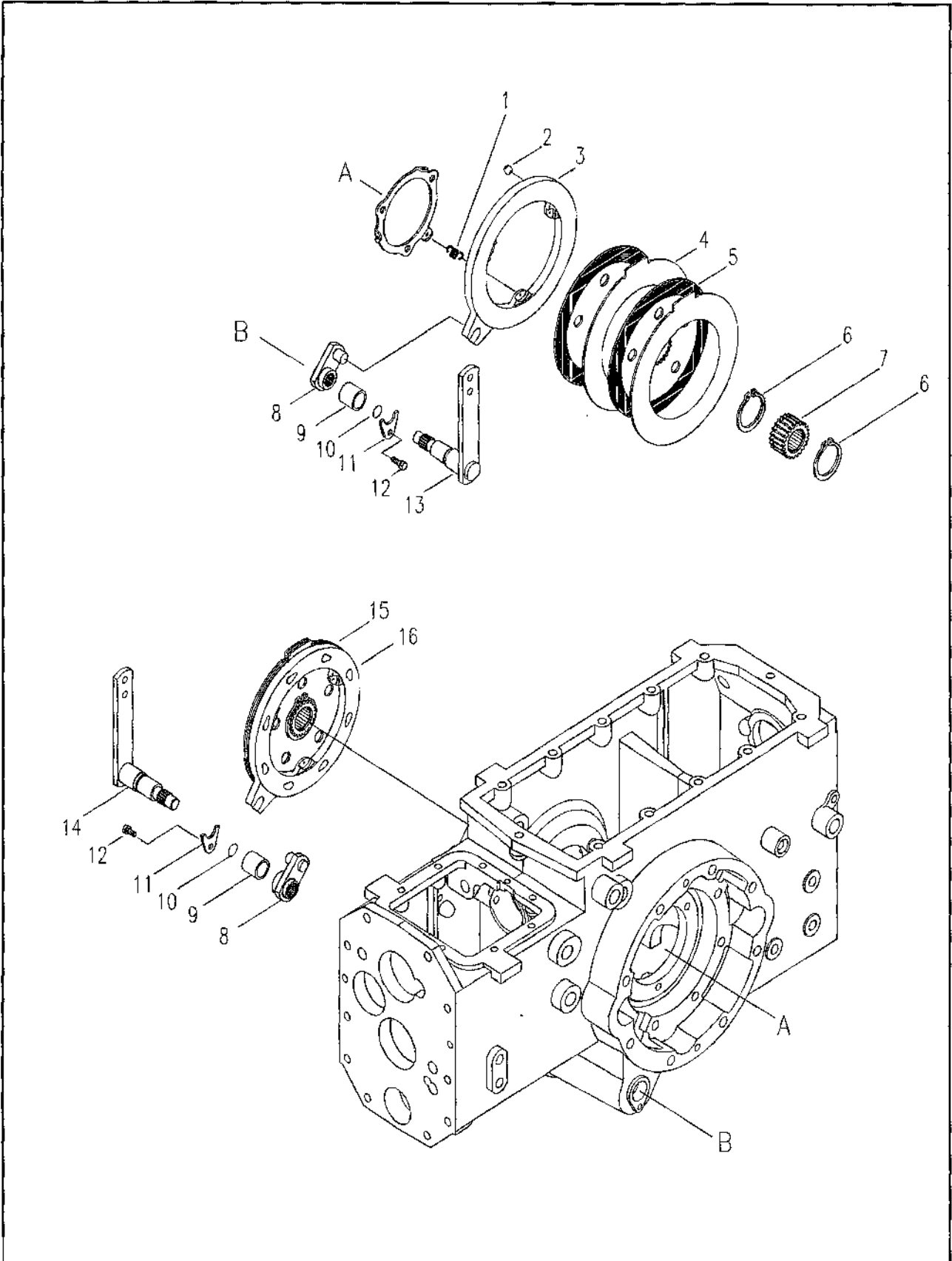
NO.	PART NO.	PART NAME & DESCRIPTION	QTY			APP.NO	REM.	
			A	B	C			
1	40029040	NUT-HEX SMALL-S313080013	M8×1.25	2	2	2		
2	40029546	WASHER-SPR-S361080013	Φ15.4×Φ8.2×2t	2	2	2		
3	40007600	PUMP-STEERING-TRG630	7cc/rev	1	1	1		
4	40006913	GASKET-PUMP-TRG630	0.6t	1	1	1		
5	40007331	RUBBER-CLAMP-TRG630		1	1	1	-20060131	
6	40028914	BOLT-HEX WWS-S153063533	M6×1.0×35	3	3	3		
7	40029206	O-RING-S801018010	D17.8×2.4	1	1	1		
8,11	40150828	SUB ASSY-PRESSURE-TRG630		1	1	1	-20050430	
	40008042	PIPE ASSY-STR/PRS-G630		1	1	1	-20050131	
	40008071	PIPE ASSY-STR/PRS-G630		1	1	1	20000201~	O
8	40156936	PIPE-P/S PRESSURE-TRG630		1	1	1	-20050430	
	40011009	PIPE-STR/PRESSURE-TRG630		1	1	1	-20060131	
	40011097	PIPE-STR/PRESSURE-TRG630		1	1	1	20060201~	O
9,11	40008179	PIPE ASSY-STR(RH)-G823		1	1	1	-20060131	
	40008143	PIPE ASSY-STR(LH)-G630		1	1	1	20060201~	O
9	40011192	PIPE-STEERING-TRG630		1	1	1	-20060131	
	40011669	PIPE-STEERING-TRG630		1	1	1	20060201~	O
10,11	40008178	PIPE ASSY-STR(LH)-G630		1	1	1	-20060131	
	40008144	PIPE ASSY-STR(LH)-G630		1	1	1	20060201~	O
10	40011193	PIPE-STEERING-TRG630		1	1	1	-20060131	
	40012551	PIPE-STEERING-TRG630		1	1	1	20060201~	O
11	40009978	JOINT-TRG630	BOM12-03G	5	5	5		
11,12	40007991	PIPE ASSY-STR/DRAIN-G630		1	1	1		
12	40011083	PIPE-STR/DRAIN-TRG630		1	1	1		
13	40028967	BOLT-HEX WWS-S155062533	M6 X 1.0 X 25	1	1	1	20060201~	O



# BRAKE

FIG. 7-1

G. 650

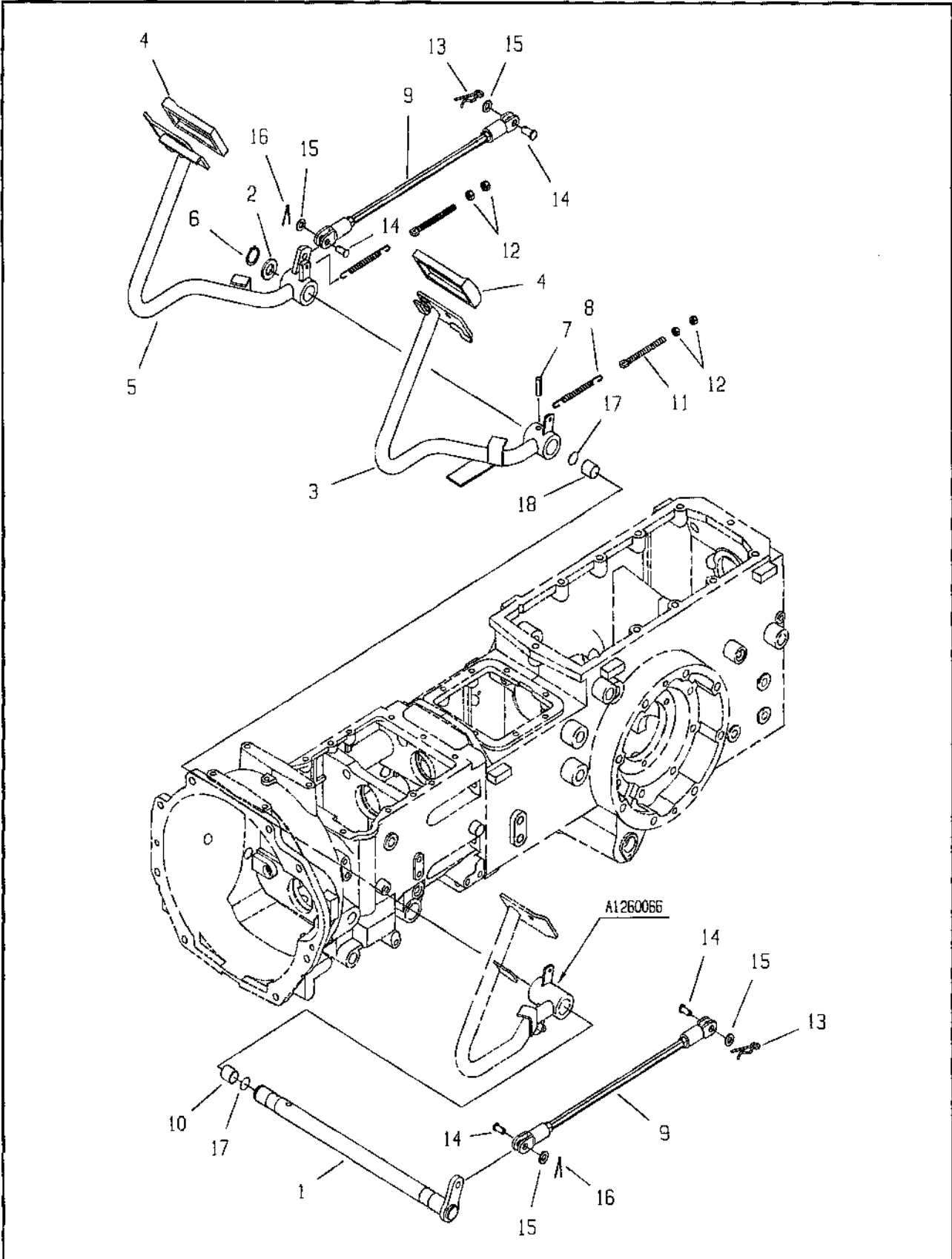




# BRAKE PEDALS

FIG. 7-2

G. 670



# BRAKE PEDALS

A-C3030, B-C3035, C-C3040

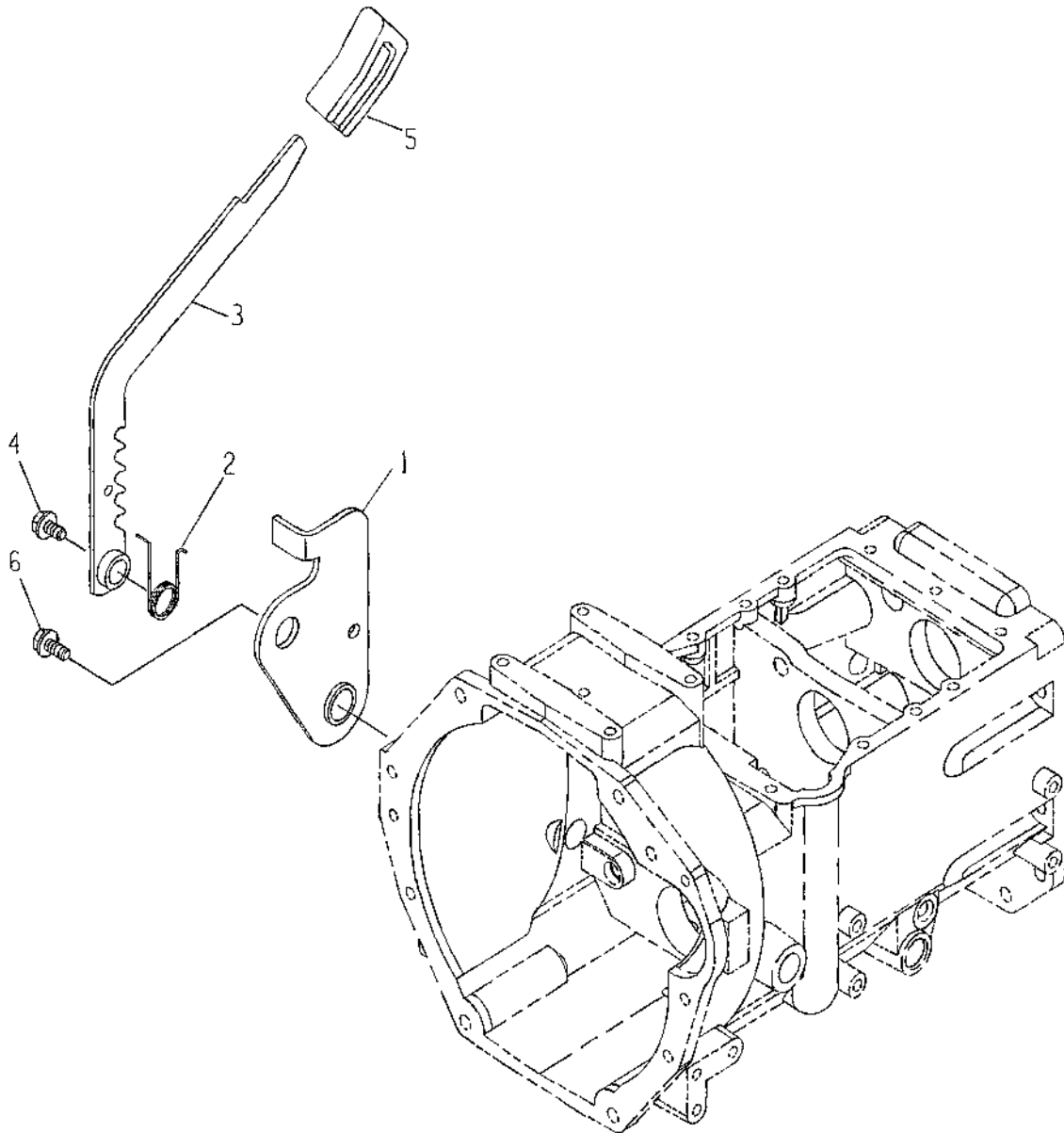
**FIG. 7-2**

NO.	PART NO.	PART NAME & DESCRIPTION	QTY			APP. NO	REM.
			A	B	C		
1	40011069	SHAFT-BRAKE PEDAL-TRG670	1	1	1		
2	40028184	WASHER-PLN-S364240013	1	1	1		
3	40011270	PEDAL-BRAKE(LH)-TRG670	1	1	1		
4	40007382	PAD-PEDAL-TRG670	2	2	2		
5	40011153	PEDAL-BRAKE(RH)-TRG670	1	1	1		
6	40029271	RING-SNAP-S810025001	1	1	1		
7	40029179	PIN-SPRING-S446084012	1	1	1		
8	40011962	SPRING-TRG670	2	2	2		
9	40013046	BRAKE-ROD ASSY-G670	2	2	2		
10	40009874	BUSHING-DU-TRG970	2	2	2		
11	40012138	BOLT-ADJUST-TRG260	2	2	2		
12	40028721	NUT-HEX 1 TY-S301080043	4	4	4		
13	40029133	PIN-SNAP-S443120013	2	2	2		
14	40009617	PIN-TRG670	4	4	4		
15	40028171	WASHER-PLN-S364100013	4	4	4		
16	40029121	PIN-SPLIT-S441252013	2	2	2		
17	40029211	O-RING-S801025010	2	2	2		

# PARKING BRAKE

FIG. 7-3A

G. 670



# PARKING BRAKE

A-C3030, B-C3035, C-C3040

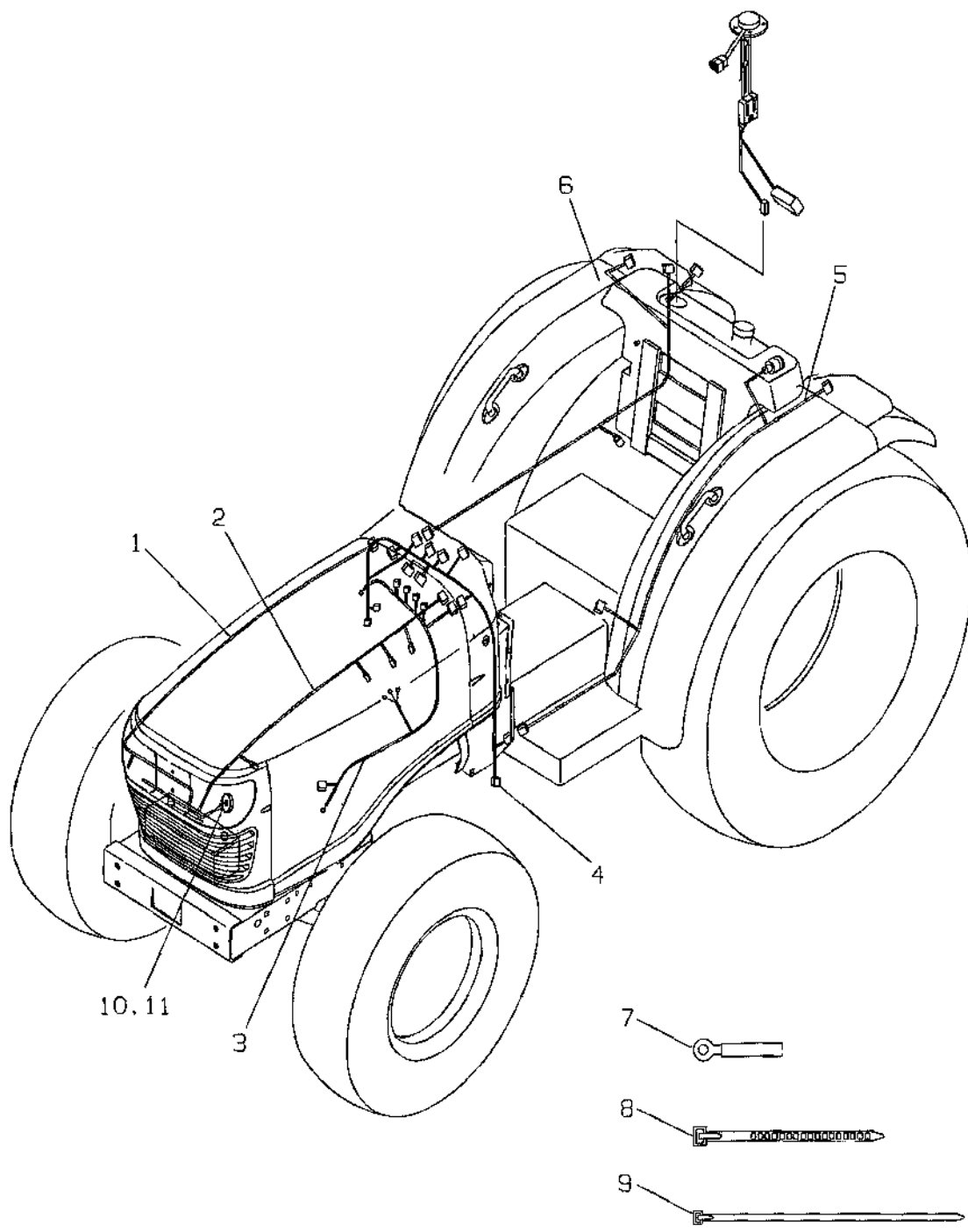
FIG. 7-3A

NO.	PART NO.	PART NAME & DESCRIPTION	QTY			APP.NO	REM.
			A	B	C		
1	40012597	BRACKET-TRG670	1	1	1		
2	40012530	SPRING-TRG670	1	1	1		
3	40012637	RACHET-PARKING-TRG670	1	1	1		
4	40028988	BOLT-HEX WWS-S156103533	1	1	1		M10x1.25
5	40008375	KNOB-HYD. LIFT LEVER-TRG970	1	1	1		
6	40028986	BOLT-HEX WWS-S156102533	1	1	1		M10x1.25x25

# ELECTRICAL WIRING

FIG. 8-1B

G. 730



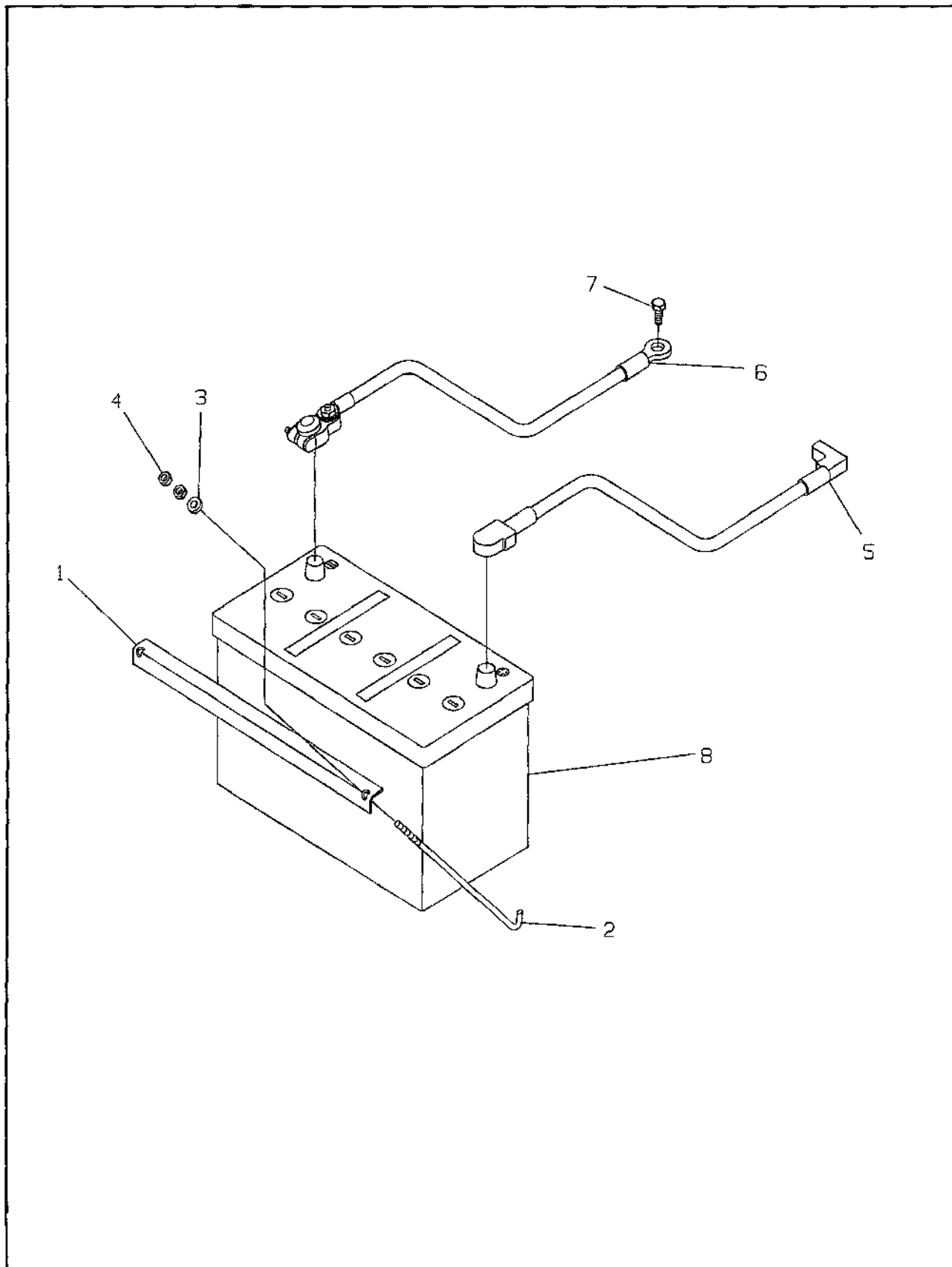




# BATTERY

FIG. 8-2

G. 740

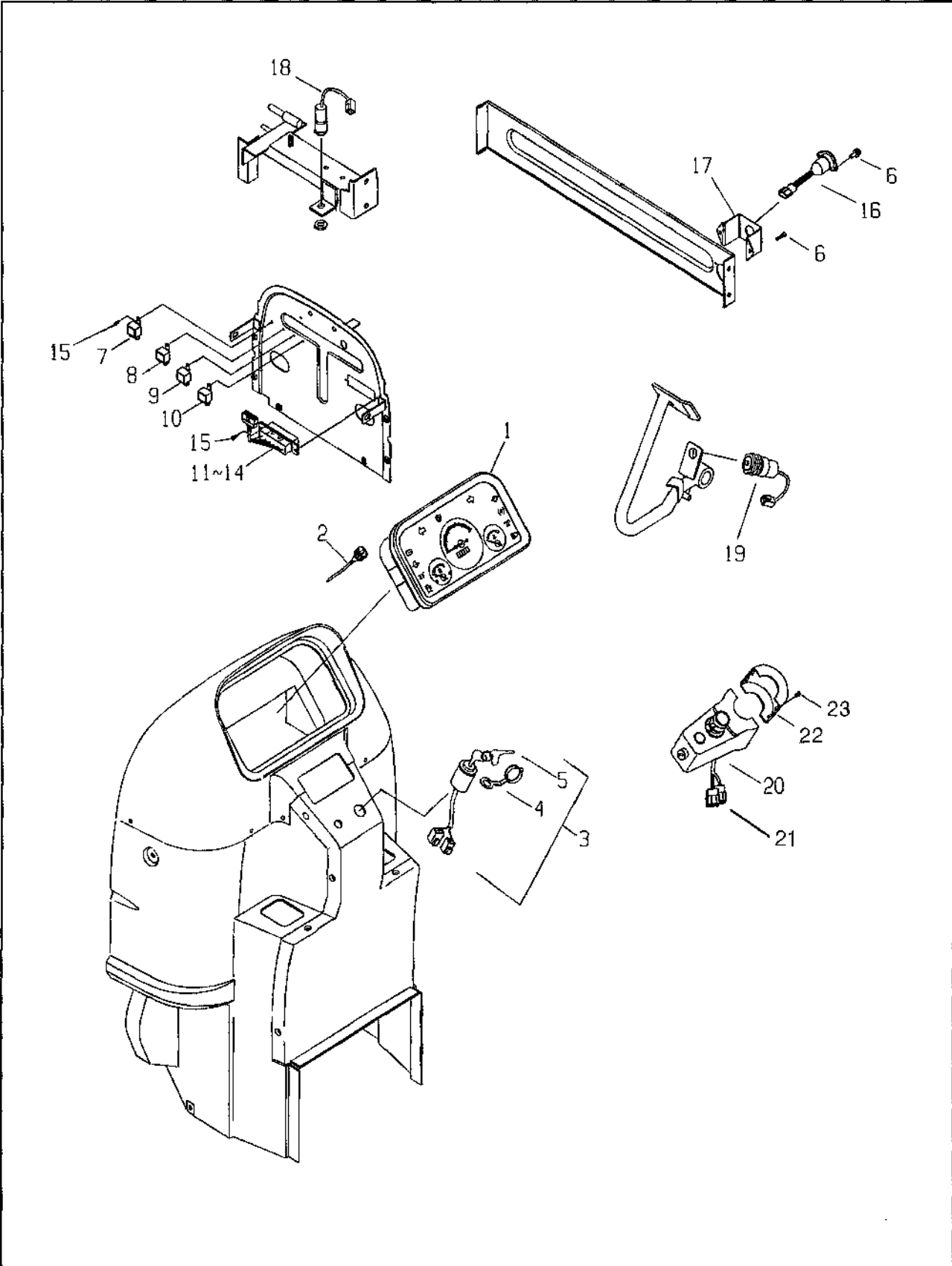




# INSTRUMENT PANEL

FIG. 8-3B

G. 750



# INSTRUMENT PANEL

A-C3030, B-C3035, C-C3040

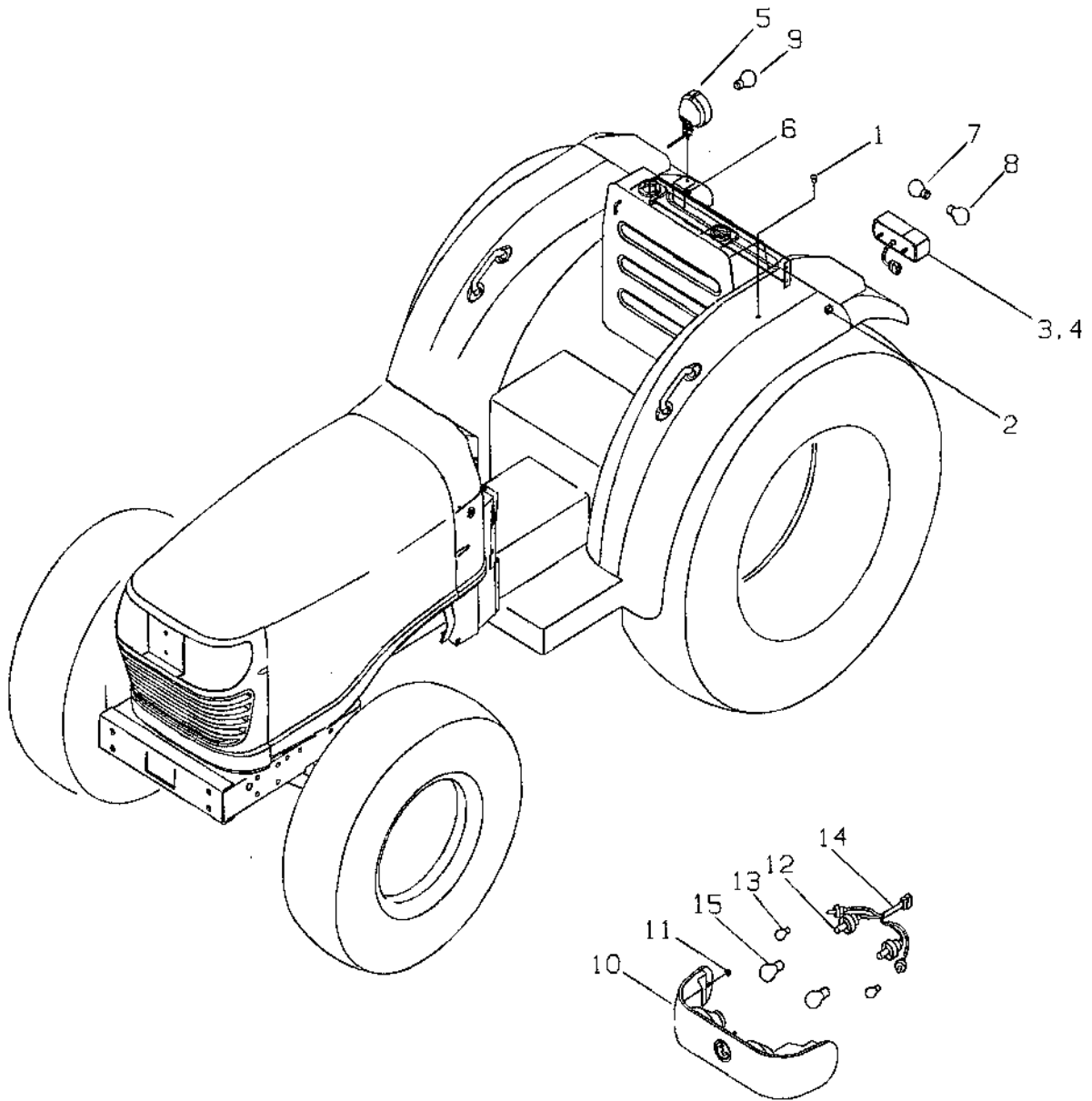
FIG. 8-3B

NO.	PART NO.	PART NAME & DESCRIPTION	QTY			APP.NO	REM.
			A	B	C		
1	40007035	PANEL-INSTRUMENT-TRG750	1	1	1		
-	40007201	LAMP-INDICATOR-TRG750	6	6	6		
-	40007204	LAMP-INDICATOR-TRG750	6	6	6		
2	40007887	CABLE-TACHOMETER-TRG750	1	1	1		
3	20020343	SWITCH ASSY-KEY-TRG750	1	1	1		
4	40008420	CAP-KEY-TRG750	1	1	1		
5	40012654	KEY-START-TRG750	1	1	1		
6	40028970	BOLT-HEX W/WS-S155081633	4	4	4		OPT
7	40007069	RELAY-GLOW-TRG750	1	1	1		
8	40007096	TIMER-GLOW-TRG750	1	1	1		
9	40007175	RELAY-START-TRG750	1	1	1		
10	40007184	RELAY-CBG000	1	1	1		
11~14	40007084	BOX ASSY-FUSE-TRG750	1	1	1		
11	*	BOX-FUSE-CBG000	1	1	1		
12	40012886	FUSE-10A-A0751005	4	4	4		
13	40012889	FUSE-15A-A0751006	3	3	3		
14	40012890	FUSE-20A-A0751007	2	2	2		
15	40028998	BOLT-HEX W/WS-S159061633	6	6	6		
16	40007081	CONNECTOR ASSY-7P(ASAE)-TRG730	1	1	1		OPT
17	40011287	BRACKET-7P(ASAE)-TRG750	1	1	1		OPT
18	20020341	SWITCH-MICRO-TRG750	1	1	1		
19	40007152	SWITCH ASSY-START/PTO-TRG750	1	1	1		
20~21	40007063	SWITCH ASSY-COMBI-TRG750	1	1	1		
20	40008299	COVER-COMBI SWITCH-TRG750	1	1	1		
21	40007049	SWITCH-COMBI-TRG750	1	1	1		
22	40008300	COVER-COMBI SWITCH-TRG750	1	1	1		
23	40028692	SCREW-CROSS RD-S224402511	4	4	4		

# LAMP

FIG. 8-4B

G. 760



# LAMP

A-C3030, B-C3035, C-C3040

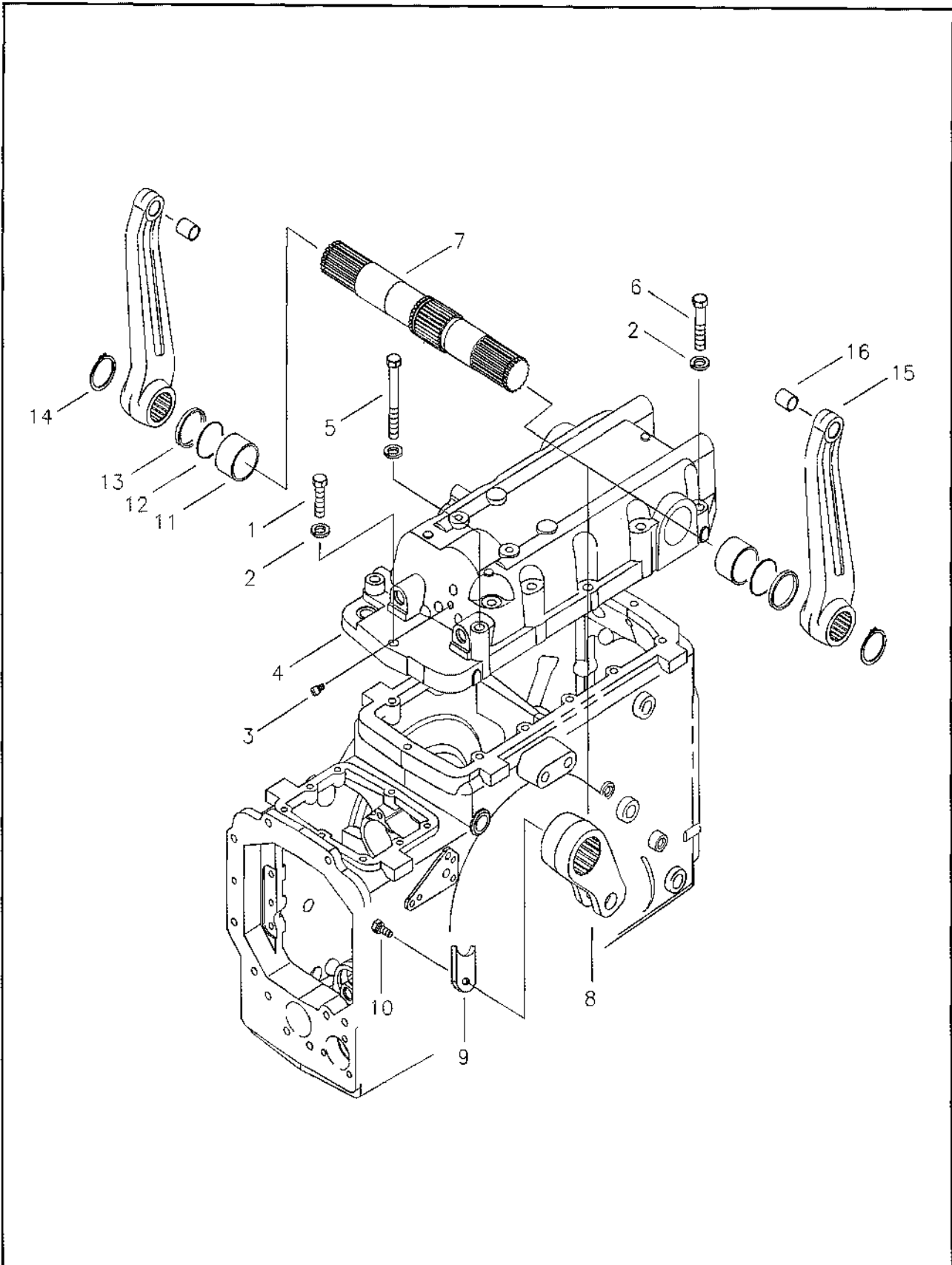
**FIG. 8-4B**

NO.	PART NO.	PART NAME & DESCRIPTION	QTY			APP. NO	REM.
			A	B	C		
1	40012761	PLUG-A0610083					
2	40028765	NUT-HEX 2 TY-S305060043	M6X1.0P	2	2	2	
3	40007013	LAMP ASSY-REAR COMBI(RH)-TRG760		4	4	4	
4	40007066	LAMP ASSY-REAR COMBI(LH)-TRG760		1	1	1	
5	40007000	LAMP ASSY-WORK-TRG760		1	1	1	
6	40029040	NUT-HEX SMALL-S313080013	M8X1.25P	1	1	1	
7	40152755	BULB-SIGNALLAMP-A1760042	12V/10/5W	2	2	2	
8	40059364	BULB-COMBITLAMP-A1760041	12V/8W	2	2	2	
9	40007203	BULB-23W-TRG760		1	1	1	
10-15	40007014	LAMP ASSY-HEAD-TRG760		1	1	1	
10	40008439	LENS-HEAD LAMP-TRG760		1	1	1	
11	40029073	NUT-FLANGE-S345060013	M6x0.8	4	4	4	
12	40007456	CAP-RUBBER-TRG970		1	1	1	
13	40007208	LAMP-TURN SIGNAL-TRG760		2	2	2	
14	40007216	HARNESS-HEAD LAMP-TRG730		1	1	1	
15	40007206	LAMP-HEAD-TRG760	12V/35/35W	2	2	2	

# HYDRAULIC HOUSING

FIG. 9-1A

G. 820



04-07-01

00

# HYDRAULIC HOUSING

A-C3030, B-C3035, C-C3040

**FIG. 9-1A**

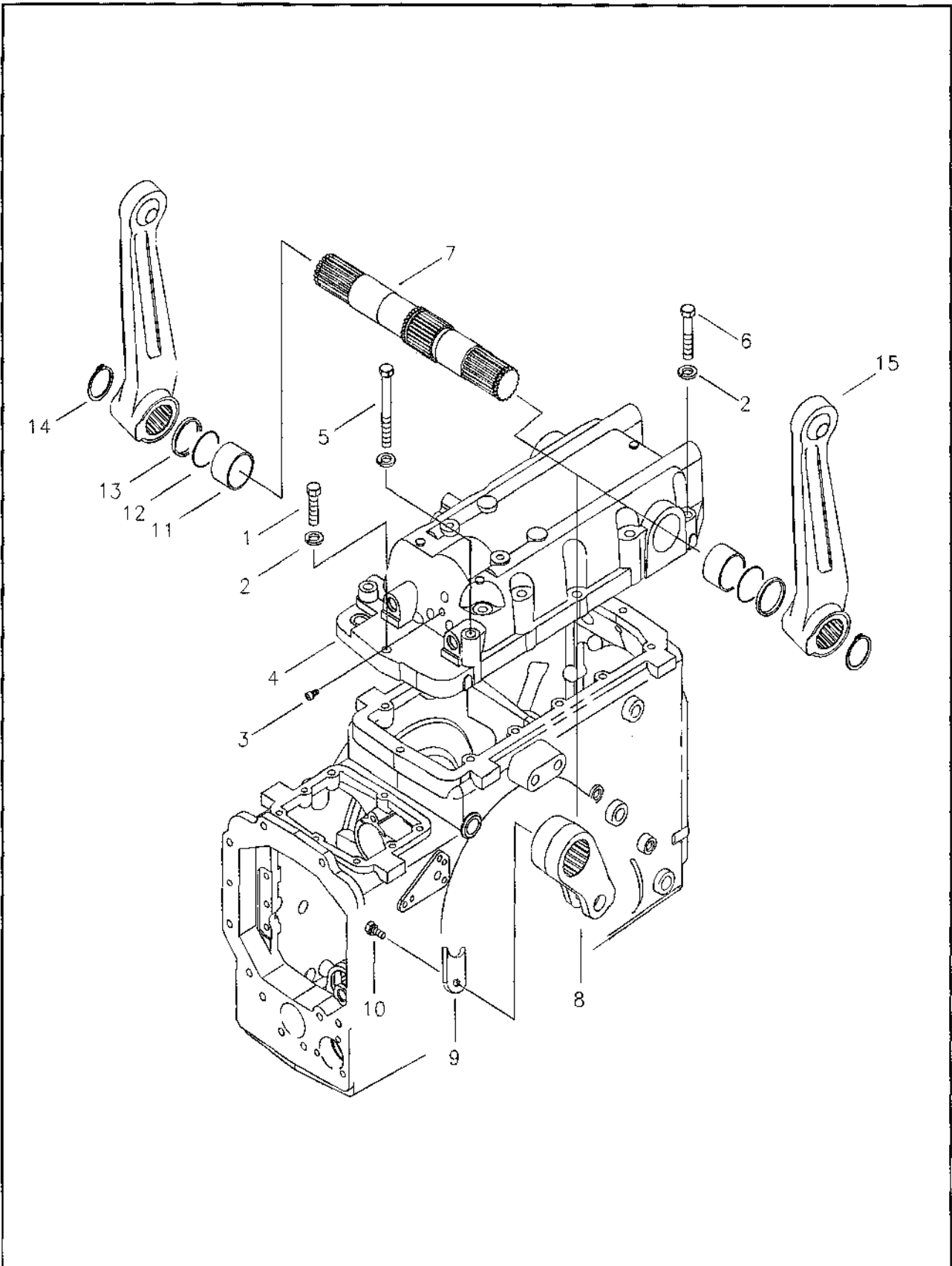
NO.	PART NO.	PART NAME & DESCRIPTION	QTY			APP.NO	REM.	
			A	B	C			
1	40028873	BOLT-HEX-S105124543	M12×1.75×45	4	4	4		
2	40029551	WASHER-SPR-S361120013	Φ21.5×Φ12.2×3t	12	12	12		
3	40009792	PLUG-AIR BENT-TRG250		1	1	1		
4	40010387	HOUSING-HYDRAULIC-TRG820		1	1	1		
5	40028879	BOLT-HEX-S105128543	M12×1.75×85	4	4	4		
6	40028876	BOLT-HEX-S105126043	M12×1.75×60	4	4	4		
7	40008985	SHAFT-HYD/LIFT-TRG821		1	1	1		
8	40009444	ARM-POWER-TRG821		1	1	1		
9	40011870	PLATE-LOCK-TRG826		1	1	1		
10	40028919	BOLT-HEX WWS-S153081633	M8×1.25×16	1	1	1		
11	40009718	BUSHING-HYD/LIFT SHAFT-TRG821	Φ45×Φ50×30	2	2	2		
12	40029223	O-RING-S802045010	D44.4×3.1	2	2	2		
13	40008344	COLLAR-DUST-TRG821	Φ45×Φ50×5	2	2	2		
14	40029278	RING-SNAP-S810042001	Φ38.5	2	2	2		
15	40009436	ARM-LIFT-TRG821		2	2	2		
16	40009651	BUSHING-LIFT ARM-TRG821	Φ19×Φ22×25	2	2	2		



# HYDRAULIC HOUSING

FIG. 9-1B

G. 820



04-07-01

00

# HYDRAULIC HOUSING

A-C3030, B-C3035, C-C3040

FIG. 9-1B

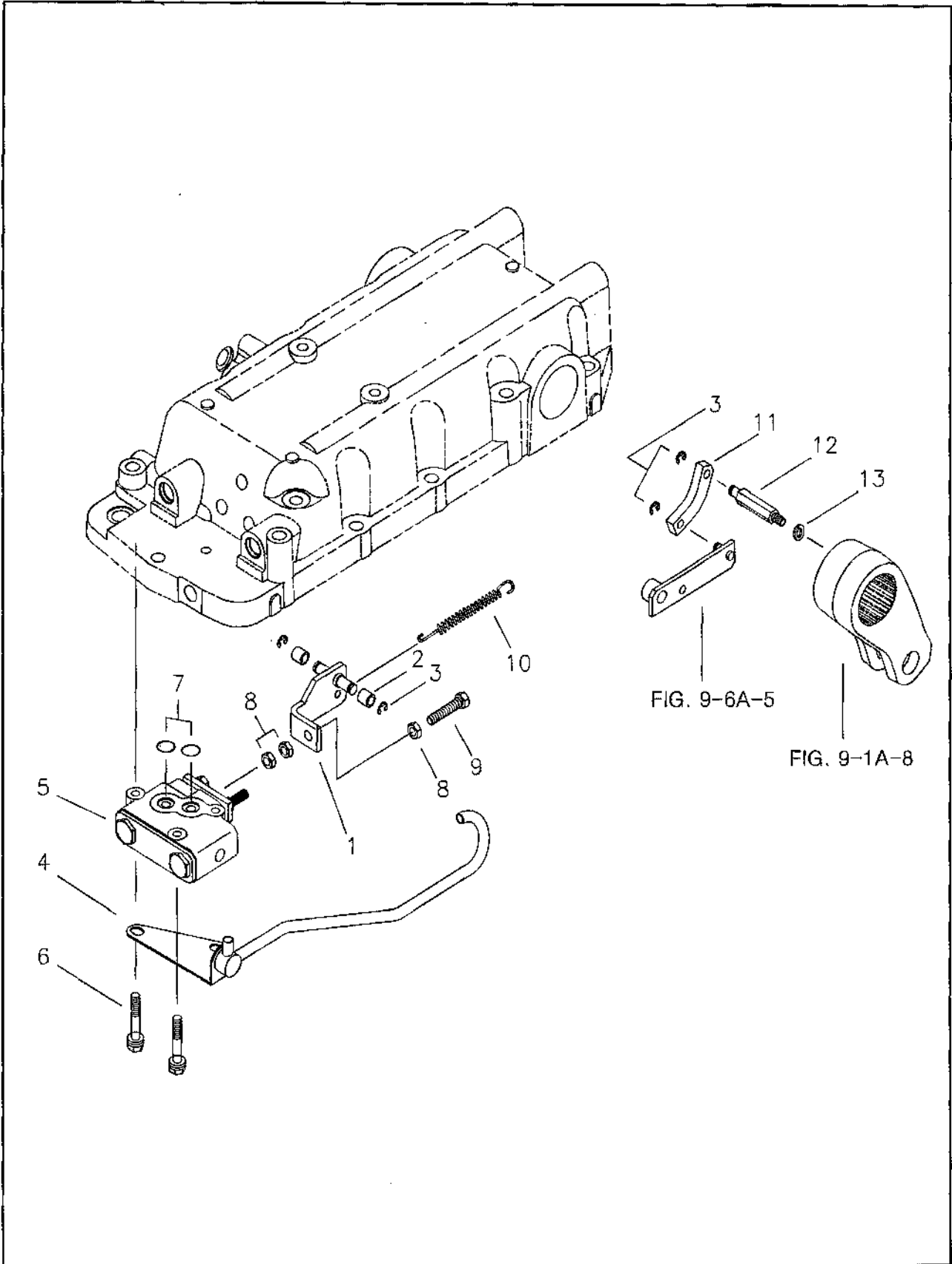
( AUTO/L )

NO.	PART NO.	PART NAME & DESCRIPTION	QTY			APP.NO	REM.
			A	B	C		
1	40028873	BOLT-HEX-S105124543	M12×1.75×45	4	4	4	
2	40029551	WASHER-SPR-S361120013	Φ21.5×Φ12.2×3t	12	12	12	
3	40009792	PLUG-AIR BENT-TRG250		1	1	1	
4	40010387	HOUSING-HYDRAULIC-TRG820		1	1	1	
5	40028879	BOLT-HEX-S105128543	M12×1.75×85	4	4	4	
6	40028876	BOLT-HEX-S105126043	M12×1.75×60	4	4	4	
7	40008985	SHAFT-HYD/LIFT-TRG821		1	1	1	
8	40009444	ARM-POWER-TRG821		1	1	1	
9	40011870	PLATE-LOCK-TRG826		1	1	1	
10	40028919	BOLT-HEX W/WS-S153081633	M8×1.25×16	1	1	1	
11	40009718	BUSHING-HYD/LIFT SHAFT-TRG821	Φ45×Φ50×30	2	2	2	
12	40029223	O-RING-S802045010	D44.4×3.1	2	2	2	
13	40008344	COLLAR-DUST-TRG821	Φ45×Φ50×5	2	2	2	
14	40029278	RING-SNAP-S810042001	Φ38.5	2	2	2	
15	40008047	ARM ASSY-LIFT-G821		2	2	2	

# LIFT CONTROL VALVE & LINK

FIG. 9-2B

G. 822

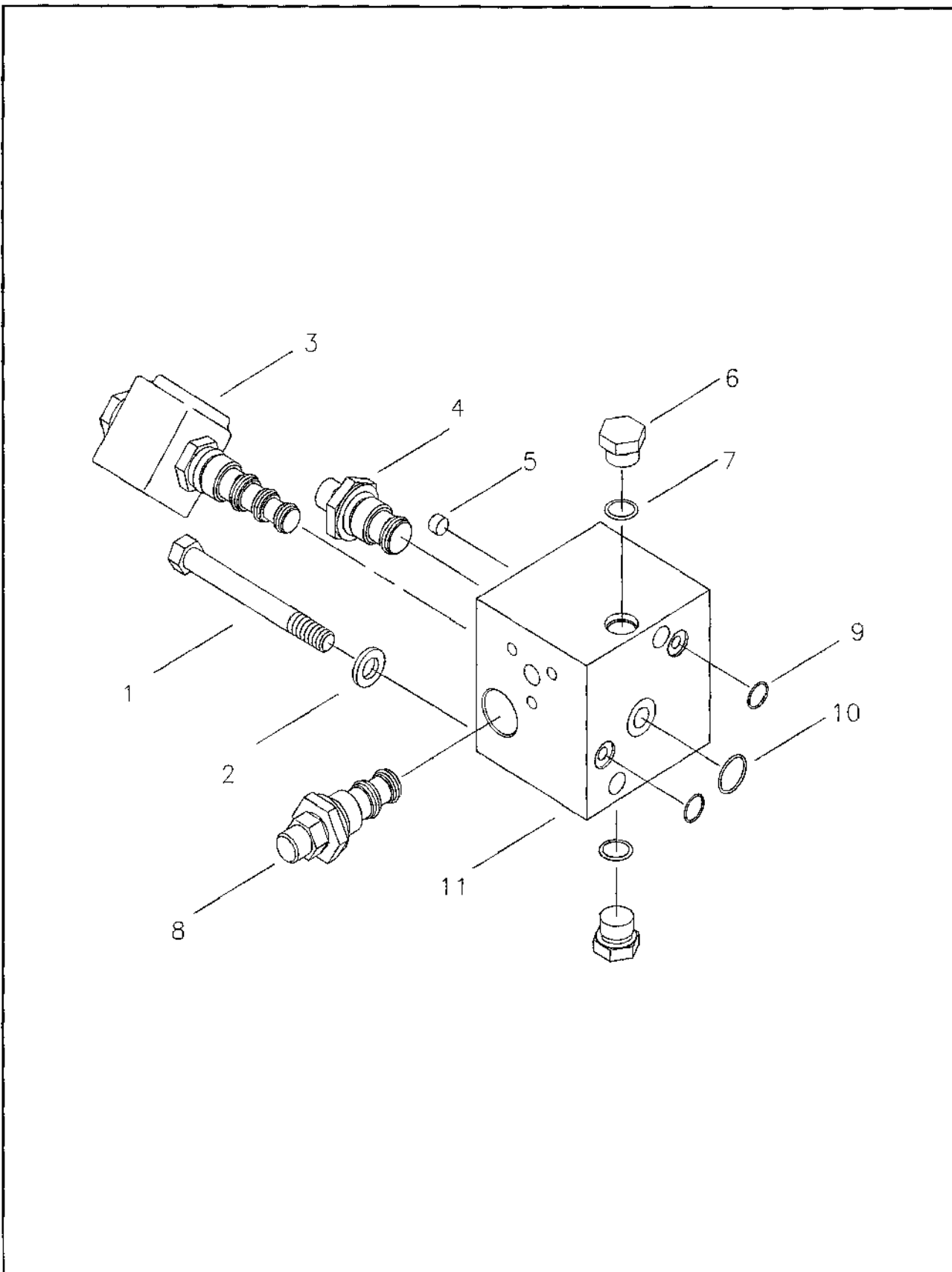




# TM CONTROL VALVE

FIG. 9-3

G. 822



# TM CONTROL VALVE

A-C3030, B-C3035, C-C3040

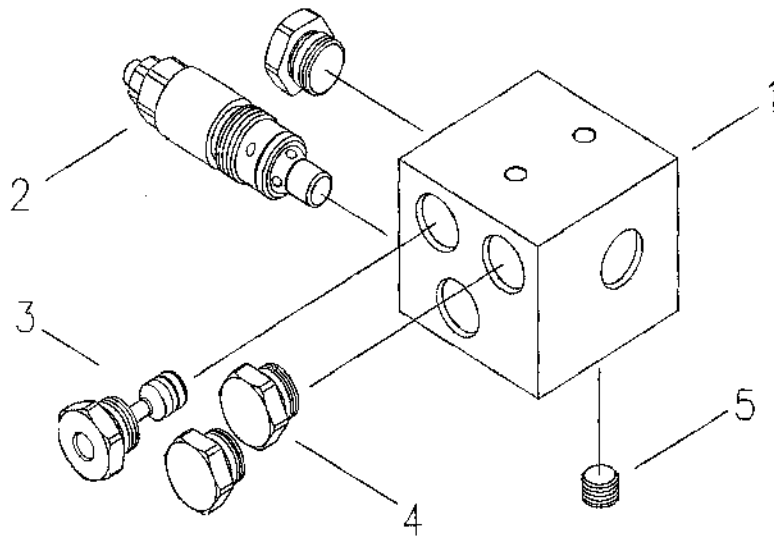
FIG. 9-3

NO.	PART NO.	PART NAME & DESCRIPTION	QTY			APP. NO	REM.
			A	B	C		
1	40028889	BOLT-HEX-S107109043	M10×1.25×90	2	*	2	
2	40029549	WASHER-SPR-S361100013	Φ18.4×Φ10.2×2.5t	2	*	2	
3~11	40008099	VALVE ASSY-IND/PTO-TRG822		1	*	1	
3	40007701	VALVE-SOLENOID-TRG822		1	*	1	
4	40007666	VALVE-SEQUENCE-TRG822		1	*	1	
5	40007973	ORIFICE-TRG822	Φ1.3	1	*	1	
6	40008440	PLUG-TRG822	PF1/4	2	*	2	
7	40029197	O-RING-S801011010	D10.8x2.4	2	*	2	
8	40007706	VALVE-REDUCING-TRG822		1	*	1	
9	40029198	O-RING-S801011011	D9.8x2.4	2	*	2	
10	40029206	O-RING-S801018010	D17.8x2.4	1	*	1	
11	40009309	BLOCK-PTO VALVE-TRG822		1	*	1	

# FRONT OUTLET & LOADER VALVE

FIG. 9-4

G. 822



04-07-01

00

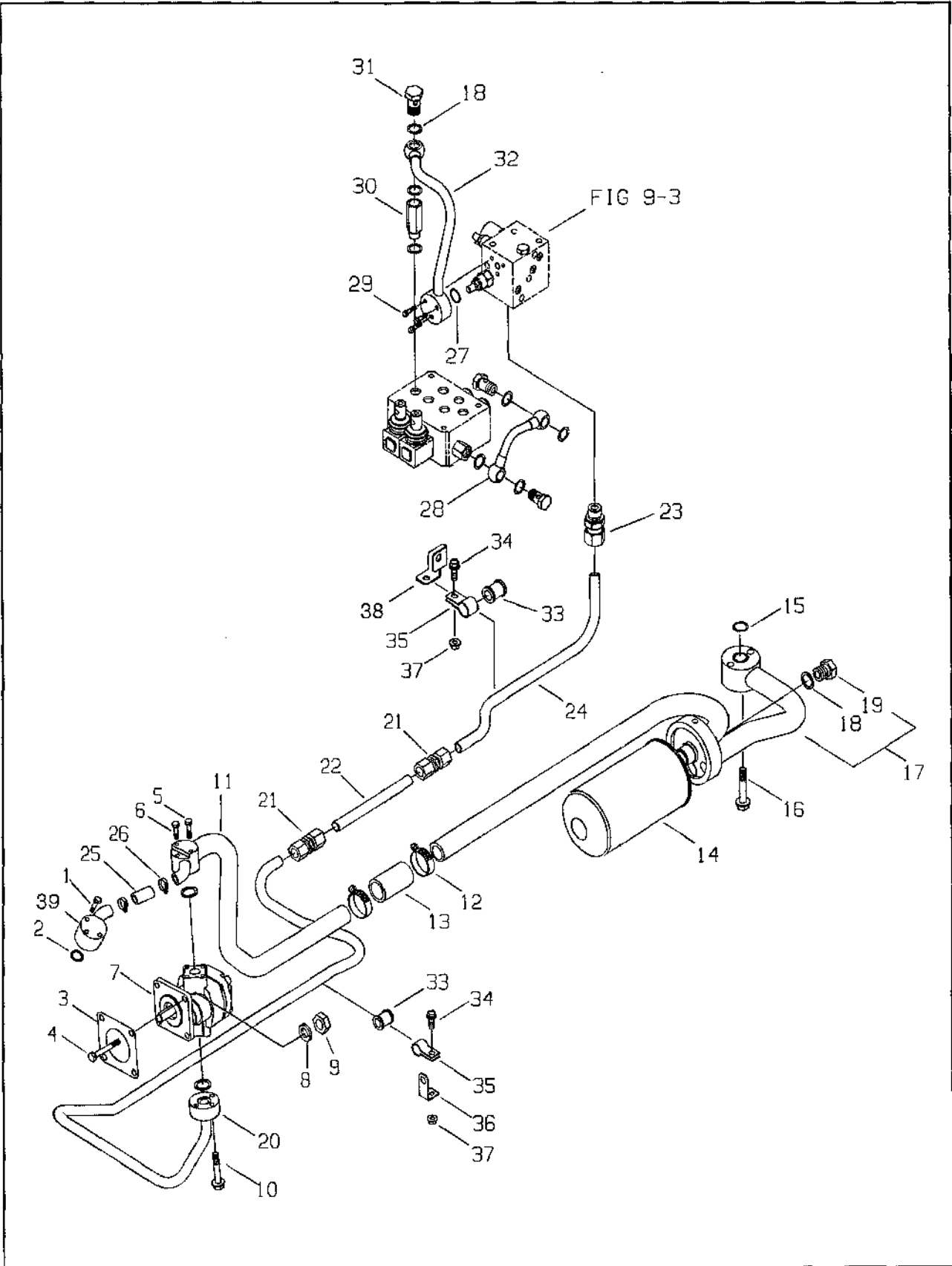




# HYDRAULIC PIPE LINE

FIG. 9-5C

G. 823



# HYDRAULIC PIPE LINE

A-C3030, B-C3035, C-C3040

FIG. 9-5C

( INDP )

NO.	PART NO.	PART NAME & DESCRIPTION		QTY			APP.NO	REM.
				A	B	C		
1	40028916	BOLT-HEX W/WS-S153064533	M6×1.0×45	3	*	3		
2	40029206	O-RING-S801018010	D17.8×D2.4	3	*	3		
3	40006908	PACKING-HYD/PUMP-TRG823	0.6t	1	*	1		
4	40009554	BOLT-HEX-TRG970	M8×1.25×150	2	*	2		
5	40028917	BOLT-HEX W/WS-S153065033	M6×1.0×55	2	*	2		
6	40028915	BOLT-HEX W/WS-S153064033	M6×1.0×40	1	*	1		
7	40007618	PUMP-MAIN-TRG823	12cc/rev	1	*	1		
8	40029546	WASHER-SPR-S361080013	D8.2×2t	4	*	4		
9	40029041	NUT-HEX SMALL-S313080043	M8×1.25	4	*	4		
10	40028913	BOLT-HEX W/WS-S153063033	M6×1.0×30	3	*	3		
11	40011561	PIPE-F/SUCTION-TRG823		1	*	1		
12	40012013	CLAMP-HOSE-TRG970	27-50	2	*	2		
13	40007509	HOSE-SUCTION-TRG823		1	*	1		
14	40007638	FILTER-HYD/OIL-TRG823		1	*	1		
15	40029246	O-RING-S804026010	D25.5×2.0	1	*	1		
16	40028954	BOLT-HEX W/WS-S154105533	M10×1.25×55	2	*	2		
17	40011065	PIPE-R/SUCTION-TRG823		1	*	1		
18	40012415	SEAL-BONDED-TRG823	OD24×ID16.8×1.5t	8	*	8		
19	40012140	PLUG-TRG823	PF3/8	1	*	1		
20~24	40008181	PIPE ASSY-PRS(M/F)-G823		1	*	1		
20	40011738	PIPE-F/PRESSURE-TRG823		1	*	1		
21	40008164	UNION ASSY-STRAIGHT-G823	BU-15	2	*	2		
22	40012413	PIPE-M/PRESSURE-TRG823		1	*	1		
23	40010153	JOINT-TRG823	BOM15-03G	1	*	1		
24	40011553	PIPE-M/PRESSURE-TRG823		1	*	1		
25	40007504	HOSE-SUCTION-TRG823		1	*	1		
26	40012010	CLAMP-HOSE-TRG970		2	*	2		
27	40029204	O-RING-S801016010	D15.8×D2.4	1	*	1		
28	40011737	PIPE-F/OUTLET DRAIN-TRG823	Φ12X1.0t	1	*	1		
29	40028914	BOLT-HEX W/WS-S153063533	M6×1.0×35	3	*	3		
30	40010252	CONNECTOR-UNION-TRG827		1	*	1		
31	40010321	BOLT-UNION-TRG630	PF3/8	3	*	3		
32	40011237	PIPE-REMOCON PRS-TRG823	Φ15X1.5t	1	*	1		
33	40007408	CUSHION-PIPE CLAMP-TRG823		2	*	2		
34	40028973	BOLT-HEX W/WS-S155082533	M8×1.25×25	2	*	2		
35	40012594	CLAMP-PIPE-TRG823		2	*	2		
36	40011831	BRACKET-CLAMP-TRG823		1	*	1		
37	40029075	NUT-FLANGE-S345080013	M8×1.25	2	*	2		
38	40012209	BRACKET-PIPE CLAMP-TRG823		1	*	1		
39	40012418	ADAPTOR-F/SUCTION(4QL)-TRG823		1	*	1		

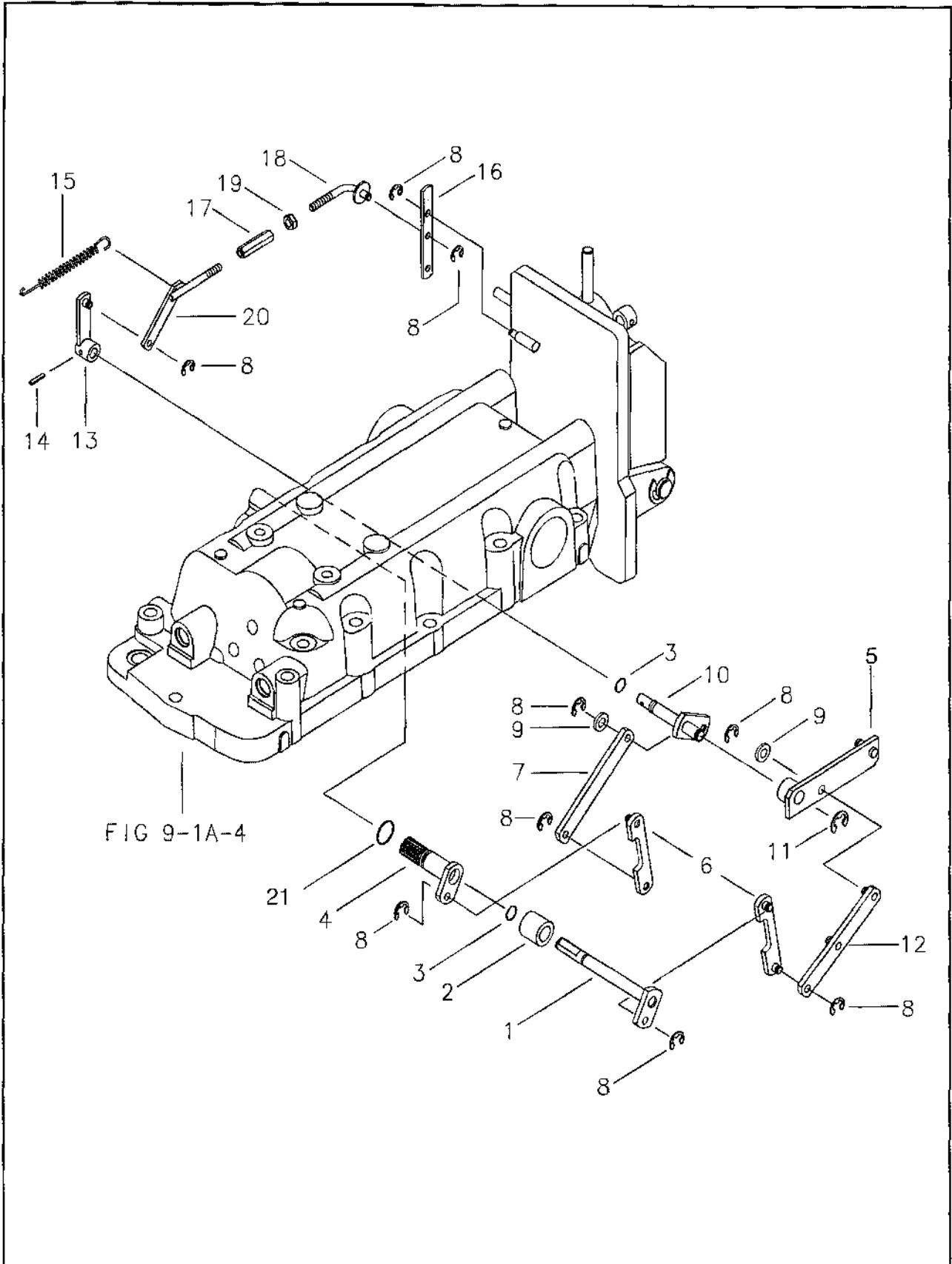
06-12-01

02

# HYDRAULIC LINKAGE

FIG. 9-6B

G. 824



# HYDRAULIC LINKAGE

A-C3030, B-C3035, C-C3040

**FIG. 9-6B**

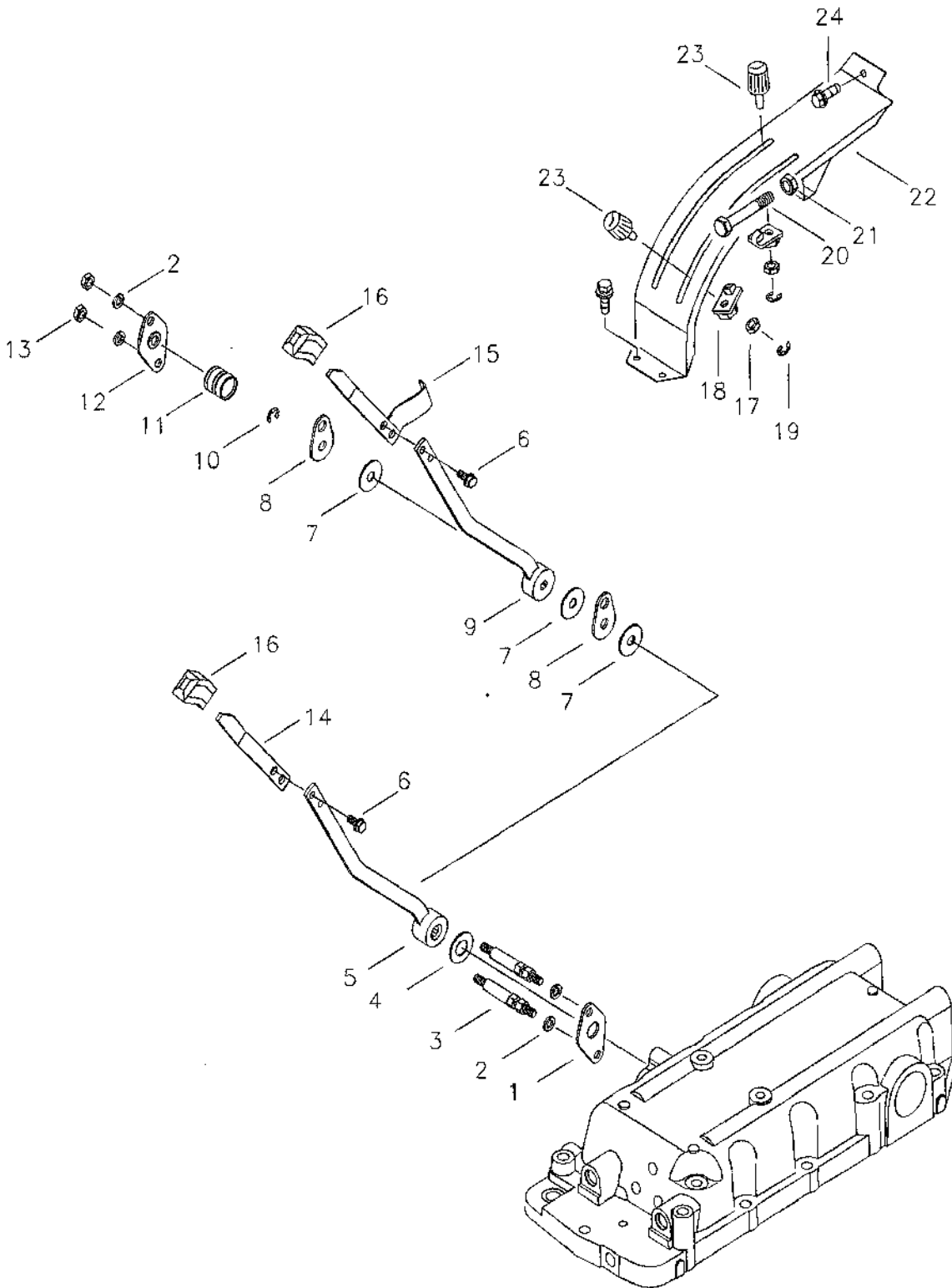
**( DRAFT CONTROL )**

NO.	PART NO.	PART NAME & DESCRIPTION	QTY			APP.NO	REM.
			A	B	C		
1~12	40008074	SHAFT-POSITION-TRG824					
1	*	SHAFT-POSITION-TRG824					
2	*	SPACER-TRG824					
3	40029193	O-RING-S801009010					
4	*	SHAFT-DRAFT CTRL-TRG824					
			D20×D12×23.5				
			D8.8×19				
5	*	LINK-TRG824					
6	*	LINK-B-TRG824					
7	*	LINK-DRAFT-TRG824					
8	40029314	RING-SNAP-S814006003					
9	40028169	WASHER-PLN-S364080013					
			D6				
			D17×D8.4×1.6t				
10	*	SHAFT-DRAFT-TRG824					
11	40029318	RING-SNAP-S814009003					
12	*	LINK-POSITION-TRG824					
13	40012558	ARM-DRAFT LINK-TRG824					
14	40029157	PIN-SPRING-S446042012					
			D4×20				
15	40011935	SPRING-TRG824					
16~20	40008155	DRAFT LINK ASSY					
16	*	LINK-PACK-TRG824					
17	*	JOINT-TRG824					
18	*	ROD-A-TRG824					
19	40029041	NUT-HEX SMALL-S313080043					
20	*	ROD-B-TRG824					
21	40029204	O-RING-S801016010					
			D15.8×2.4				

# HYDRAULIC CONTROL LEVER

FIG. 9-7B

G. 825



# HYDRAULIC CONTROL LEVER

A-C3030, B-C3035, C-C3040

**FIG. 9-7B**

**( DRAFT CONTROL )**

NO.	PART NO.	PART NAME & DESCRIPTION	QTY			APP.NO	REM.
			A	B	C		
1	40011954	COVER-TRG825					
2	40029549	WASHER-SPR-S361100013	D10.2x2.5t	4	4	4	
3	40009495	SUPPORT-LEVER-TRG825		2	2	2	
4	40006943	FRICTION PLATE-L-TRG825	D21x2t	1	1	1	
5	40011480	LEVER-DRAFT CTRL-TRG825		1	1	1	
6	40028971	BOLT-HEX W/WS-S155082033	M8x1.25x20	4	4	4	
7	40006942	FRICTION PLATE-S-TRG825	D13x2t	3	3	3	
8	40012315	PLATE-LOCKING-TRG825		2	2	2	
9	40011648	LEVER-POSITION CTRL-TRG825		1	1	1	
10	40029259	RING-SNAP-S810012001	D11.1x1.0t	1	1	1	
11	40012375	SPRING-TRG825		1	1	1	
12	40012314	COVER-SPRING-TRG825		1	1	1	
13	40028747	NUT-HEX 1 TY-S302100043	M10x1.25	2	2	2	
14	40011478	EXTENTION-D/CTRL/LEVER-TRG825		1	1	1	
15	40011598	EXTENTION-POS/CTRL/LEVER-TRG825		1	1	1	
	40011479	EXTENTION-POS/CTRL/LEVER-TRG825		*	*	*	
16	40008375	KNOB-HYD. LIFT LEVER-TRG970		2	2	2	
17	40028768	NUT-HEX 2 TY-S305080043	M8x1.25	4	4	4	
18	40008368	STOPPER-HYD/LEVER-TRG825		4	4	4	
19	40029314	RING-SNAP-S814006003	D6x0.8t	4	4	4	
20	40029495	BOLT-HEX FT-S163085043	M8x1.25x50	2	2	2	
21	40029040	NUT-HEX SMALL-S313080013	M8x1.25	2	2	2	
22	40011050	GUIDE-HYD/LEVER-TRG825		1	1	1	
23	40008400	GRIP-HYD/LEVER-TRG825		4	4	4	
24	40029004	BOLT-HEX W/WS-S159081633	M8x1.25x16	3	3	3	

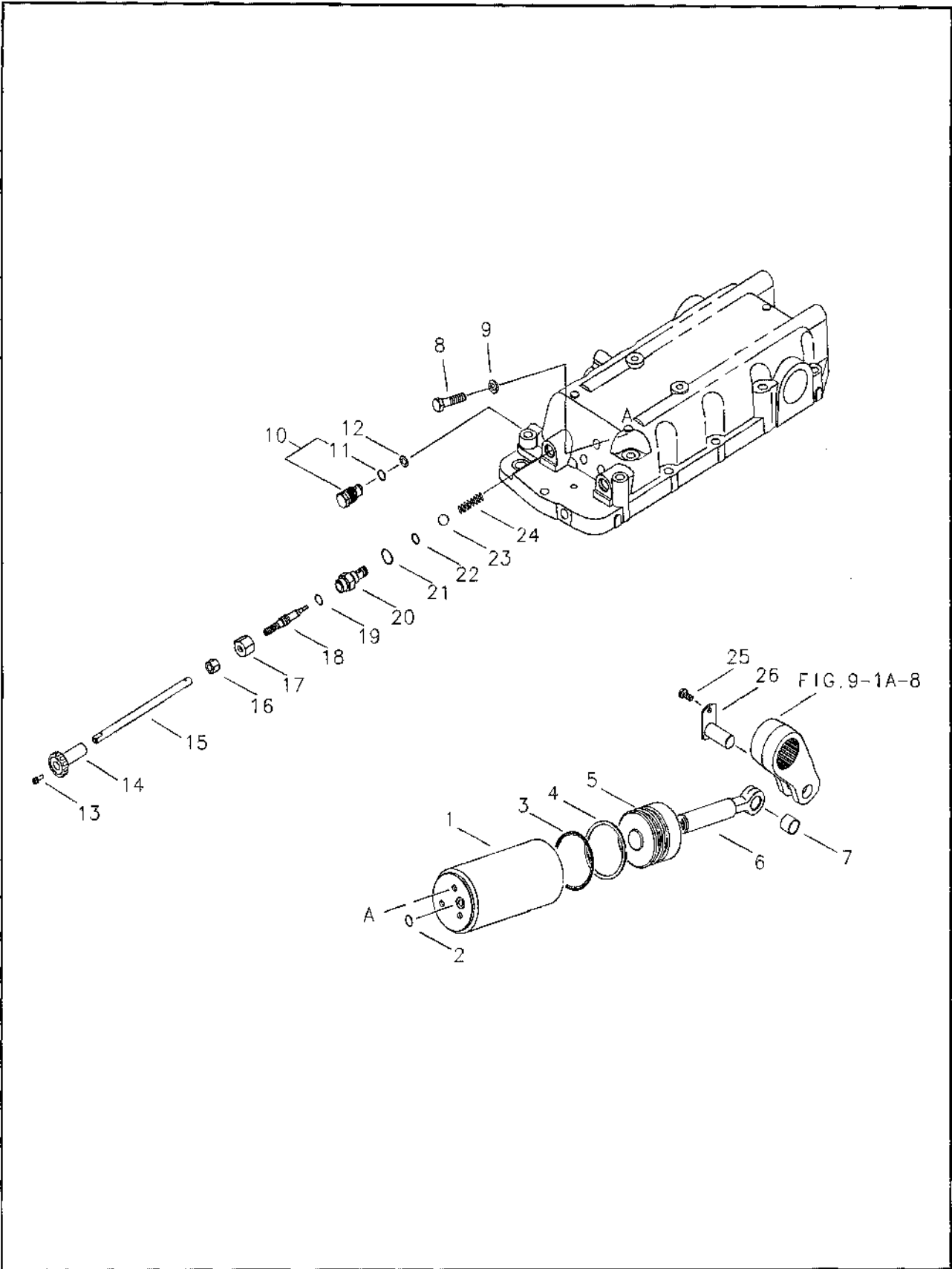
04-07-01

00

# HYDRAULIC CYLINDER

FIG. 9-8

G. 826



# HYDRAULIC CYLINDER

A-C3030, B-C3035, C-C3040

FIG. 9-8

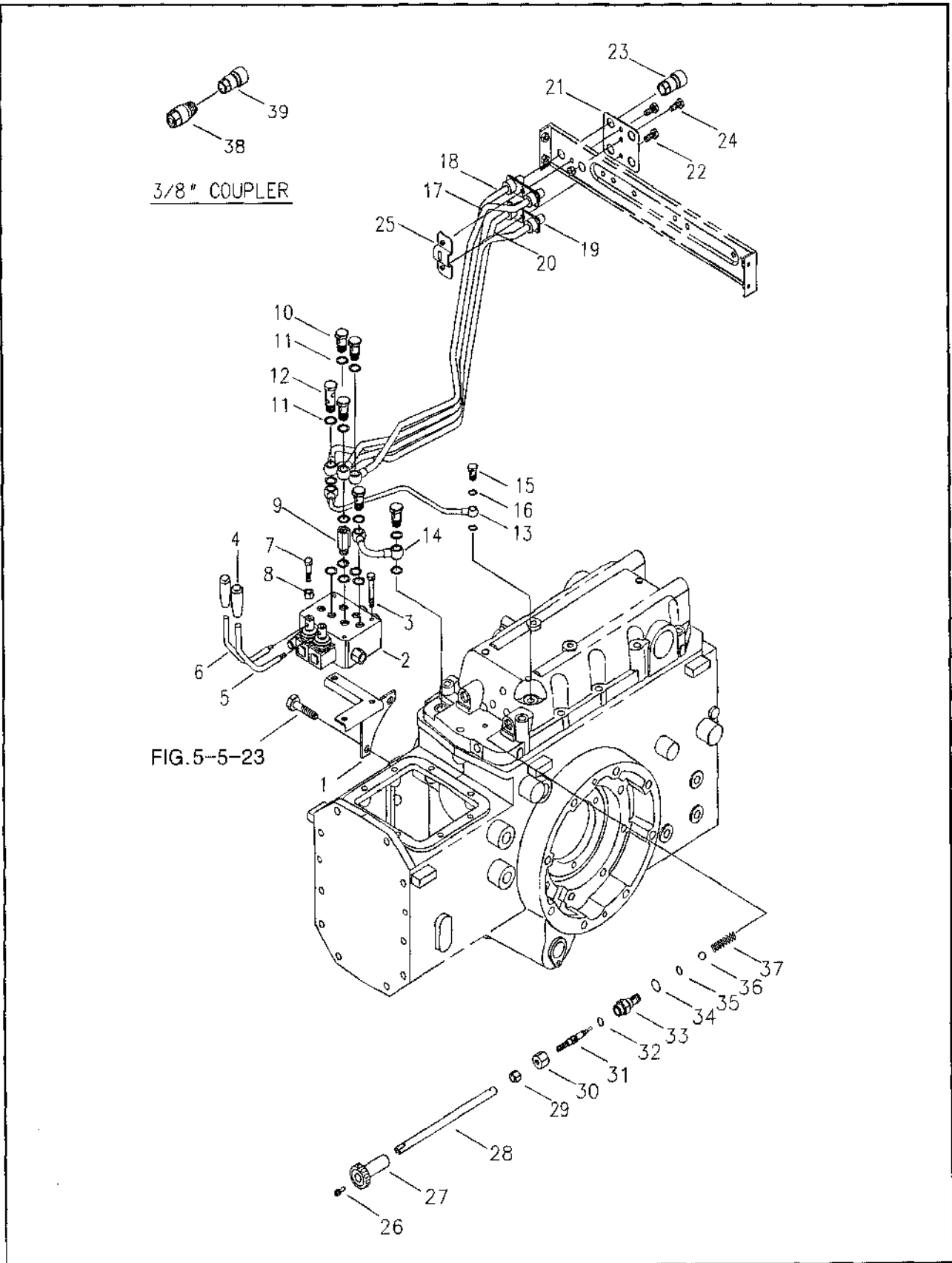
NO.	PART NO.	PART NAME & DESCRIPTION		QTY			APP. NO	REM.
				A	B	C		
1	40011680	CYLINDER-HYDRAULIC-TRG826	Φ80	1	1	1		
2	40029202	O-RING-S801014020	Φ13.8×2.4	1	1	1		
3	40007433	O-RING-HYD/PISTON-TRG826	Φ69.6×5.7	2	2	2		
4	40012134	RING-BACK UP-TRG826	Φ80×Φ70×3t	2	2	2		
5	40010320	PISTON-HYD-TRG826	Φ80	1	1	1		
6	40009663	ROD-HYD/PISTON-TRG826		1	1	1		
7	40010006	BUSHING-TRG970	Φ22×Φ25×20	1	1	1		
8	40029469	BOLT-HEX-S103125043	M12×1.25×50	3	3	3		
9	40029551	WASHER-SPR-S361120013	Φ12.2×3t	3	3	3		
10	40008161	VALVE ASSY-SAFETY-TRG826		1	1	1		
11	40029206	O-RING-S801018010	D17.8×2.4	1	1	1		
12	40012093	SEAL-PLUG-TRG826	Φ10.5×Φ18×1t	1	1	1		
13	40028992	BOLT-HEX WWS-S157051633	M5X0.8X16L	1	1	1		
14	40008380	KNOB-F/R CONTROL ROD-TRG970		1	1	1		
15	40009975	ROD-CONTROL-TRG826		1	1	1		
16	40029075	NUT-FLANGE-S345080013	M8×1.25	1	1	1		
17-22	40008146	VALVE ASSY-F/REGULATOR-G826		1	1	1		
17	*	NUT-TRG826	M18×1.25	1	1	1		
18	*	SCREW-D/SPEED ADJUST-TRG826		1	1	1		
19	*	O-RING-S801006020	Φ5.8×1.9	1	1	1		
20	*	BODY-REGULATOR VALVE-TRG826		1	1	1		
21	40029202	O-RING-S801014020	D13.8×2.4	1	1	1		
22	40029195	O-RING-S801010020	D9.8×1.9	1	1	1		
23	40010340	BALL-STEEL-CVG000	3/8"	1	1	1		
24	40012356	SPRING-LOCKING VALVE-TRG826	Φ8.6×1.4	1	1	1		
25	40028919	BOLT-HEX WWS-S153081633	M8×1.25×16	1	1	1		
26	40012024	PIN-HYD-TRG826	Φ22	1	1	1		



# REMOTE CONTROL VALVE & LINE

FIG. 9-9C

G. 827



# REMOTE CONTROL VALVE & LINE

A-C3030, B-C3035, C-C3040

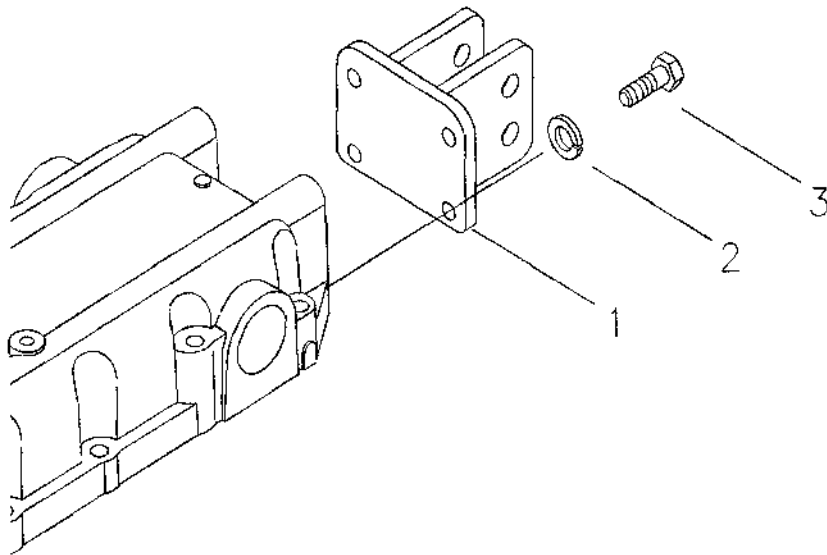
**FIG. 9-9C**

NO.	PART NO.	PART NAME & DESCRIPTION	QTY			APP.NO	REM.
			A	B	C		
1	40011693	BRACKET-REMOCON V/V-TRG827	1	1	1		
2	40007588	VALVE-REMOCON-TRG827	1	1	1		W/ RELIEF
3	40028930	BOLT-HEX WWS-S153086033	3	3	3		
4	40008403	GRIP-AUX LEVER-TRG970	2	2	2		
5	40011765	LEVER-REMOCON V/V(2)-TRG827	1	1	1		
6	40011764	LEVER-REMOCON V/V(1)-TRG827	1	1	1		
7	40029362	BOLT-HEX-S101102543	2	2	2		
8	40028769	NUT-HEX 2 TY-S305100013	2	2	2		
9	40010251	CONNECTOR-UNION-TRG827	1	1	1		
10	40010321	BOLT-UNION-TRG630	4	4	4		
11	40012415	SEAL-BONDED-TRG823	15	15	15		
12	40009819	BOLT-UNION-TRG827	2	2	2		
13	40011770	PIPE-REMOCON S/D-TRG827	1	1	1		
14	40012411	PIPE-REMOCON DRAIN-TRG827	1	1	1		
15	40009919	BOLT-UNION-TRG823	1	1	1		
16	40012552	SEAL-COPPER-TRG823	2	2	2		
17	40011091	PIPE-REMOCON(1/U)-TRG827	1	1	1		
18	40011093	PIPE-REMOCON(2/U)-TRG827	1	1	1		
19	40011092	PIPE-REMOCON(1/D)-TRG827	1	1	1		
20	40011094	PIPE-REMOCON(2/D)-TRG827	1	1	1		
21	40012504	BRACKET-REMOCON PIPE-TRG827	1	1	1		
22	40029006	BOLT-HEX WWS-S159082033	2	2	2		
23	40007922	COUPLER-QUICK-TRG827	4	4	4		
24	40029004	BOLT-HEX WWS-S159081633	1	1	1		
25	40012211	BRACKET-AUX/PIPE CLAMP-TRG827	1	1	1		
26	40028992	BOLT-HEX WWS-S157051633	1	1	1		
27	40006380	KNOB-F/R CONTROL ROD-TRG970	1	1	1		
28	40009975	ROD-CONTROL-TRG826	1	1	1		
29	40029075	NUT-FLANGE-S345080013	1	1	1		
30-35	40008146	VALVE ASSY-F/REGULATOR-G826	1	1	1		
30	*	NUT-TRG826	1	1	1		
31	*	SCREW-D/SPEED ADJUST-TRG826	1	1	1		
32	*	O-RING-S801006020	1	1	1		
33	*	BODY-REGULATOR VALVE-TRG826	1	1	1		
34	40029202	O-RING-S801014020	1	1	1		
35	40029195	O-RING-S801010020	1	1	1		
36	40010340	BALL-STEEL-CVG000	1	1	1		
37	40012356	SPRING-LOCKING VALVE-TRG826	1	1	1		
38	40009174	ADAPTOR-TRG827	4	4	4		
39	40007883	COUPLER-QUICK-TRG827	4	4	4		

# UPPER LINK BRACKET

FIG. 9-10A

G. 828



04-07-01

00

# UPPER LINK BRACKET

A-C3030, B-C3035, C-C3040

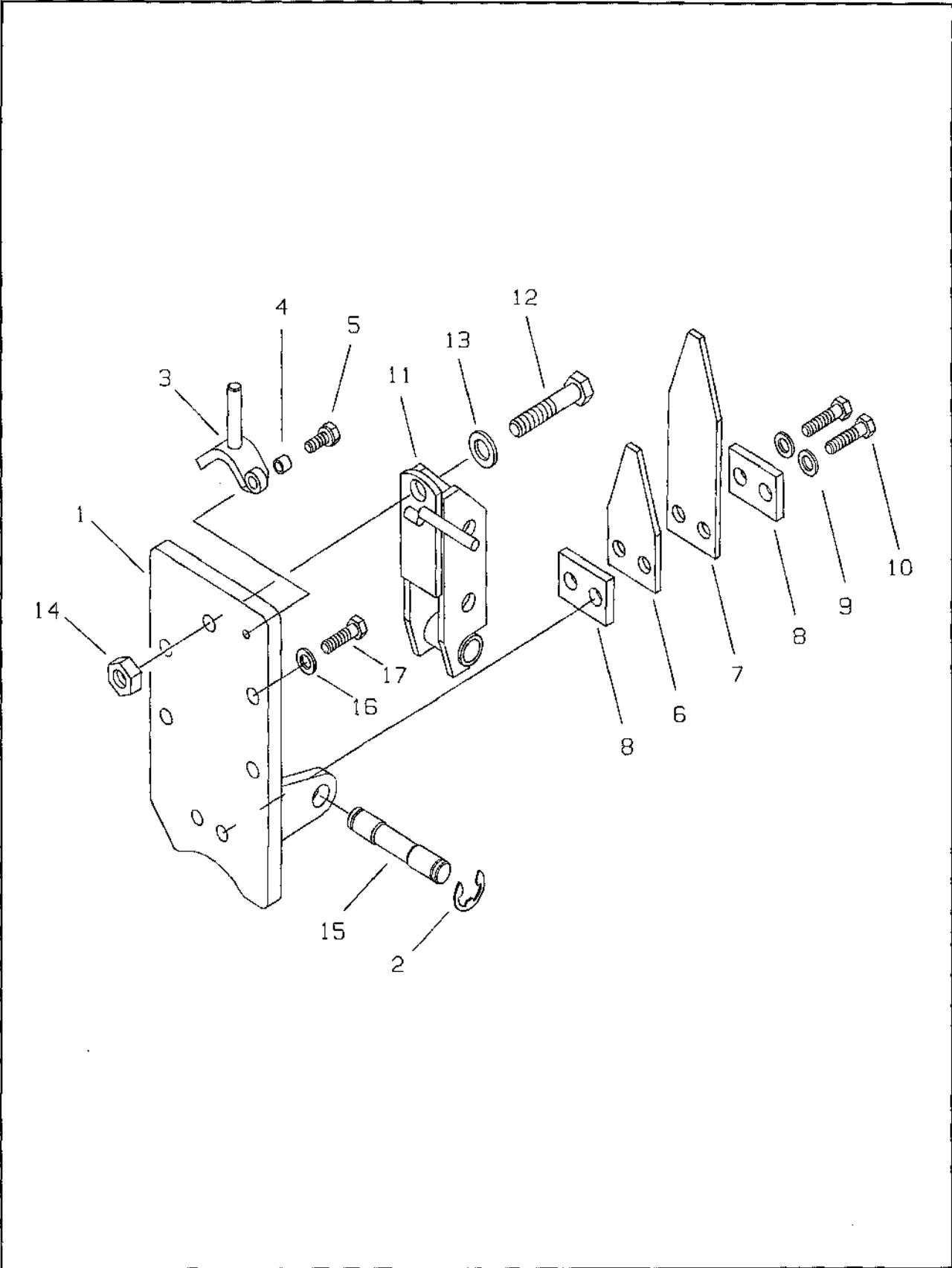
**FIG. 9-10A**

NO.	PART NO.	PART NAME & DESCRIPTION	QTY			APP.NO	REM.
			A	B	C		
1	40011786	BRACKET-TOP LINK-TRG828	1	1	1		
2	40029553	WASHER-SPR-S361140013	4	4	4		
3	40029385	BOLT-HEX-S101143543	4	4	4		

# UPPER LINK BRACKET

FIG. 9-10B

G. 828



# UPPER LINK BRACKET

A-C3030, B-C3035, C-C3040

**FIG. 9-10B**

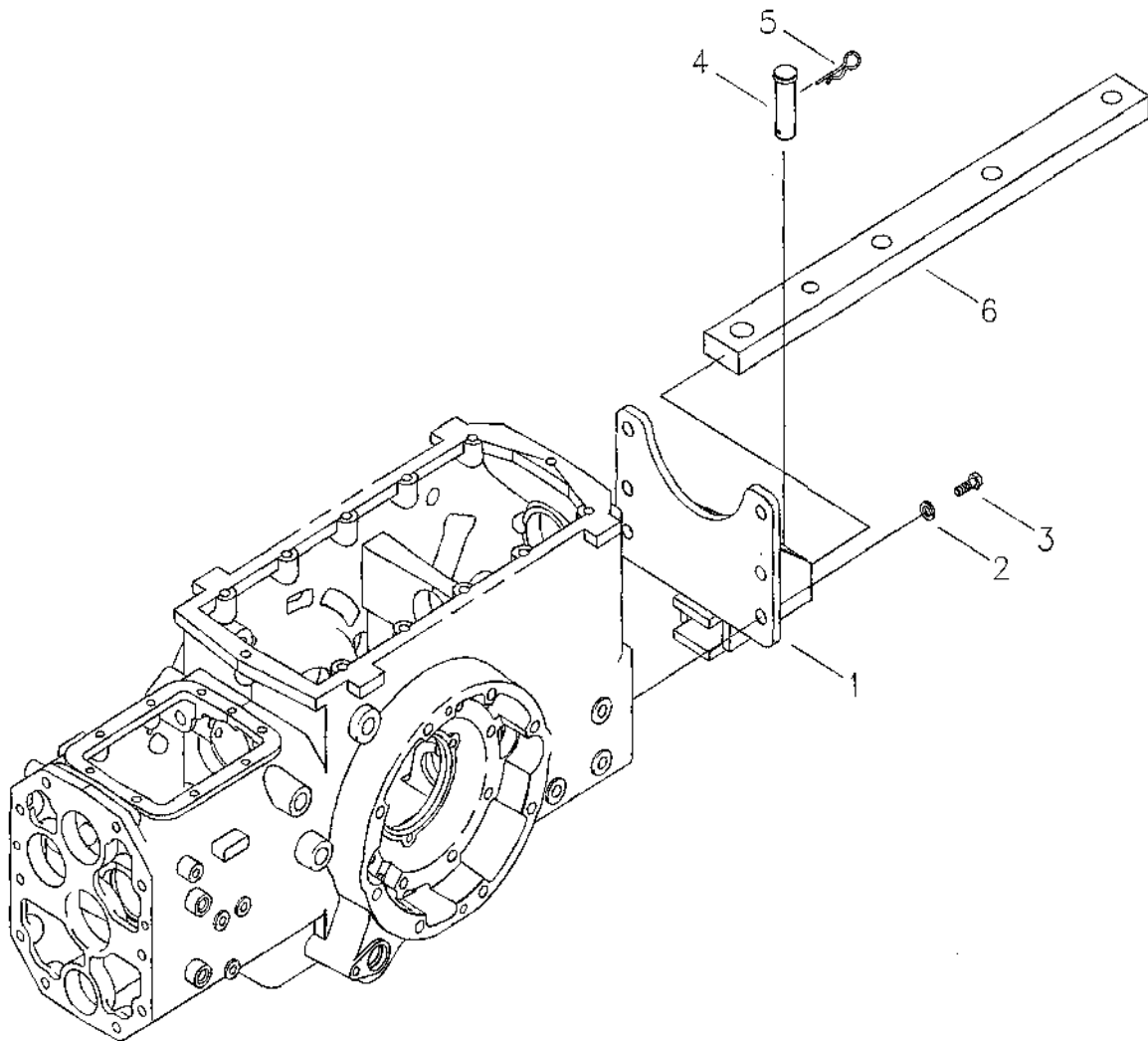
**( DRAFT CONTROL )**

NO.	PART NO.	PART NAME & DESCRIPTION	QTY			APP. NO	REM.
			A	B	C		
1-15	40008018	BRACKET ASSY-UPPER LINK-G828	1	1	1		
1	40011393	BRACKET-TRG828	1	1	1		
2	40029322	RING-SNAP-S814015003	2	2	2		
3	40012543	STOPPER-TRG828	1	1	1		
4	40012072	COLLAR-RATCHET-TRG828	1	1	1		
5	40028973	BOLT-HEX WWS-S155082533	M8×1.0×25	1	1	1	
6	40012518	SPRING-LEAF-TRG828		1	1	1	
7	40012338	SPRING-LEAF-TRG828		1	1	1	
8	40011927	PLATE-TRG828		2	2	2	
9	40029553	WASHER-SPR-S361140013		2	2	2	
10	40028896	BOLT-HEX-S107144543	M14×1.5×45	2	2	2	
11	40011576	BRACKET-TOP LINK-TRG828		1	1	1	
12	40029482	BOLT-HEX-S103167043	M16×1.5×70	1	1	1	
13	40028179	WASHER-PLN-S364160053	D16	1	1	1	
14	40029052	NUT-HEX SMALL-S314160013	M16×1.5	1	1	1	
15	40009998	PIN-TRG828	D20	1	1	1	
16	40029553	WASHER-SPR-S361140013		4	4	4	
17	40029395	BOLT-HEX-S101143543	M14×2.0×35	4	4	4	

# DRAWBAR HITCH

FIG. 9-11B

G. 891



06-04-01

01

# DRAWBAR HITCH

A-C3030, B-C3035, C-C3040

**FIG. 9-11B**

**( TELESCOPIC DRAWBAR )**

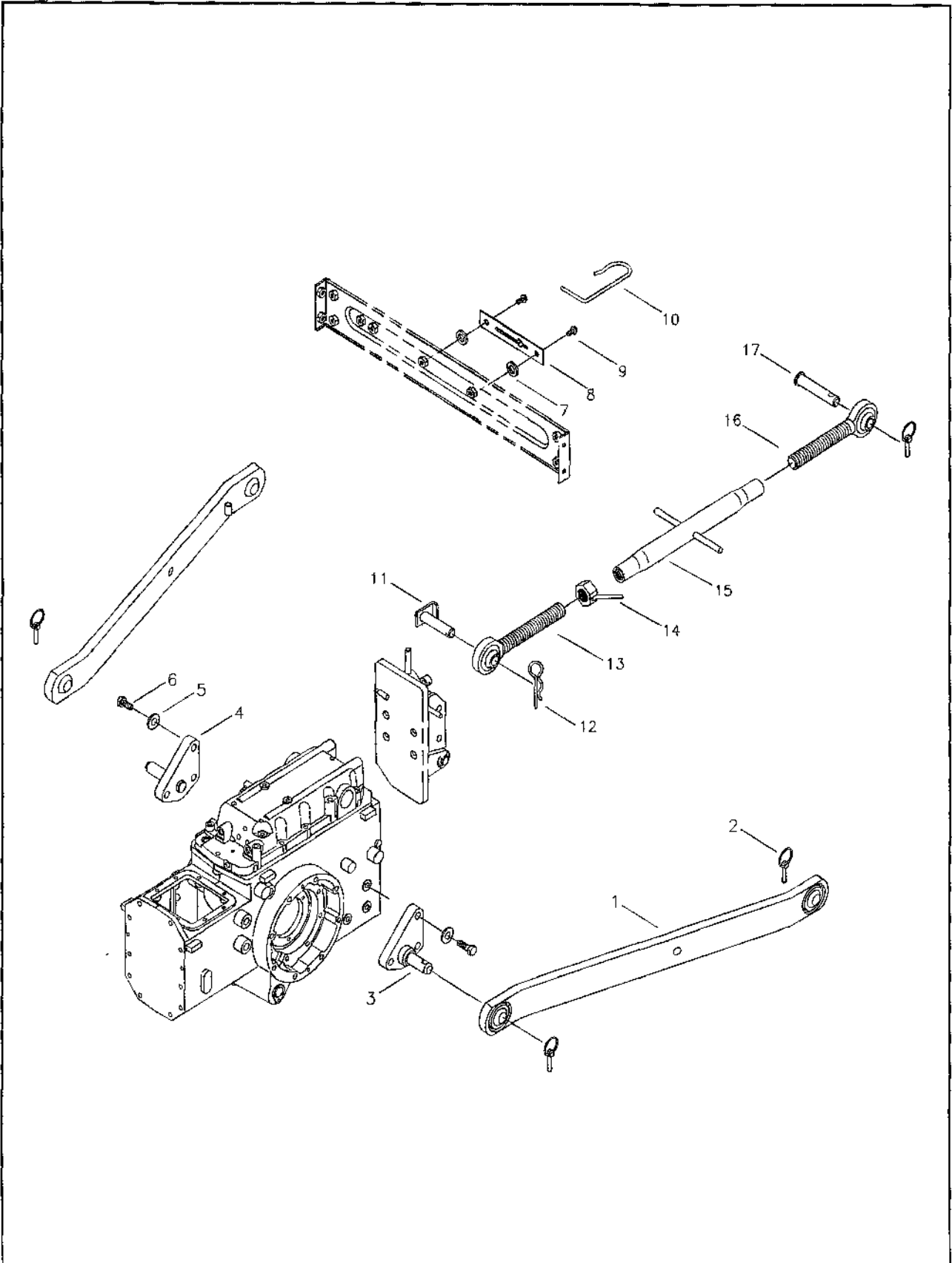
NO.	PART NO.	PART NAME & DESCRIPTION	QTY			APP. NO	REM.
			A	B	C		
1	40011054	SUPPORT-HITCH-TRG891	1	1	1		
2	40029553	WASHER-SPR-S381140013	6	6	6		
3	40029397	BOLT-HEX-S101144043	6	6	6		
4	40009478	PIN-DRAWBAR R/PIVOT-TRG891	1	1	1		
5	40011979	PIN-SNAP-TRG896	1	1	1		
6	40008966	DRAWBAR-HITCH-TRG891	1	1	1		



# UPPER & LOWER LINK

FIG. 9-12

G. 896



# UPPER & LOWER LINK

A-C3030, B-C3035, C-C3040

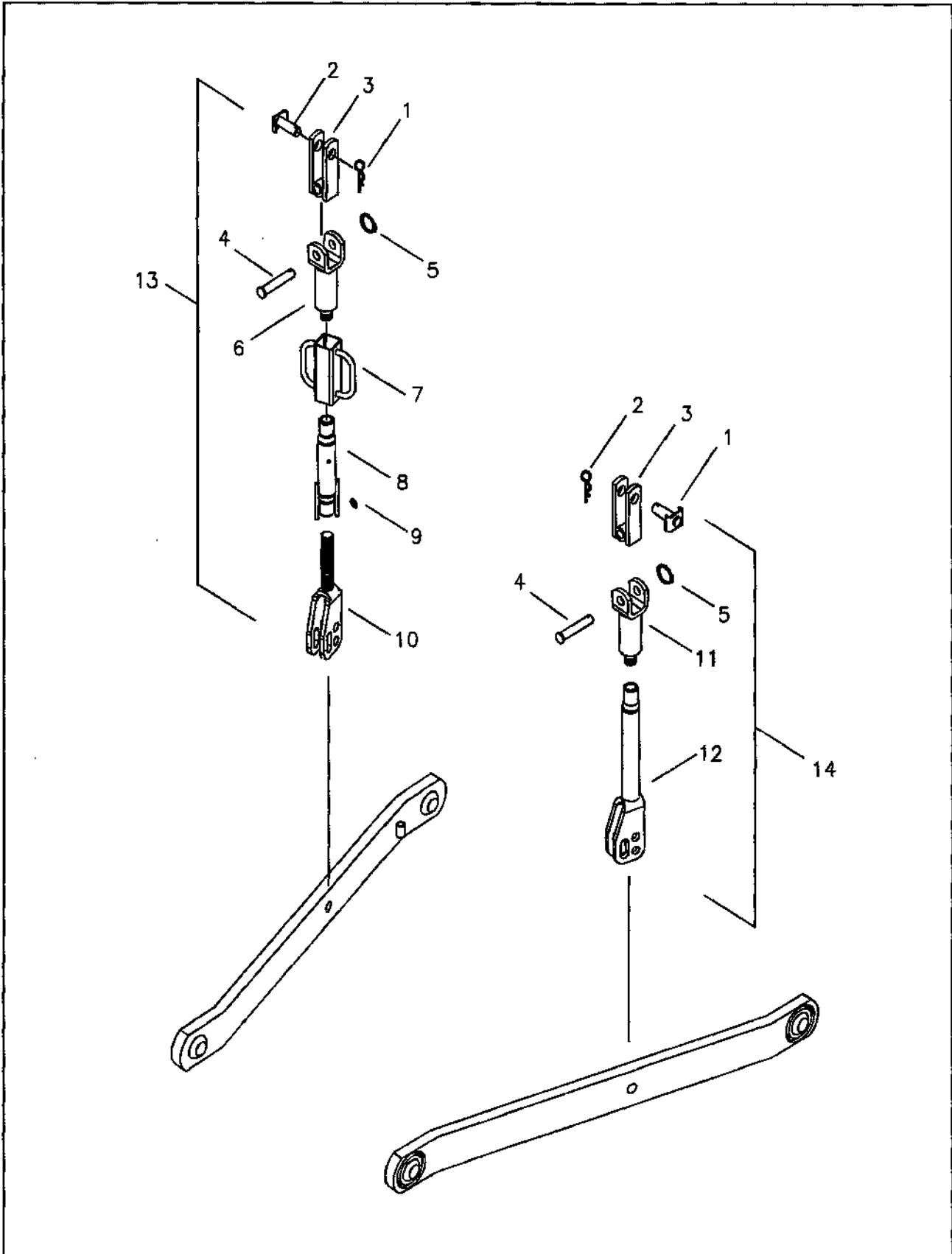
**FIG. 9-12**

NO.	PART NO.	PART NAME & DESCRIPTION	QTY			APP.NO	REM.
			A	B	C		
1	40008100	LINK ASSY-LOWER-G896	2	*	2		
	40008019	LINK ASSY-LOWER-G896	*	2	*		
2	40012410	PIN-LINK-TRG896	5	5	5		
3	40010327	PIN-LOWER LINK-TRG896	D22	1	1	1	
4	40012631	PIN-LOWER LINK-TRG896	D22	1	1	1	
5	40029553	WASHER-SPR-S361140013	D24.5xD14.2x3.5	6	6	6	
6	40009534	BOLT-HEX-TRG896	M14x2x40	6	6	6	
7	40012255	SPACER-GRILLE-TRG830		2	2	2	
8	40011811	BRACKET-HOOK-TRG896		1	1	1	
9	40029004	BOLT-HEX W/WS-S159081633	M8x1.25x16	2	2	2	
10	40012373	HOOK-TOP LINK-TRG896		1	1	1	
11	40012529	PIN-TOP LINK FRONT-TRG896	D19	1	1	1	
12	40011979	PIN-SNAP-TRG896	D19	1	1	1	
13~16	40008166	LINK ASSY-UPPER-G896	470-750	1	1	1	
13	40010318	BOLT-EYE(LH)-TRG896	M24x3	1	1	1	
14	40012541	NUT-TRG970	M24x3	1	1	1	
15	40011742	TURN BUCKLE-HYD/LINK-TRG896	M24x3	1	1	1	
16	40010319	BOLT-EYE(RH)-TRG896	M24x3(CAT1)	1	1	1	
17	40010207	PIN-UPPER LINK-TRG896	D19	1	1	1	

# LIFT ROD

FIG. 9-13B

G. 896

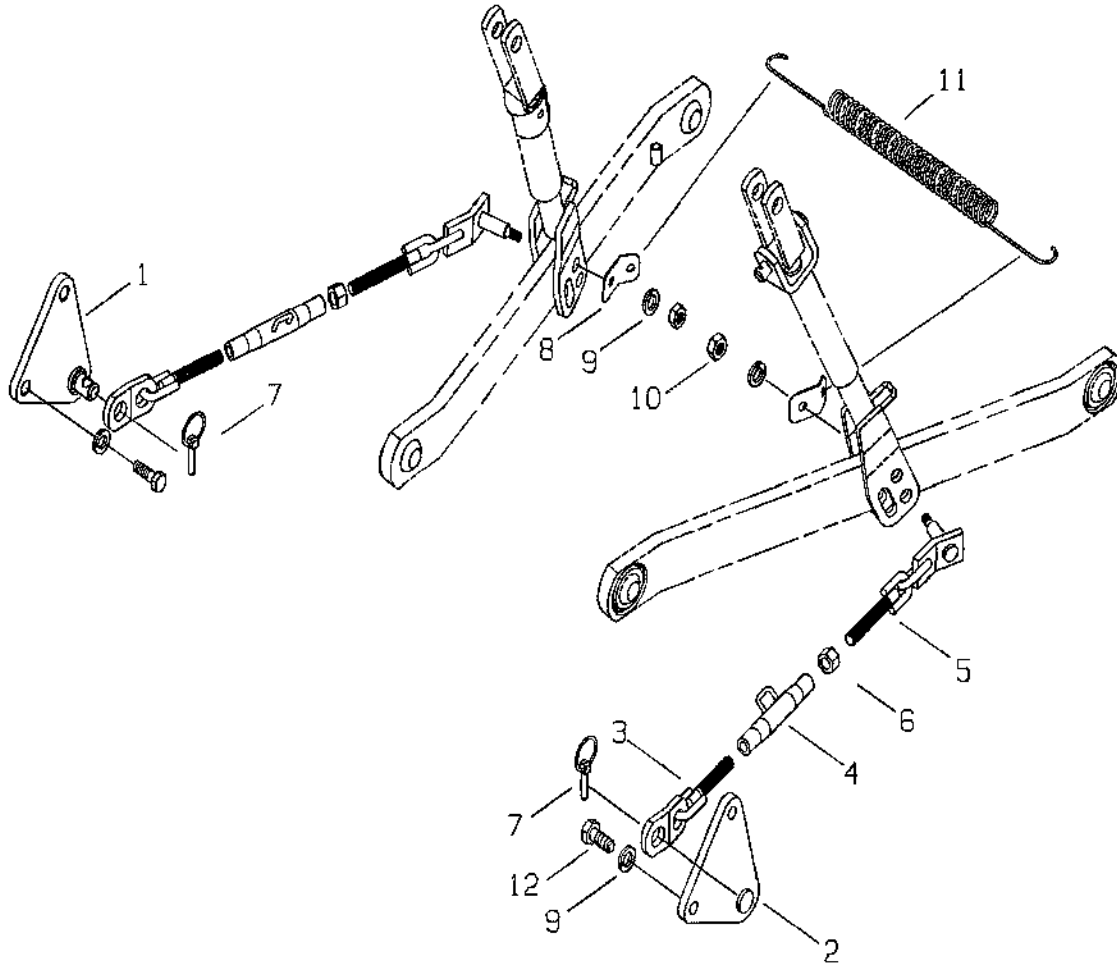




# CHECK LINK

FIG. 9-14

G. 896



# CHECK LINK

A-C3030, B-C3035, C-C3040

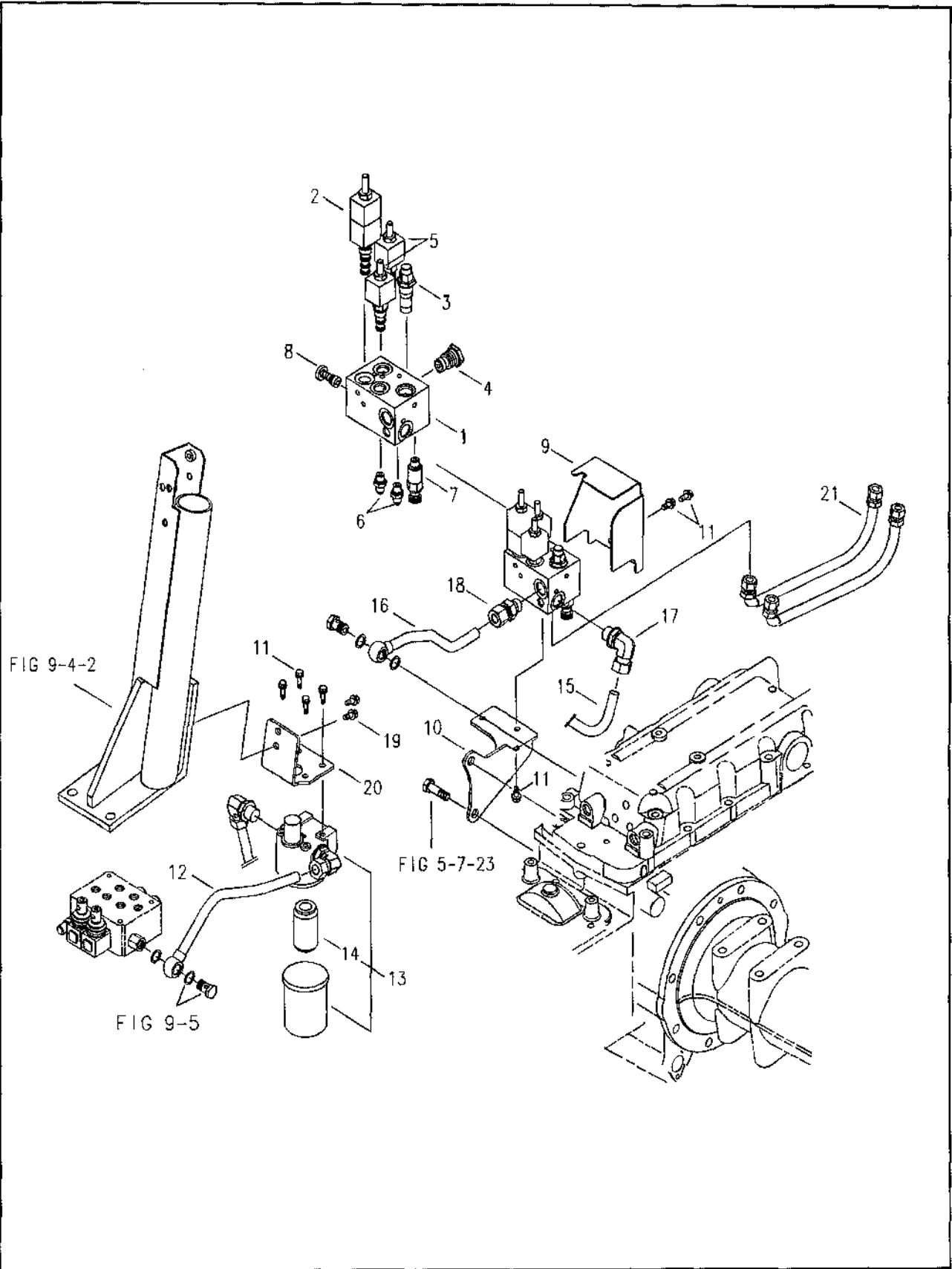
**FIG. 9-14**

NO.	PART NO.	PART NAME & DESCRIPTION	QTY			APP.NO	REM.
			A	B	C		
1	40011694	BRACKET-CHECK CHAIN-TRG896	1	1	1	05년 7월	
2	40011695	BRACKET-CHECK CHAIN-TRG896	1	1	1		
3-6	40008020	LINK ASSY-CHECK CHAIN-G822	2	2	2		
3	40011424	CHAIN-FRONT-TRG896	2	2	2		
4	40011425	BUCKLE-TURN-TRG896	2	2	2		
5	40011596	CHAIN-REAR-TRG896	2	2	2		
6	40028728	NUT-HEX 1 TY-S301160013	M16×2.0(LH)	2	2	2	
7	40012410	PIN-LINK-TRG896		2	2	2	
8	40012505	BRACKET-SPRING-TRG896		2	2	2	
9	40029553	WASHER-SPR-S361140013	Φ24.5×Φ14.2×3.5t	6	6	6	
10	40029051	NUT-HEX SMALL-S314140013	M14×1.25	2	2	2	
11	40011513	SPRING-LOWER LINK-TRG896		1	1	1	
12	40029395	BOLT-HEX-S101143543	M14×2.0x35	4	4	4	

# HYDRAULIC LINE & VALVE

FIG. 9-15

G. 829



# HYDRAULIC LINE & VAVLE

A-C3030, B-C3035, C-C3040

FIG. 9-15

(AUTO/L)

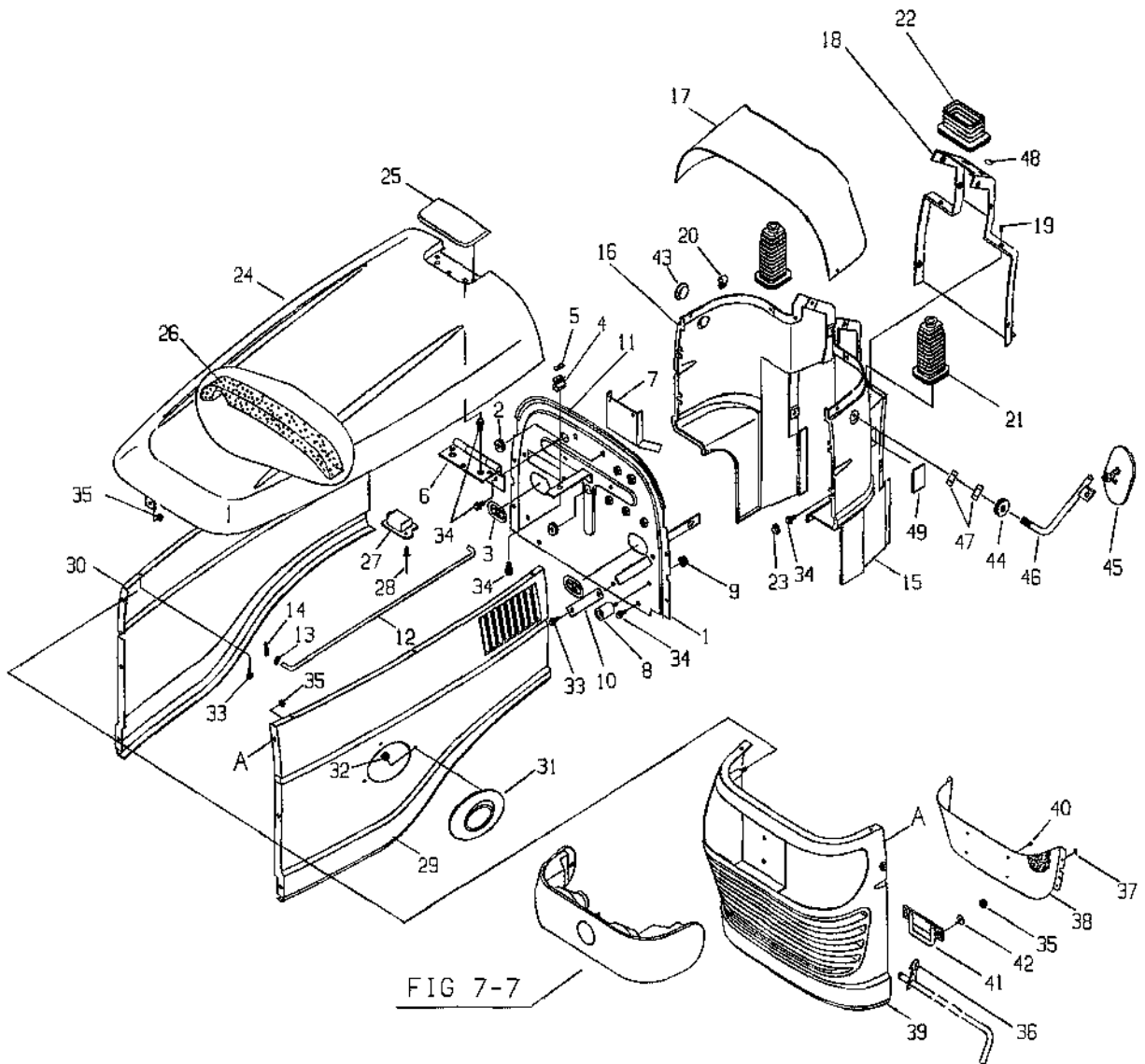
NO.	PART NO.	PART NAME & DESCRIPTION	QTY			APP.NO	REM.
			A	B	C		
1-8	40150893	VALVE ASSY-LEVELING-TRG829	1	1	1		
1	40156927	BODY-LEVELING VALE-TRG829	1	1	1		
2	40036320	VALVE-MAIN SOL-TRG829	1	1	1		
3	40036322	VALVE-LOGIC-TRG829	1	1	1		
4	40036323	VALVE-CHECK-TRG829	1	1	1		
5	40036321	VALVE-SOL/POPPET-TRG829	2	2	2		
6	40036343	UNION-TRG896	2	2	2		
7	40156860	VALVE-STOP-TRG829	1	1	1		
8	40156850	VALVE-CHECK-A1829046	1	1	1		
9	40067305	COVER-LEVELING V/V-TRG829	1	1	1		
10	40067309	BRACKET-VALVE-TRG829	1	1	1		
11	40028971	BOLT-HEX WWS-S155082033	8	8	8		
12,17	40151580	PIPE-A1CMS903	1	1	1		
12	40156964	PIPE-FILTER INLET-TRG823	1	1	1		
13	40154351	OIL FILTER ASSY-IN-LINE-G823	1	1	1		
14	40156841	ELEMENT-A1823358	1	1	1		
15,17	40151583	PIPE-A1CMS904	1	1	1		
15	40154741	PIPE-LEVELING INLET-TRG823	1	1	1		
16,18	40151585	PIPE-A1CMS905	1	1	1		
16	40154742	PIPE-LEVELING DRAIN-TRG823	1	1	1		
17	40010275	JOINT-ELBOW-TRG823	3	3	3		
18	40009907	JOINT-TRG823	1	1	1		
19	40028947	BOLT-HEX WWS-S154102033	2	2	2		
20	40067310	BRACKET-IN-LINE FILTER-TRG829	1	1	1		
21	40036319	HOSE-TRG829	2	2	2		



# HOOD

FIG. 10-1F

G. 830



# HOOD

A-C3030, B-C3035, C-C3040

FIG. 10-1F

NO.	PART NO.	PART NAME & DESCRIPTION	QTY			APP. NO	REM.
			A	B	C		
1	40010929	PLATE-HEAT ISOLATION-TRG830	1	*	1		
2	40012882	GROMMET-A0720034	2	*	2		
3	40007428	GROMMET-LOW EDGE-TRG970	2	*	2		
4	40012731	SPRING-A0690218	1	*	1		
5	40012213	BRACKET-SPRING-RPG000	1	*	1		
6	40012635	HINGE-TRG830	1	*	1		
7	40011755	BRACKET-HINGE-TRG830	1	*	1		
8	40007451	STOPPER-RUBBER-TRG830	2	*	2		
9	40029075	NUT-FLANGE-S345080013	2	*	2		M8x1.25
10	40012258	COVER-TRG830	1	*	1		
11	40007542	WEATHER STRIP-BY/PASS-TRG970	1	*	1		
12	40012256	ROD-UPPER COVER-TRG830	1	*	1		
13	40028157	WASHER-PLN-S363080013	1	*	1		D15.5/8.4x1.6T
14	40029131	PIN-SNAP-S443080013	1	*	1		D8x27.7
15	40008221	PANEL-BODY(LH)-TRG830	1	*	1		
16	40008222	PANEL-BODY(RH)-TRG830	1	*	1		
17	40008228	PANEL-BODY UPPER-TRG830	1	*	1		
18	40008220	PANEL-REAR BODY-TRG830	1	*	1		
19	40009549	SCREW-TAPPING-TRG830	12	*	12		
20	40012278	PLATE-LOCK-TRG970	12	*	12		
21	40007296	COVER-LEVER DUST-TRG830	2	*	2		
22	40007289	COVER-STEERING-TRG830	1	*	1		
23	40008371	CAP-BOLT-TRG830	4	*	4		
24	40213639	HOOD-SBG830	1	*	1		S-BLUE
25	40008308	COVER-HINGE-TRG830	1	*	1		
26	40006948	SEAL-RADIATOR-TRG830	1	*	1		
27	40008402	STOPPER-HOOD SUPPORT-TRG830	1	*	1		
28	40029187	RIVET-BLIND-S466321010	2	*	2		D3.2x10L
29	40223409	COVER-SIDE-LH-SBG830	1	*	1		S-BLUE
30	40223411	COVER-SIDE-RH-SBG830	1	*	1		S-BLUE
31	40011629	COVER-EXHAUST-TRG830	1	*	1		
32	40029072	NUT-FLANGE-S345050013	3	*	3		M5x0.8
33	40028998	BOLT-HEX W/WS-S159061633	8	*	8		M6x1.0x16L
34	40029006	BOLT-HEX W/WS-S159082033	11	*	11		M8x1.25x20L
35	40029073	NUT-FLANGE-S345060013	9	*	9		M6x1.0
36	40007457	BAND-RUBBER-TRG970	1	*	1		
37-45	40223410	GRILLE ASSY-G830	1	*	1		S-BLUE
37	40012729	NUT-SPEED-A0760137	6	*	6		
38	40010910	NET-GRILLE-TRG830	1	*	1		
39	40223407	GRILLE-SBG830	1	*	1		S-BLUE
40	40029022	SCREW-TP/CRS-S234401613	4	*	4		4X16L
41	40012254	HANGER-TRG830	1	*	1		
42	40029567	WASHER-PLN-S363060013	2	*	2		D11.5/6.4X1.6T
43	40007456	CAP-RUBBER-TRG970	1	*	1		

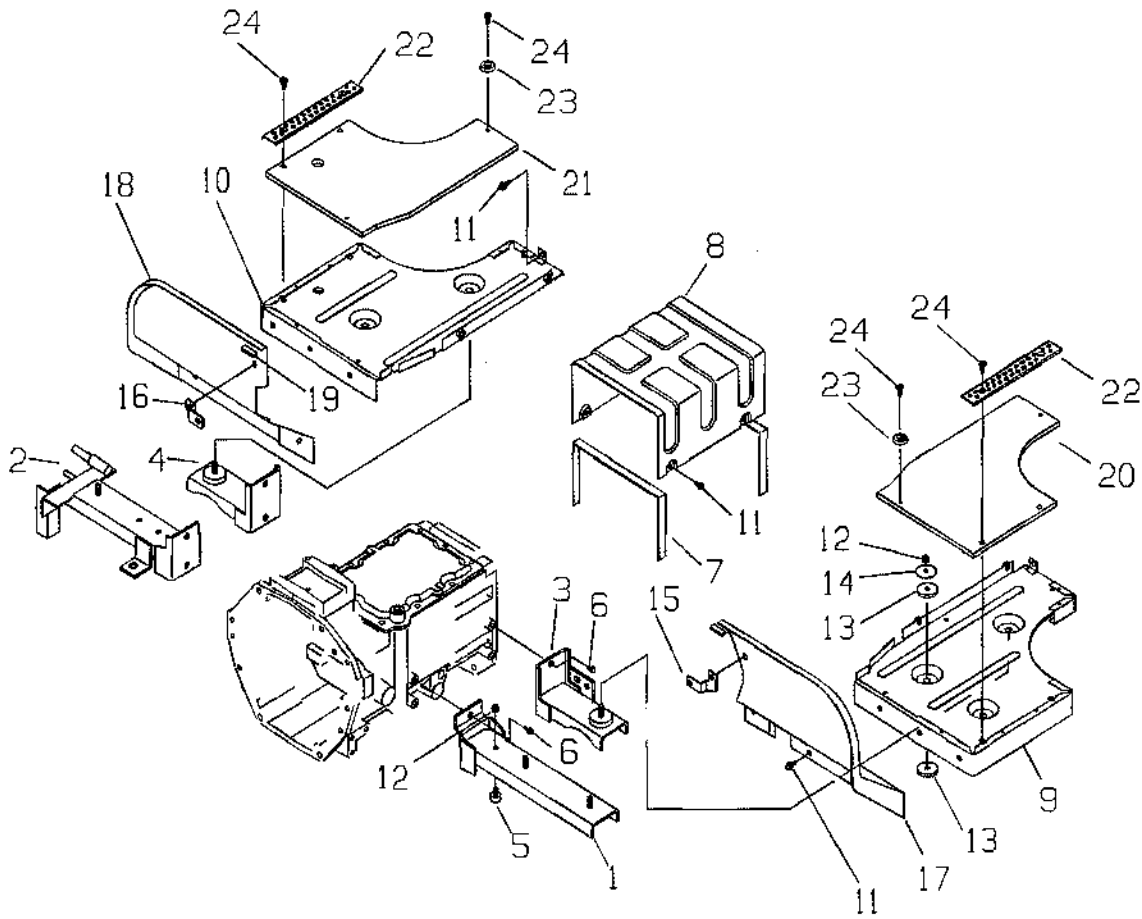
09-05-01

00

# STEP

FIG. 10-2E

G. 840



# STEP

A-C3030, B-C3035, C-C3040

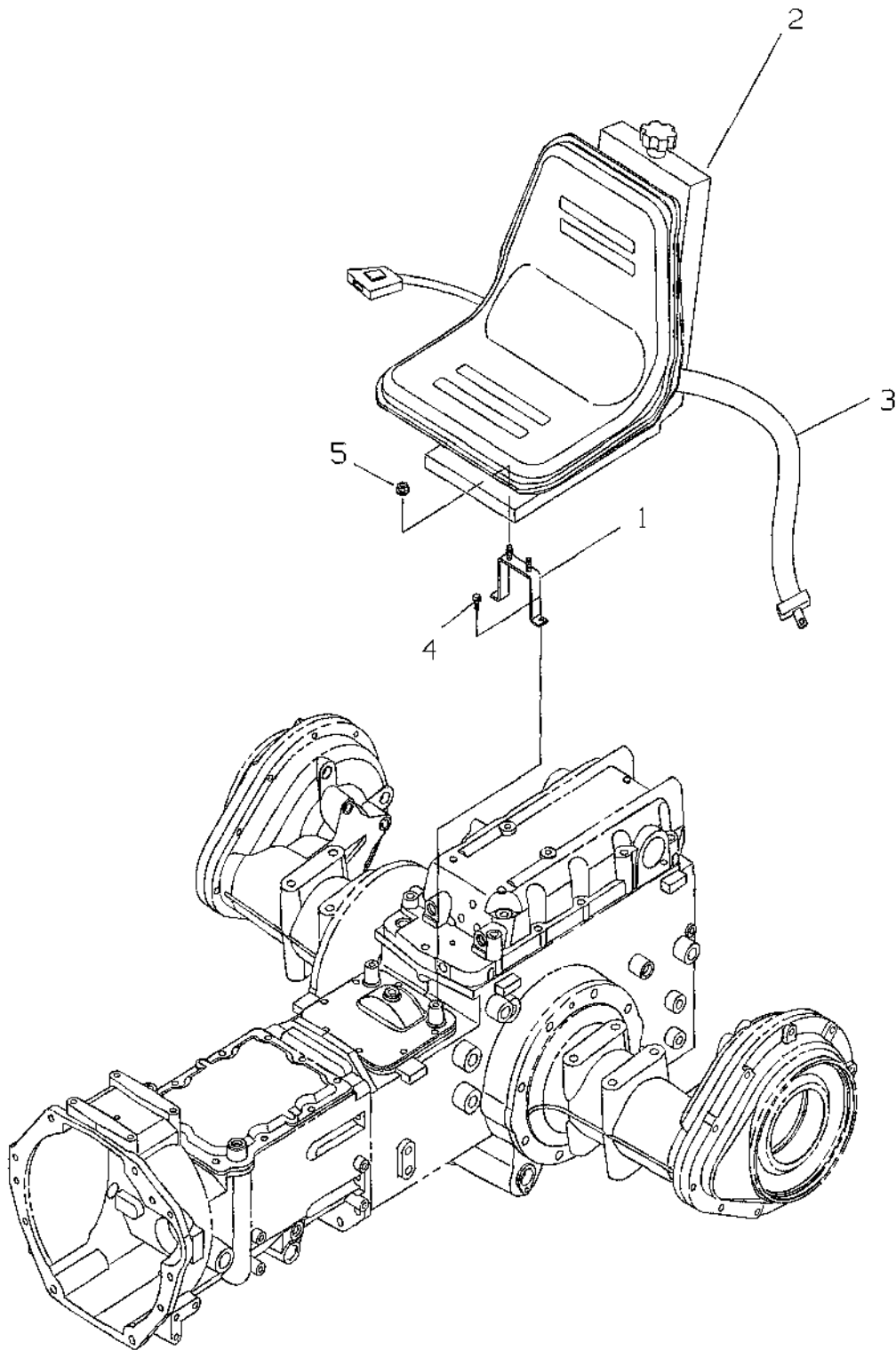
FIG. 10-2E

NO.	PART NO.	PART NAME & DESCRIPTION	QTY			APP.NO	REM.
			A	B	C		
1	40011225	BRACKET-STEP FRONT(LH)-TRG840	1	*	1		
2	40011265	BRACKET-STEP FRONT(RH)-TRG840	1	*	1		
3	40011757	BRACKET-STEP REAR(LH)-TRG840	1	*	1		
4	40011633	BRACKET-STEP REAR(RH)-TRG840	1	*	1		
5	40007478	RUBBER-RUBBER-CBG000	3	*	3		
6	40028947	BOLT-HEX W/WS-S154102033	M10x1.25x20L	8	*	8	
7	40006831	SPONGE-TRG840		2	*	2	
8	40223412	COVER-T/M CASESBG840	S-BLUE	1	*	1	
9	40223403	STEP-LHSBG840	S-BLUE	1	*	1	
10	40223401	STEP-RHSBG840	S-BLUE	1	*	1	
11	40029006	BOLT-HEX W/WS-S159082033	M8x1.25x20L	12	*	12	
12	40029075	NUT-FLANGE-S345080013	M8x1.25	8	*	8	
13	40007415	RUBBER-CUSHION-TRG840		10	*	10	
14	40012109	WASHER-STEP-TRG840		5	*	5	
15	40012585	BRACKET-COVER(LH)-TRG840		1	*	1	
16	40012263	BRACKET-COVER(RH)-TRG840		1	*	1	
17	40223406	COVER-LHSBG840	S-BLUE	1	*	1	
18	40223408	COVER-RHSBG840	S-BLUE	1	*	1	
19	40007334	WEATHER STRIP-U-TRG970		2	*	2	
20	40006851	MAT-STEP(LH)-TRG840		1	*	1	
21	40006850	MAT-STEP(RH)-TRG840		1	*	1	
22	40011710	BRACKET-MAT-TRG840		2	*	2	
23	40012262	WASHER-MAT-TRG840		4	*	4	
24	40028674	SCREW-CROSS CSNK-S220802511	M8x1.25x25L	8	*	8	

# SEAT

FIG. 10-4B

G. 850



# SEAT

A-C3030, B-C3035, C-C3040

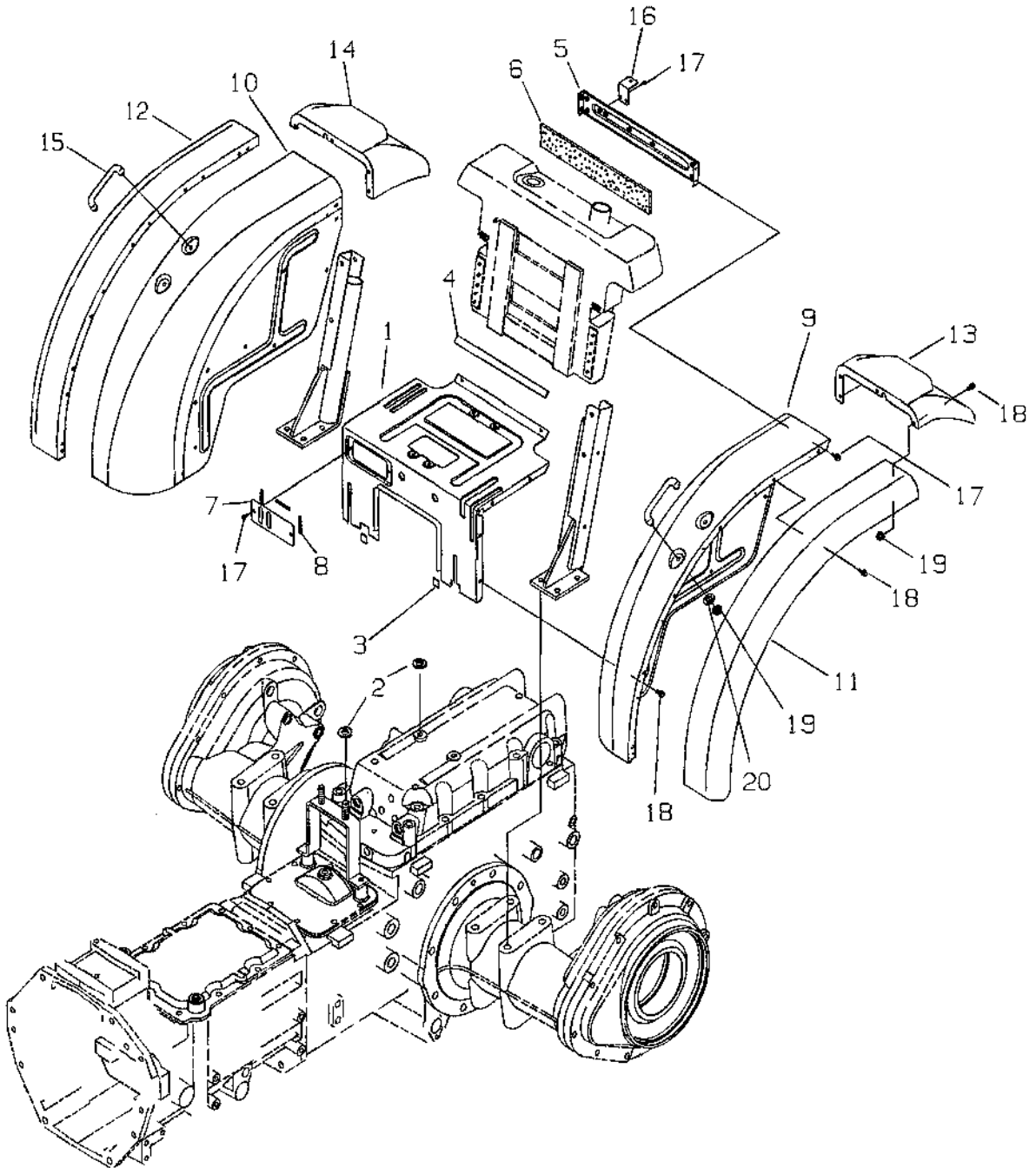
**FIG. 10-4B**

NO.	PART NO.	PART NAME & DESCRIPTION	QTY			APP.NO	REM.	
			A	B	C			
1	40011715	BRACKET-SEAT-TRG850	1	1	1			
2-3	40007722	SEAT+BELT ASSY-TRG850	1	1	1			
2	*	SEAT ASSY-TRG850	1	1	1			
3	40007675	SEAT BELT ASSY-TRG850	1	1	1			
4	40028986	BOLT-HEX WWS-S156102533	M10x1.25x25L	2	2	2		
5	40029079	NUT-FLANGE-S346100013	M10x1.25	4	4	4		

# FENDER

FIG. 10-14F

G. 870



# FENDER

A-C3030, B-C3035, C-C3040

**FIG. 10-14F**

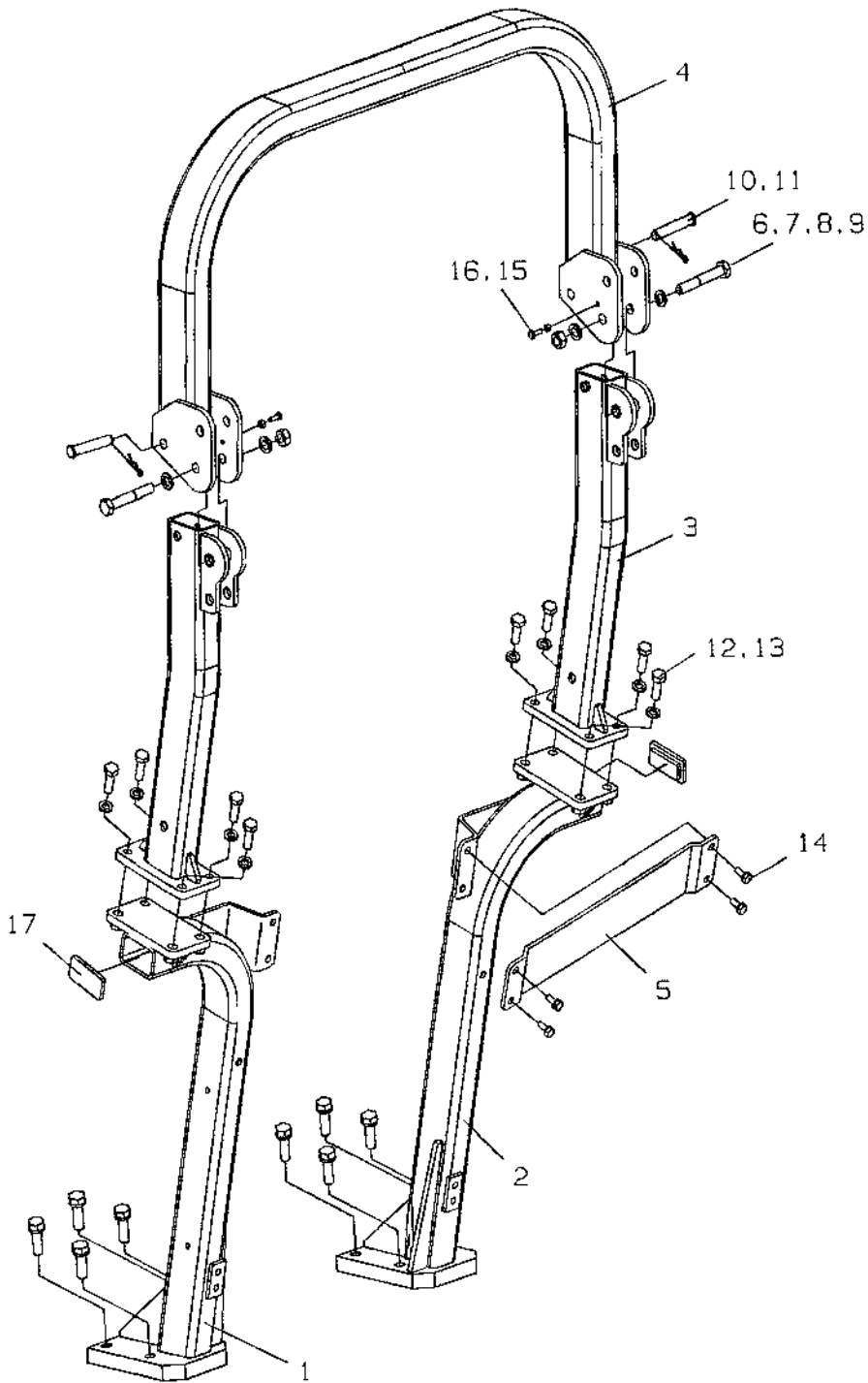
NO.	PART NO.	PART NAME & DESCRIPTION	QTY			APP.NO	REM.
			A	B	C		
1	40223404	COVER-CENTERSBG870					
2	40007415	RUBBER-CUSHION-TRG840					
3	40006883	SPONGE-TRG870					
4	40007336	WEATHER STRIP-DUST-TRG970					
5	40011720	COVER-REAR-TRG870					
6	40006940	SPONGE-TRG870					
7	40223402	COVER ASSY-STOPPER-G870					
8	40006872	SPONGE-TRG870					
9	40223413	FENDER-LHSBG870					
10	40223414	FENDER-RHSBG870					
11	40008256	GUARD-MUD(LH)-TRG870					
12	40008257	GUARD-MUD(RH)-TRG870					
13	40008258	GUARD-MUD REAR(LH)-TRG870					
14	40008259	GUARD-MUD REAR(RH)-TRG870					
15	40008327	HANDLE-RAIL-TRG870					
16	40012273	BRACKET-WORKING LIGHT-TRG870					
17	40029004	BOLT-HEX W/WS-S159081633	M8x1.25x16L				
18	40029006	BOLT-HEX W/WS-S159082033	M8x1.25x20L				
19	40029075	NUT-FLANGE-S345080013	M8x1.25				
20	40028196	WASHER-PLN-S365082813	D26/8.4x2.5T				



# ROPS

FIG. 10-15C

G. 880



# ROPS

A-C3030, B-C3035, C-C3040

**FIG. 10-15C**

**( R/ROPS )**

NO.	PART NO.	PART NAME & DESCRIPTION	QTY			APP.NO	REM.
			A	B	C		
1-17	*	ROPS ASSY-REAR-G880	1	1	1		
1	40011685	PILLAR-R/ROPS LOW(LH)-TRG880	1	1	1		
2	40011686	PILLAR-R/ROPS LOW(RH)-TRG880	1	1	1		
3	40011411	PILLAR-REAR ROPS MID-TRG880	2	2	2		
4	40011687	BEAM-REAR ROPS UPPER-TRG880	1	1	1		
5	40012447	PLATE-CONNECTOR-TRG880	1	1	1		
6	40029407	BOLT-HEX-S101149043	M14X2.0X90L	2	2	2	
7	40028727	NUT-HEX 1 TY-S301140043	M14X2.0	2	2	2	
8	40029553	WASHER-SPR-S361140013	D24.5Xd14.2X3.5t	2	2	2	
9	40028160	WASHER-PLN-S363140013	D24Xd15X2.5t	2	2	2	
10	40029111	PIN-HEAD-S427148023	Φ14X80L	2	2	2	
11	40029134	PIN-SNAP-S443140013	Φ14X40.6L	2	2	2	
12	40028874	BOLT-HEX-S105124553	M12X1.75X45L	8	8	8	
13	40029551	WASHER-SPR-S361120013	D21.5Xd12.2X3t	8	8	8	
14	40029008	BOLT-HEX WWS-S159082533	M8X1.25X25L	4	4	4	
15	40029491	BOLT-HEX FT-S163062043	M6X1.0X20L	2	2	2	
16	40028719	NUT-HEX 1 TY-S301060043	M6X1.0	2	2	2	
17	40007438	COVER-RUBBER-TRG880		2	2	2	

## Part Number INDEX

## CHASSIS (C3030/C3040)

PART NO.	FIG. NO.	Key No	PART NO.	PART NO.	FIG. NO.	Key No	PART NO.	PART NO.	FIG. NO.	Key No	PART NO.
20020323	10-1E	37-44	A1830523	40006908	9-5E	3	3A1823010	40007081	8-3B	16	A1750171
20020341	8-3B	18	A1750173	40006908	9-5F	3	3A1823010	40007084	8-3A	11-14	A1750124
20020341	8-3C	18	A1750173	40006913	6-4A	4	A1630547	40007084	8-3B	11-14	A1750124
20020342	8-3A	16	A1730144	40006913	6-4B	4	A1630547	40007084	8-3C	11-14	A1750124
20020342	8-3C	16	A1730144	40006913	6-4C	4	A1630547	40007088	8-1B	3	A1730111
20020343	8-3B	3	A5001132	40006930	2-1A	5	A1040089	40007088	8-1C	3	A1730111
20020343	8-3C	3	A5001132	40006930	2-1B	5	A1040089	40007081	8-1B	6	A1730170
20020403	3-4A	1	A1250109	40006930	2-1C	5	A1040089	40007091	8-1C	6	A1730170
20020403	3-4B	1	A1250109	40006931	2-1A	7	A1040093	40007096	8-3A	8	Q1800017
20020403	3-4C	1	A1250109	40006931	2-1B	7	A1040093	40007096	8-3B	8	Q1800017
20020406	3-4B	18	A1280128	40006931	2-1C	7	A1040093	40007096	8-3C	8	Q1800017
20020421	5-5	1-21	A1480068	40006936	2-1A	8	A1040133	40007097	8-2	8	A1740002
20020422	5-5	25	A1480069	40006936	2-1B	8	A1040133	40007100	8-1A	4	A1730135
20021270	5-1	2	A1400287	40006936	2-1C	8	A1040133	40007100	8-1D	4	A1730135
20021323	8-4C	11	A1760057	40006939	2-1A	6	A1040090	40007106	8-1A	3	A1730063
20021957	3-4A	18	A1280171	40006939	2-1B	6	A1040090	40007106	8-1D	3	A1730063
20021957	3-4C	18	A1280171	40006939	2-1C	6	A1040090	40007119	8-3A	3	A1750150
20021961	4-2	1-17	A1324103	40006940	10-14A	6	A1870233	40007123	8-4C	6	A1760051
20021968	10-2A	9	A1840214	40006940	10-14B	6	A1870233	40007128	8-4C	18	A1760063
20021969	10-2A	10	A1840215	40006940	10-14C	6	A1870233	40007130	8-4C	14	A1760050
40006709	2-7A	5	A1215029	40006940	10-14D	6	A1870233	40007142	8-1D	1	A1730199
40006709	2-7B	5	A1215029	40006940	10-14E	6	A1870233	40007143	8-1C	12	A1730223
40006713	2-7A	12	A1215030	40006941	2-4	6	A1151101	40007152	8-3B	19	A1750174
40006713	2-7B	12	A1215030	40006942	9-7A	7	A1825024	40007152	8-3C	19	A1750174
40006720	10-15A	5	A1880009	40006942	9-7B	7	A1825024	40007155	8-2	6	A1740030
40006737	2-1A	1-12	A1040155	40006943	9-7B	4	A1825023	40007158	8-2	5	A1740020
40006737	2-1C	1-12	A1040155	40006948	10-1A	26	A1830289	40007165	8-1A	5	A1730146
40006746	2-1B	1-12	A1040139	40006948	10-1B	26	A1830289	40007165	8-1D	5	A1730146
40006749	10-15D	17-23	A1880084	40006948	10-1D	26	A1830289	40007166	8-1C	1	A1730152
40006767	10-16A	2-14	A1880017	40006948	10-1C	26	A1830289	40007169	8-1B	5	A1730173
40006771	10-14B	7	A1870499	40006961	2-5	9	A1170128	40007169	2-5	5	A1730173
40006773	2-1B	9	A1040111	40006971	2-6B	3	A1190054	40007172	8-1D	12	A1730228
40006782	10-14D	7	A1870444	40006999	8-4A	5	A1760028	40007175	8-3A	9	Q1800018
40006786	2-1A	9	A1040170	40006999	8-4C	7	A1760028	40007175	8-3B	9	Q1800018
40006786	2-1C	9	A1040170	40007000	8-4B	5	A1760037	40007175	8-3C	9	Q1800018
40006803	10-1D	37-40	A1830600	40007001	8-4C	19	A1760044	40007177	8-1A	1	A1730062
40006804	10-1B	37-40	A1830775	40007013	8-4B	3	A1760035	40007177	8-1B	1	A1730062
40006831	10-2A	7	A1840076	40007014	8-4A	10-15	A1760034	40007178	8-1A	2	A1730064
40006831	10-2B	7	A1840076	40007014	8-4B	10-15	A1760034	40007178	8-1B	2	A1730064
40006831	10-2C	7	A1840076	40007023	8-4A	3	A1760026	40007178	8-1C	2	A1730064
40006831	10-2D	7	A1840076	40007024	8-4C	3	A1760047	40007178	8-1D	2	A1730064
40006836	10-1E	26	A1830308	40007030	2-1B	10	A1750176	40007184	8-3A	10	A30G0005
40006850	10-2B	21	A1840071	40007034	2-1A	10	A1750123	40007184	8-3B	10	A30G0005
40006850	10-2C	21	A1840071	40007034	2-1C	10	A1750123	40007184	8-3C	10	A30G0005
40006850	10-2D	21	A1840071	40007035	8-3A	1	A1750217	40007187	8-3A	19	A1750122
40006851	10-2B	20	A1840070	40007035	8-3B	1	A1750217	40007201	8-3A	-	A1750140
40006851	10-2C	20	A1840070	40007035	8-3C	1	A1750217	40007201	8-3B	-	A1750140
40006851	10-2D	20	A1840070	40007045	8-1A	11	A5002054	40007201	8-3C	-	A1750140
40006872	10-14A	8	A1870234	40007045	8-1B	11	A5002054	40007202	8-4C	4	A1760016
40006872	10-14B	8	A1870234	40007045	8-1C	11	A5002054	40007203	8-4A	9	A1760043
40006872	10-14C	8	A1870234	40007045	8-1D	11	A5002054	40007203	8-4B	9	A1760043
40006872	10-14D	8	A1870234	40007049	8-3A	21	A1750257	40007203	8-4C	8	A1760043
40006872	10-14E	8	A1870234	40007049	8-3B	21	A1750257	40007204	8-3A	-	A1750141
40006883	10-14A	3	A1870237	40007049	8-3C	21	A1750257	40007204	8-3B	-	A1750141
40006883	10-14B	3	A1870237	40007058	8-1B	4	A1730201	40007204	8-3C	-	A1750141
40006883	10-14C	3	A1870237	40007058	8-1C	4	A1730201	40007208	8-4A	15	A1760036
40006883	10-14D	3	A1870237	40007058	8-3A	20-21	A1750258	40007208	8-4B	15	A1760036
40006883	10-14E	3	A1870237	40007063	8-3B	20-21	A1750258	40007207	8-4C	5	A1760017
40006890	2-5	11	A1170102	40007063	8-3C	20-21	A1750258	40007208	8-4A	13	A1760031
40006892	2-1A	4	A1040088	40007066	8-4B	4	A1760036	40007208	8-4B	13	A1760031
40006892	2-1B	4	A1040088	40007067	8-4A	4	A1760027	40007216	8-4A	14	A1730075
40006892	2-1C	4	A1040088	40007069	8-3A	7	Q1800011	40007216	8-4B	14	A1730075
40006908	9-5A	3	3A1823010	40007069	8-3B	7	Q1800011	40007243	10-16A	1	A1880010
40006908	9-5B	3	3A1823010	40007069	8-3C	7	Q1800011	40007243	10-16B	15	A1880010
40006908	9-5C	3	3A1823010	40007071	8-1A	6	A1730091	40007252	2-5	14	A1170082
40006908	9-5D	3	3A1823010	40007071	8-1D	6	A1730091	40007253	2-5	16	A1170083

# Part Number INDEX

## CHASSIS (C3030/C3040)

PART NO.	FIG. NO.	Key No	PART NO.	PART NO.	FIG. NO.	Key No	PART NO.	PART NO.	FIG. NO.	Key No	PART NO.
40007256	2-6B	6	A1190078	40007451	10-1B	8	A1830288	40007542	10-1C	11	A1970269
40007289	10-1A	22	A1830252	40007451	10-1D	8	A1830288	40007542	10-1E	11	A1970269
40007289	10-1B	22	A1830252	40007451	10-1C	8	A1830288	40007547	6-2A	16	A1630164
40007289	10-1D	22	A1830252	40007451	10-1E	8	A1830288	40007547	6-2B	16	A1630164
40007289	10-1C	22	A1830252	40007452	10-1A	49	A1830357	40007547	9-13C	17	A1630164
40007289	10-1E	22	A1830252	40007452	10-1B	49	A1830357	40007575	2-6A	2	A1190111
40007296	10-1A	21	A1830240	40007452	10-1D	49	A1830357	40007577	9-2A	5	A1822151
40007296	10-1B	21	A1830240	40007452	10-1C	49	A1830357	40007577	9-2B	5	A1822151
40007296	10-1D	21	A1830240	40007452	10-1E	51	A1830357	40007588	9-9C	2	A1827178
40007296	10-1C	21	A1830240	40007453	10-14A	11	A1870292	40007590	5-6	6~10	A1490022
40007296	10-1E	21	A1830240	40007456	8-4A	12	A1970303	40007591	5-6	3	A1490207
40007322	3-4A	16	3A1970068	40007456	8-4B	12	A1970303	40007594	9-9B	2	A1827260
40007322	3-4B	16	3A1970068	40007456	10-1A	43	A1970303	40007595	3-1	4	A1250094
40007322	3-4C	16	3A1970068	40007456	10-1B	43	A1970303	40007600	6-4A	3	A1630562
40007331	6-4A	5	A1630166	40007456	10-1D	43	A1970303	40007600	6-4B	3	A1630562
40007331	6-4B	5	A1630166	40007456	10-1C	43	A1970303	40007600	6-4C	3	A1630562
40007331	6-4C	5	A1630166	40007456	10-1E	45	A1970303	40007615	2-5	1	A1170076
40007334	10-2B	19	A1970346	40007457	10-1A	36	A1970304	40007616	2-6B	1	A1190079
40007334	10-2C	19	A1970346	40007457	10-1B	36	A1970304	40007618	9-5A	6	A1823279
40007334	10-2D	19	A1970346	40007457	10-1D	36	A1970304	40007618	9-5B	6	A1823279
40007335	10-16A	4	A1880014	40007457	10-1C	36	A1970304	40007618	9-5C	7	A1823279
40007335	10-16B	7	A1880014	40007457	10-1E	36	A1970304	40007618	9-5D	7	A1823279
40007336	10-14A	4	A1970347	40007459	2-5	2	A1970360	40007618	9-5E	7	A1823279
40007336	10-14B	4	A1970347	40007475	6-3	9	A1630153	40007618	9-5F	7	A1823279
40007336	10-14C	4	A1970347	40007478	10-2A	5	A3260012	40007623	5-6	5	A1490230
40007336	10-14D	4	A1970347	40007478	10-2B	5	A3260012	40007626	5-6	5	A1490231
40007336	10-14E	4	A1970347	40007478	10-2C	5	A3260012	40007638	9-5C	14	A1823315
40007354	3-4A	14	3A1250009	40007478	10-2D	5	A3260012	40007638	9-5F	14	A1823315
40007364	5-2B	5	3A1970056	40007482	2-5	12	A1170095	40007645	5-6	2	A1490220
40007364	5-2C	5	3A1970056	40007496	10-1A	44	A1830166	40007647	5-6	2	A1490221
40007382	3-2	2	A1670084	40007496	10-1B	44	A1830166	40007666	9-3	4	A1822105
40007382	7-2	4	A1670084	40007496	10-1D	44	A1830166	40007675	10-4B	3	A1850244
40007393	10-16A	8	A1877076	40007496	10-1C	44	A1830166	40007678	3-1	3	A1250107
40007393	10-16B	3	A1877076	40007496	10-1E	46	A1830166	40007685	3-10A	7	A1287283
40007396	2-1C	16	A1040104	40007504	9-5A	31	A1823331	40007689	9-4	2	A1822077
40007398	2-1A	18	A1040205	40007504	9-5B	31	A1823331	40007699	10-4C	2~3	A1850221
40007398	2-1B	18	A1040205	40007504	9-5C	25	A1823331	40007701	9-3	3	A1822091
40007408	9-5A	28	3A1823029	40007504	9-5D	25	A1823331	40007703	10-1A	45	2A1909001
40007408	9-5B	29	3A1823029	40007504	9-5E	40	A1823331	40007703	10-1B	45	2A1909001
40007408	9-5C	33	3A1823029	40007504	9-5F	40	A1823331	40007703	10-1D	45	2A1909001
40007408	9-5D	33	3A1823029	40007505	6-2A	15	A1630163	40007703	10-1C	45	2A1909001
40007408	9-5E	34	3A1823029	40007505	6-2B	15	A1630163	40007703	10-1E	47	2A1909001
40007408	9-5F	34	3A1823029	40007505	9-13C	16	A1630163	40007706	9-3	8	A1822093
40007415	10-2A	13	A1840074	40007509	9-5A	12	A1823059	40007719	7-1	15	A1650071
40007415	10-2B	13	A1840074	40007509	9-5B	12	A1823059	40007720	7-1	1-7	A1650072
40007415	10-2C	13	A1840074	40007509	9-5C	13	A1823059	40007721	7-1	5	A1653063
40007415	10-2D	13	A1840074	40007509	9-5D	13	A1823059	40007722	10-4B	2~3	A1850092
40007415	10-14A	2	A1840074	40007509	9-5E	13	A1823059	40007726	9-9A	2	A1827190
40007415	10-14B	2	A1840074	40007509	9-5F	13	A1823059	40007734	3-10B	5	A1287185
40007415	10-14C	2	A1840074	40007513	6-2A	9	A1630162	40007737	10-4A	2~7	A1850111
40007415	10-14D	2	A1840074	40007513	6-2B	9	A1630162	40007742	9-5A	13	A1823132
40007415	10-14E	2	A1840074	40007513	9-13C	12	A1630162	40007742	9-5B	13	A1823132
40007424	2-6A	13	A1190192	40007516	3-6A	1	A1283016	40007742	9-5D	14	A1823132
40007425	2-6A	14	A1190193	40007516	3-6B	1	A1283016	40007742	9-5E	14	A1823132
40007426	5-2A	19	3A1970012	40007531	2-5	7	A1970258	40007743	2-3	4	A1100054
40007428	10-1A	3	A1970210	40007535	2-1A	15	A1040074	40007747	5-6	1	A1490036
40007428	10-1B	3	A1970210	40007535	2-1B	15	A1040074	40007749	5-6	1	A01494003
40007428	10-1D	3	A1970210	40007535	2-1C	13	A1040074	40007751	6-3	6	A1970233
40007428	10-1C	3	A1970210	40007537	2-6A	7	A1830261	40007754	5-6	4	A00010525
40007428	10-1E	3	A1970210	40007537	2-6B	7	A1830261	40007784	10-4C	3	A1850226
40007433	9-8	3	A1826085	40007539	2-1A	16	A1040075	40007786	5-5	16	A1480058
40007438	10-15C	17	A1880103	40007539	2-1B	16	A1040075	40007787	5-5	3	A1480102
40007442	3-4A	25	A1280110	40007541	6-3	10	A1630281	40007820	3-5A	8	A1281165
40007442	3-4B	25	A1280110	40007542	10-1A	11	A1970269	40007820	3-5B	8	A1281165
40007442	3-4C	25	A1280110	40007542	10-1B	11	A1970269	40007820	3-5C	8	A1281165
40007451	10-1A	8	A1830288	40007542	10-1D	11	A1970269	40007822	3-1	11	A1250113

# Part Number INDEX

## CHASSIS (C3030/C3040)

PART NO.	FIG. NO.	Key No	PART NO.	PART NO.	FIG. NO.	Key No	PART NO.	PART NO.	FIG. NO.	Key No	PART NO.
40007830	5-2A	16	A1400093	40008105	6-4A	10,11	A1630494	40008255	2-1C	3	A1040086
40007830	5-4	7	A1400093	40008106	6-4A	9,11	A1630495	40008256	10-14B	11	A1870211
40007833	3-7A	27	A1326067	40008108	6-2A	3	A1630327	40008256	10-14C	11	A1870211
40007833	3-7B	27	A1326067	40008108	6-2B	3	A1630327	40008256	10-14D	11	A1870211
40007835	3-7A	14	A1326032	40008112	9-2A	1-3	A1824034	40008256	10-14E	11	A1870211
40007835	3-7B	14	A1326032	40008124	9-5E	20,21	A1823486	40008257	10-14B	12	A1870212
40007837	3-1	7	A1250062	40008124	9-5F	20,21	A1823486	40008257	10-14C	12	A1870212
40007845	6-2B	1	A1630619	40008125	9-5E	21-23	A1823490	40008257	10-14D	12	A1870212
40007860	2-1A	17	A1040127	40008125	9-5F	21-23	A1823490	40008257	10-14E	12	A1870212
40007860	2-1B	17	A1040127	40008143	6-4C	9,11	A1630617	40008258	10-14B	13	A1870213
40007862	3-1	3-4	A1250111	40008144	6-4C	10,11	A1630618	40008258	10-14C	13	A1870213
40007871	5-5	17	A1480057	40008145	9-4	3	A1822131	40008258	10-14D	13	A1870213
40007876	5-6	4	A1494044	40008146	9-8	17-22	A1826078	40008258	10-14E	13	A1870213
40007883	9-9A	34	A1827168	40008146	9-9A	23-28	A1826078	40006259	10-14B	14	A1870214
40007883	9-9B	39	A1827168	40008146	9-9B	30-35	A1826078	40008259	10-14C	14	A1870214
40007883	9-9C	39	A1827168	40008146	9-9C	30-35	A1826078	40008259	10-14D	14	A1870214
40007887	8-3A	2	A1750165	40008152	9-5E	21,24	A1823492	40008259	10-14E	14	A1870214
40007887	8-3B	2	A1750165	40008152	9-5F	21,24	A1823492	40008299	8-3A	20	A1750178
40007887	8-3C	2	A1750165	40008155	9-8B	16-20	A1824023	40008299	8-3B	20	A1750178
40007888	2-6A	1-3	A1190110	40008161	9-8	10	A1826037	40008299	8-3C	20	A1750178
40007900	6-2A	8	A1630161	40008162	9-13A	14	A1896086	40008300	8-3A	22	A1750153
40007900	6-2B	8	A1630161	40008163	9-13A	13	A1896091	40008300	8-3B	22	A1750153
40007900	9-13C	11	A1630161	40008164	9-5A	20	A1823076	40008300	8-3C	22	A1750153
40007901	5-2B	12	A1400077	40008164	9-5B	20	A1823076	40008308	10-1A	25	A1830257
40007901	5-2C	12	A1400077	40008164	9-5C	21	A1823076	40008308	10-1B	25	A1830257
40007917	3-9A	12	A1287211	40008164	9-5D	21	A1823076	40008308	10-1D	25	A1830257
40007917	3-9B	6	A1287211	40008165	9-2B	1-3	A1824025	40008308	10-1C	25	A1830257
40007918	5-2B	11	A1400168	40008166	9-12	13-16	3A1896002	40008308	10-1E	25	A1830257
40007918	5-2C	11	A1400168	40008172	6-2A	7	A1630319	40008309	2-5	13	A1170031
40007918	5-4	20	A1400168	40008172	6-2B	7	A1630319	40008318	8-3A	4	A30A0237
40007922	9-9B	23	A1827177	40008178	6-4B	10,11	A1CMS002	40008327	10-14A	14	3A1870006
40007922	9-9C	23	A1827177	40008178	6-4C	10,11	A1CMS002	40008327	10-14B	15	3A1870006
40007925	2-2	4	A1100045	40008179	6-4B	9,11	A1CMS003	40008327	10-14C	15	3A1870006
40007937	6-2A	1	A1630245	40008179	6-4C	9,11	A1CMS003	40008327	10-14D	15	3A1870006
40007937	6-2B	1	A1630245	40008180	9-5B	19-21	A1CMS006	40008327	10-14E	15	3A1870006
40007964	10-15D	16	A1880048	40008181	9-5C	20-24	A1CMS009	40008339	2-3	7	A1100058
40007973	9-3	5	A1822095	40008181	9-5D	20-24	A1CMS009	40008344	9-1A	13	3A1821004
40007983	5-2B	19	A1400076	40008182	9-5A	19-21	A1CMS306	40008344	9-1B	13	3A1821004
40007983	5-2C	19	A1400076	40008219	6-3	13-15	A5002130	40008368	9-7A	17	A1825057
40007991	6-4A	11,12	A1630496	40008220	10-1D	18	A1830328	40008368	9-7B	18	A1825057
40007991	6-4B	11,12	A1630496	40008220	10-1C	18	A1830328	40008371	10-1A	23	A1830283
40007991	6-4C	11,12	A1630496	40008220	10-1E	18	A1830328	40008371	10-1B	23	A1830283
40008018	9-10B	1-15	A1828055	40008221	10-1A	15	A1830584	40008371	10-1D	23	A1830283
40008019	9-12	1	A1896468	40008221	10-1B	15	A1830584	40008371	10-1C	23	A1830283
40008020	9-14	3-6	A1896471	40008221	10-1D	15	A1830584	40008371	10-1E	23	A1830283
40008022	9-13B	13	A1896523	40008221	10-1C	15	A1830584	40008375	3-14A	36	A1970241
40008042	6-4B	8,11	A1630587	40008221	10-1E	15	A1830584	40008375	3-14B	17	A1970241
40008042	6-4C	8,11	A1630587	40008222	10-1A	16	A1830585	40008375	7-3A	6	A1970241
40008047	9-1B	15	A1821026	40008222	10-1B	16	A1830585	40008375	9-7A	6	A1970241
40008061	9-9A	18	A1827285	40008222	10-1D	16	A1830585	40008375	9-7B	16	A1970241
40008062	9-11C	4-8	A1891056	40008222	10-1C	16	A1830585	40008376	8-4C	10	A1970263
40008067	6-1	1-5	A1610031	40008222	10-1E	16	A1830585	40008377	3-14A	37	A1970299
40008071	6-4A	8,11	A1630564	40008228	10-1A	17	A1830220	40008377	3-14B	18	A1970299
40008071	6-4C	8,11	A1630564	40008228	10-1B	17	A1830220	40008380	9-8	14	A1970353
40008074	9-6B	1-12	A1824024	40008228	10-1D	17	A1830220	40008380	9-9A	21	A1970353
40008083	9-13B	14	A1896528	40008228	10-1C	17	A1830220	40008380	9-9B	27	A1970353
40008087	6-2A	5-19	A1630293	40008228	10-1E	17	A1830220	40008380	9-9C	27	A1970353
40008087	6-2B	5-19	A1630293	40008230	10-1A	18	A1830223	40008399	6-3	14	A5000583
40008088	9-4	1-5	A1822127	40008230	10-1B	18	A1830223	40008400	9-7A	22	A1825056
40008098	6-3	4-9	A1630230	40008246	10-14A	13	A1870289	40008400	9-7B	23	A1825056
40008099	9-3	3-11	A1822089	40008252	10-14A	12	A1870286	40008401	10-15D	5	A1970371
40008100	9-12	1	A1896320	40008254	2-1A	2	A1040085	40008402	10-1A	27	A1830286
40008102	6-1	5	A1610035	40008254	2-1B	2	A1040085	40008402	10-1B	27	A1830286
40008103	6-1	1	A1610036	40008254	2-1C	2	A1040085	40008402	10-1D	27	A1830286
40008104	6-4A	13	A1630338	40008255	2-1A	3	A1040086	40008402	10-1C	27	A1830286
40008104	6-4B	13	A1630338	40008255	2-1B	3	A1040086	40008402	10-1E	27	A1830286

# Part Number INDEX

## CHASSIS (C3030/C3040)

PART NO.	FIG. NO.	Key No	PART NO.	PART NO.	FIG. NO.	Key No	PART NO.	PART NO.	FIG. NO.	Key No	PART NO.
40008403	9-9A	4	A1970242	40008500	11-2E	35	A1980848	40008758	11-2B	8	A1980748
40008403	9-9B	4	A1970242	40008500	11-2G	37	A1980848	40008758	11-2C	9	A1980748
40008403	9-9C	4	A1970242	40008521	11-2G	17	A1980988	40008758	11-2D	6	A1980748
40008406	3-13	1	A1970275	40008522	11-2G	18	A1980990	40008758	11-2E	9	A1980748
40008407	2-2	5	A1970286	40008523	11-2G	19	A1980992	40008758	11-2F	7	A1980748
40008407	2-3	5	A1970286	40008524	11-2G	20	A1980993	40008766	11-2A	5	A1980802
40008408	3-14A	17	A1970291	40008525	11-2G	21	A1980994	40008767	11-2A	6	A1980803
40008416	2-1A	1	A1040052	40008526	11-2G	22	A1980995	40008768	11-2A	7	A1980805
40008416	2-1B	1	A1040052	40008527	11-2G	23	A1980996	40008769	11-2A	8	A1980806
40008416	2-1C	1	A1040052	40008528	11-2G	24	A1980997	40008770	11-2A	9	A1980807
40008420	8-3B	4	A5001135	40008529	11-2G	25	A1980998	40008771	11-2A	10	A1980809
40008420	8-3C	4	A5001135	40008530	11-2G	28	A1981001	40008772	11-2A	11	A1980812
40008439	8-4A	10	A1760032	40008531	11-2G	29	A1981002	40008783	11-2A	19	A1980831
40008439	8-4B	10	A1760032	40008532	11-2G	30	A1981003	40008784	11-2F	30	A1980832
40008440	9-3	6	A1822094	40008533	11-2G	31	A1981004	40008786	11-2B	10	A1980835
40008457	11-2B	32	A1981161	40008534	11-2G	32	A1981005	40008786	11-2C	12	A1980835
40008459	11-2B	32	A1981162	40008535	11-2G	33	A1981006	40008786	11-2D	8	A1980835
40008468	11-2A	20	A1980983	40008536	11-2G	34	A1981007	40008786	11-2E	33	A1980835
40008468	11-2B	21	A1980983	40008562	11-2A	26	A1981068	40008786	11-2G	7	A1980835
40008468	11-2C	25	A1980983	40008562	11-2C	32	A1981068	40008790	11-2C	14	A1980842
40008468	11-2D	12	A1980983	40008562	11-2E	30	A1981068	40008790	11-2E	12	A1980842
40008468	11-2E	23	A1980983	40008562	11-2F	26	A1981068	40008790	11-2G	9	A1980842
40008468	11-2F	17	A1980983	40008562	11-2G	35	A1981068	40008804	11-2B	12	A1980932
40008468	11-2G	12	A1980983	40008567	6-3	15	A1981077	40008804	11-2C	16	A1980932
40008469	11-2A	12	A1980984	40008736	10-1A	48	A1980490	40008804	11-2D	9	A1980932
40008469	11-2B	22	A1980984	40008736	10-1B	48	A1980490	40008804	11-2E	15	A1980932
40008469	11-2C	28	A1980984	40008736	10-1D	48	A1980490	40008805	11-2B	13	A1980935
40008469	11-2D	13	A1980984	40008736	10-1C	48	A1980490	40008805	11-2C	17	A1980935
40008469	11-2E	24	A1980984	40008736	10-1E	50	A1980490	40008805	11-2E	16	A1980935
40008469	11-2F	18	A1980984	40008736	11-2A	2	A1980490	40008805	11-2F	11	A1980935
40008469	11-2G	13	A1980984	40008736	11-2F	27	A1980490	40008806	11-2B	14	A1980936
40008473	11-2B	6	A1980734	40008739	11-2A	30	A1980535	40008806	11-2C	18	A1980936
40008473	11-2C	7	A1980734	40008742	11-2A	16	A1980573	40008806	11-2E	17	A1980936
40008473	11-2E	7	A1980734	40008742	11-2B	1	A1980573	40008806	11-2F	12	A1980936
40008473	11-2F	5	A1980734	40008742	11-2C	1	A1980573	40008807	11-2B	15	A1980937
40008474	11-2B	7	A1980736	40008742	11-2D	1	A1980573	40008807	11-2C	19	A1980937
40008474	11-2C	8	A1980736	40008742	11-2E	1	A1980573	40008807	11-2E	18	A1980937
40008474	11-2E	8	A1980736	40008742	11-2F	1	A1980573	40008807	11-2F	13	A1980937
40008474	11-2F	6	A1980736	40008742	11-2G	1	A1980573	40008808	11-2B	17	A1980941
40008477	11-2B	9	A1980785	40008750	11-2C	3	A1980676	40008808	11-2C	21	A1980941
40008477	11-2C	10	A1980785	40008750	11-2E	3	A1980676	40008808	11-2E	20	A1980941
40008477	11-2D	7	A1980785	40008750	11-2G	2	A1980676	40008811	11-2B	20	A1980963
40008477	11-2E	10	A1980785	40008752	11-2A	32	A1980718	40008811	11-2C	24	A1980963
40008477	11-2F	8	A1980785	40008752	11-2F	29	A1980718	40008811	11-2D	11	A1980963
40008478	11-2C	11	A1980788	40008753	11-2B	3	A1980720	40008811	11-2E	22	A1980963
40008478	11-2E	11	A1980788	40008753	11-2C	4	A1980720	40008811	11-2F	16	A1980963
40008478	11-2F	9	A1980788	40008753	11-2D	3	A1980720	40008813	11-2A	21	A1980985
40008479	11-2F	10	A1980790	40008753	11-2E	4	A1980720	40008813	11-2B	23	A1980985
40008481	11-2B	11	A1980891	40008753	11-2G	3	A1980720	40008813	11-2C	27	A1980985
40008481	11-2C	15	A1980891	40008754	11-2A	17	A1980721	40008813	11-2D	14	A1980985
40008481	11-2E	13	A1980891	40008754	11-2B	4	A1980721	40008813	11-2E	25	A1980985
40008482	11-2B	30	A1981076	40008754	11-2C	5	A1980721	40008813	11-2F	19	A1980985
40008482	11-2C	34	A1981076	40008754	11-2D	4	A1980721	40008813	11-2G	14	A1980985
40008482	11-2E	32	A1981076	40008754	11-2E	5	A1980721	40008814	11-2A	22	A1980986
40008482	11-2F	25	A1981076	40008754	11-2F	2	A1980721	40008814	11-2B	24	A1980986
40008485	11-2B	16	A1980940	40008754	11-2G	4	A1980721	40008814	11-2C	28	A1980986
40008485	11-2C	20	A1980940	40008755	11-2A	18	A1980722	40008814	11-2D	15	A1980986
40008485	11-2E	19	A1980940	40008755	11-2B	5	A1980722	40008814	11-2E	26	A1980986
40008485	11-2F	14	A1980940	40008755	11-2C	6	A1980722	40008814	11-2F	20	A1980986
40008493	11-2A	14	A1981071	40008755	11-2D	5	A1980722	40008814	11-2G	15	A1980986
40008498	11-2C	35	A1980847	40008755	11-2E	6	A1980722	40008815	11-2A	29	A1980987
40008498	11-2E	35	A1980847	40008755	11-2F	3	A1980722	40008815	11-2B	25	A1980987
40008498	11-2G	37	A1980847	40008755	11-2G	5	A1980722	40008815	11-2C	29	A1980987
40008499	11-2A	23	A1981066	40008756	11-2A	33	A1980723	40008815	11-2D	16	A1980987
40008499	11-2F	31	A1981066	40008756	11-2F	4	A1980723	40008815	11-2E	27	A1980987
40008500	11-2C	35	A1980848	40008756	11-2G	6	A1980723	40008815	11-2F	21	A1980987

## Part Number INDEX

## CHASSIS (C3030/C3040)

PART NO.	FIG. NO.	Key No	PART NO.	PART NO.	FIG. NO.	Key No	PART NO.	PART NO.	FIG. NO.	Key No	PART NO.
40008815	11-2G	16	A1980987	40009103	3-6B	9	A1281502	40009405	3-5B	17	A1281426
40008816	11-2A	13	A1980988	40009115	3-7A	21	A1285150	40009406	3-7A	3	A1285153
40008816	11-2B	26	A1980989	40009115	3-7B	21	A1285150	40009407	3-5C	16	A1281483
40008816	11-2C	30	A1980999	40009135	3-5A	9	A1281422	40009408	3-5A	20	A1281485
40008816	11-2D	17	A1980999	40009135	3-5B	9	A1281422	40009408	3-5B	20	A1281485
40008816	11-2E	28	A1980999	40009135	3-5C	9	A1281422	40009413	3-14A	2	A1291135
40008816	11-2F	22	A1980999	40009141	3-5A	10	A1281354	40009413	3-14B	2	A1291135
40008816	11-2G	26	A1980999	40009141	3-5B	10	A1281354	40009414	5-2A	8	A1400118
40008817	11-2B	27	A1981000	40009141	3-5C	10	A1281354	40009427	3-6A	36	A1281272
40008817	11-2C	31	A1981000	40009141	3-6A	8	A1281354	40009428	3-5A	12	A1281384
40008817	11-2E	29	A1981000	40009141	3-6B	14	A1281354	40009428	3-5B	12	A1281384
40008817	11-2F	23	A1981000	40009142	3-6B	13	A1281578	40009428	3-5C	12	A1281384
40008817	11-2G	27	A1981000	40009151	3-6B	7	A1281577	40009428	3-6A	10	A1281384
40008827	11-2B	28	A1981038	40009152	3-7B	6	A1285149	40009428	3-6B	16	A1281384
40008828	11-2B	31	A1981039	40009153	3-5A	16	A1281482	40009428	3-9A	6	A1281384
40008832	11-2A	15	A1981073	40009153	3-5B	16	A1281482	40009429	3-13	21	A1290094
40008833	11-2A	25	A1981074	40009153	3-5C	15	A1281482	40009431	3-4A	11	A1280088
40008852	11-2A	24	A1981072	40009156	3-6A	20	A5000053	40009431	3-4B	11	A1280088
40008885	11-2A	28	A1980516	40009156	3-6B	27	A5000053	40009431	3-4C	11	A1280088
40008885	11-2F	28	A1980516	40009169	3-6B	19	A1281579	40009434	4-2	3	A1324074
40008888	11-2B	2	A1980583	40009174	9-9A	33	A1827286	40009435	5-2A	23	A1400119
40008888	11-2C	2	A1980583	40009174	9-9B	38	A1827286	40009436	9-1A	15	2A1821006
40008888	11-2D	2	A1980583	40009174	9-9C	38	A1827286	40009438	3-9A	16	A1287161
40008888	11-2E	2	A1980583	40009196	7-1	16	A1650076	40009439	3-10B	8	A1283192
40008889	11-2A	31	A1980585	40009197	7-1	3	A1650077	40009441	3-13	16	A1290093
40008892	11-2A	4	A1980771	40009222	3-12	17	A1288064	40009442	3-13	11	A1290101
40008893	11-2B	29	A1981075	40009224	3-6A	27	A1281447	40009444	9-1A	8	A1821029
40008893	11-2C	33	A1981075	40009224	3-6B	34	A1281447	40009444	9-1B	8	A1821029
40008893	11-2E	31	A1981075	40009227	3-7A	17	A1285154	40009447	10-1E	44	A1970340
40008893	11-2F	24	A1981075	40009232	3-9A	3	A1287204	40009462	7-1	2	3A1653007
40008893	11-2G	36	A1981075	40009257	3-10C	6	A1287294	40009469	9-13A	4	A1896090
40008899	11-2A	1	A1980430	40009267	3-6A	14	A1281273	40009470	9-13B	4	A1896593
40008900	11-2A	3	A1980564	40009267	3-6B	21	A1281273	40009478	9-11B	4	A1891033
40008939	5-2C	13	A1400291	40009273	5-4	1	A1400120	40009478	9-11C	9	A1891033
40008940	5-2B	13	A1400292	40009276	3-10A	26	A1287295	40009488	6-2A	6	A1630159
40008941	5-5	1	A1480070	40009276	3-10C	13	A1287295	40009488	6-2B	6	A1630159
40008942	5-5	26	A1480071	40009286	3-10A	10	A1287299	40009495	9-7A	3	A1825085
40008959	5-2A	15	A1400164	40009297	3-7A	6	A1285156	40009495	9-7B	3	A1825085
40008965	9-11C	5	A1891057	40009303	3-6A	19	A1281446	40009498	3-13	23	A1291145
40008966	9-11B	6	A1891050	40009303	3-6B	26	A1281446	40009498	3-14A	31	A1291145
40008985	9-1A	7	A1821030	40009309	9-3	11	A1822090	40009498	3-14B	16	A1291145
40008985	9-1B	7	A1821030	40009315	3-14A	10	A1291163	40009510	5-3	10	A1410039
40008990	3-5A	26	A1283221	40009315	3-14B	10	A1291163	40009512	5-2B	1	3A1970055
40008991	3-10A	17	A1287293	40009322	4-1	7	A1320025	40009512	5-2C	1	3A1970055
40008994	4-2	2	A1324091	40009327	5-2B	4	A1402067	40009516	5-2A	9	3A1970069
40008995	5-2B	9	A1400289	40009327	5-2C	4	A1402067	40009516	5-2B	20	3A1970069
40008996	5-2C	9	A1400290	40009340	3-7A	10	A1285141	40009516	5-2C	20	3A1970069
40009002	5-5	12	A1480067	40009340	3-7B	10	A1285141	40009521	4-2	10	A1324090
40009008	5-5	11	A1481038	40009344	3-13	17	A1290116	40009534	9-12	6	A1896473
40009009	3-10B	11	A1287217	40009357	3-12	15	A1288061	40009536	5-2B	25	A1970307
40009011	3-5C	22	A1281478	40009365	3-9B	10	A1287218	40009536	5-2C	25	A1970307
40009019	3-4A	2	A1292144	40009368	3-7B	3	A1285160	40009539	5-1	1	A1400129
40009019	3-4B	2	A1292144	40009374	5-5	2	A1481037	40009540	2-7A	13	A1215028
40009019	3-4C	2	A1292144	40009379	3-6A	33	A1281310	40009540	2-7B	13	A1215028
40009021	5-2B	10	A1400293	40009380	3-6A	23	A1281449	40009545	3-9A	1	A1287179
40009021	5-2C	10	A1400293	40009380	3-6B	30	A1281449	40009545	3-9B	1	A1287179
40009022	3-5B	26	A1283193	40009384	3-5A	14	A1281361	40009546	5-5	4	A1481040
40009027	5-5	18	A1481039	40009384	3-5B	14	A1281361	40009549	10-1A	19	A1830417
40009028	5-2A	3	A1400163	40009384	3-5C	14	A1281361	40009549	10-1B	19	A1830417
40009053	3-6A	25	A1281396	40009384	3-6A	12	A1281361	40009549	10-1D	19	A1830417
40009053	3-6B	32	A1281396	40009384	3-6B	18	A1281361	40009549	10-1C	19	A1830417
40009063	3-7B	17	A1285138	40009384	3-9A	5	A1281361	40009549	10-1E	19	A1830417
40009070	3-9A	7	A1287203	40009388	9-4	1	A1822128	40009554	9-5A	33	A1970325
40009071	3-9B	8	A1287214	40009392	5-2A	5	A1400100	40009554	9-5B	33	A1970325
40009073	3-9A	8	A1287202	40009401	3-12	9	A1288062	40009554	9-5C	4	A1970325
40009096	5-4	11	A1400123	40009405	3-5A	17	A1281426	40009554	9-5D	4	A1970325

Part Number INDEX

CHASSIS (C3030/C3040)

PART NO.	FIG. NO.	Key No	PART NO.	PART NO.	FIG. NO.	Key No	PART NO.	PART NO.	FIG. NO.	Key No	PART NO.
40009554	9-5E	4	A1970325	40009839	3-4B	20	A1280090	40010046	3-5B	6	A1281423
40009554	9-5F	4	A1970325	40009839	3-4C	20	A1280090	40010046	3-5C	6	A1281423
40009590	3-5A	25	A1281496	40009839	3-10A	21	A1280090	40010047	3-9A	4	A1281081
40009590	3-5B	25	A1281496	40009839	3-10B	14	A1280090	40010059	3-9B	12	A1287215
40009590	3-5C	21	A1281496	40009839	3-10C	9	A1280090	40010070	3-6A	17	A1281161
40009599	3-10A	23	A1287298	40009844	3-6A	24	A1281399	40010070	3-6B	24	A1281161
40009604	9-2A	12	A1822031	40009844	3-6B	31	A1281399	40010077	3-5A	24	A1281481
40009604	9-2B	12	A1822031	40009854	3-14A	23	A1291147	40010077	3-5B	24	A1281481
40009605	9-6A	6	A1824032	40009870	4-2	5	A1324117	40010077	3-5C	20	A1281481
40009614	3-1	1	A1281428	40009871	4-2	6	A1324118	40010079	3-8A	42	A1281346
40009617	7-2	14	A1670118	40009872	4-1	13	A1326046	40010082	3-7A	8	A1281303
40009618	7-3B	19	A1670282	40009874	7-2	10	A1970203	40010082	3-7B	8	A1281303
40009626	3-10A	24	3A1970052	40009876	2-7A	18	A1970350	40010083	3-5A	7	A1281424
40009626	5-2A	1	3A1970052	40009876	2-7B	18	A1970350	40010083	3-5B	7	A1281424
40009626	5-2B	6	3A1970052	40009888	4-2	9	3A1324014	40010083	3-5C	7	A1281424
40009626	5-2C	6	3A1970052	40009898	2-7A	10	A1830248	40010094	3-12	12	A1288043
40009633	3-13	19	A1290106	40009898	2-7B	10	A1830248	40010102	5-4	9	A1400127
40009639	3-14A	9	A1291170	40009901	3-14A	38	A1291177	40010113	3-6A	7	A1281298
40009645	5-2A	24	3A1970051	40009901	3-14B	19	A1291177	40010116	3-7A	28	A1326068
40009651	9-1A	16	3A1821007	40009906	5-4	16	A1402047	40010116	3-7B	28	A1326068
40009659	3-13	25	A1290117	40009907	9-5E	21	A1823144	40010122	3-7B	19	A1285139
40009663	9-8	6	A1826033	40009907	9-5F	21	A1823144	40010123	3-7A	19	A1285155
40009666	9-7A	4	A1825064	40009907	9-15	18	A1823144	40010125	4-1	2	3A1326005
40009688	3-6B	5	A1281507	40009919	9-9A	13	A1823157	40010126	5-2A	7	3A1970006
40009693	3-7A	29	A1326069	40009919	9-9B	15	A1823157	40010153	9-5C	23	A1823189
40009693	3-7B	29	A1326069	40009919	9-9C	15	A1823157	40010153	9-5D	23	A1823189
40009698	5-2A	21	3A1411004	40009921	5-2B	21	3A1970057	40010153	9-5E	23	A1823189
40009699	3-5A	30	3A1970157	40009921	5-2C	21	3A1970057	40010153	9-5F	23	A1823189
40009699	3-5B	30	3A1970157	40009922	5-2A	11	3A1970050	40010164	3-4A	21	A1280115
40009699	3-5C	29	3A1970157	40009928	6-2A	10	A1630160	40010164	3-4B	21	A1280115
40009699	3-6A	26	3A1970157	40009928	6-2B	10	A1630160	40010164	3-4C	21	A1280115
40009699	3-6B	33	3A1970157	40009928	9-13C	10	A1630160	40010166	3-13	18	A1290108
40009699	3-7A	9	3A1970157	40009934	3-6A	3	A1281034	40010171	3-14A	27	A1291142
40009699	3-7B	9	3A1970157	40009934	3-6B	3	A1281034	40010172	3-14A	33	A1291148
40009702	3-6A	5	A1281324	40009934	5-4	15	A1281034	40010179	4-1	3	A1326048
40009702	3-6B	11	A1281324	40009935	5-2A	22	3A1970065	40010187	6-3	8	A1630232
40009704	3-6A	13	A1281323	40009936	3-6A	43	A1287079	40010189	3-14A	14	A1293121
40009704	3-6B	20	A1281323	40009936	3-7A	13	A1287079	40010190	3-1	10	A1250047
40009705	3-6A	29	A1281319	40009936	3-7B	13	A1287079	40010203	3-13	15	A1290104
40009705	3-6B	36	A1281319	40009938	5-5	9	A1481041	40010205	4-2	4	A1324075
40009705	3-7A	12	A1281319	40009940	3-4A	24	A1280116	40010207	9-12	17	3A1896013
40009705	3-7B	12	A1281319	40009940	3-4B	24	A1280116	40010214	3-12	6	A1288028
40009716	5-4	8	3A1970034	40009940	3-4C	24	A1280116	40010230	3-6A	6	A1281297
40009718	9-1A	11	3A1821005	40009946	3-5A	13	3A1281020	40010230	3-6B	12	A1281297
40009718	9-1B	11	3A1821005	40009946	3-5B	13	3A1281020	40010233	3-9A	9	A1281192
40009729	7-1	7	A1650078	40009946	3-5C	13	3A1281020	40010233	3-9B	3	A1281192
40009733	3-10A	15	A1287205	40009946	3-6A	11	3A1281020	40010238	3-6A	40	A1281322
40009733	3-10C	4	A1287205	40009946	3-6B	17	3A1281020	40010240	3-6A	38	A1281321
40009740	4-2	7	A1324116	40009959	3-7A	18	A1285151	40010245	3-7A	11	A1288063
40009746	3-1	8	A1250112	40009959	3-7B	18	A1285151	40010245	3-7B	11	A1288063
40009771	3-6A	39	A1281300	40009964	5-2B	15	A1400286	40010251	9-9B	9	A1827152
40009785	4-1	5	A1326051	40009964	5-2C	15	A1400286	40010251	9-9C	9	A1827152
40009789	4-1	16	A1326052	40009972	3-14A	25	A1291146	40010252	9-5B	34	A1827157
40009792	3-4A	13	A1250049	40009975	9-8	15	A1826130	40010252	9-5C	30	A1827157
40009792	3-4B	13	A1250049	40009975	9-9A	31	A1826130	40010252	9-5D	30	A1827157
40009792	3-4C	13	A1250049	40009975	9-9B	28	A1826130	40010252	9-5E	31	A1827157
40009792	9-1A	3	A1250049	40009975	9-9C	28	A1826130	40010252	9-5F	31	A1827157
40009792	9-1B	3	A1250049	40009978	6-4A	11	A1630144	40010257	3-5A	1	A1280101
40009799	3-6B	6	A1281576	40009978	6-4B	11	A1630144	40010257	3-5B	1	A1280101
40009800	3-6A	34	A1281299	40009978	6-4C	11	A1630144	40010257	3-5C	1	A1280101
40009810	4-2	8	3A1324007	40009997	5-3	3	3A1415004	40010261	3-13	10	A1290098
40009813	9-4	4	A5001244	40009998	9-10B	15	3A1828025	40010262	3-13	7	A1290100
40009819	9-9A	10	A1827151	40010006	9-8	7	3A1970002	40010270	3-14A	11	A1291149
40009819	9-9B	12	A1827151	40010027	3-12	18	A1288065	40010270	3-14B	11	A1291149
40009819	9-9C	12	A1827151	40010044	3-10A	2	A1287290	40010275	9-15	17	A1823092
40009839	3-4A	20	A1280090	40010046	3-5A	6	A1281423	40010278	3-13	30	A1290103



# Part Number INDEX

## CHASSIS (C3030/C3040)

PART NO.	FIG. NO.	Key No	PART NO.	PART NO.	FIG. NO.	Key No	PART NO.	PART NO.	FIG. NO.	Key No	PART NO.
40010283	3-13	20	A1290115	40010816	10-1B	30	A1830773	40011201	2-6B	4	A1190115
40010284	3-13	26	A1290111	40010820	10-2B	9	A1840349	40011214	9-5A	16	A1823264
40010287	3-13	6	A1290102	40010821	10-2B	10	A1840350	40011214	9-5B	16	A1823264
40010297	3-6A	37	A1281320	40010822	10-2B	8	A1840351	40011214	9-5D	17	A1823264
40010298	3-10B	2	A1283191	40010823	10-2B	17	A1840352	40011214	9-5E	17	A1823264
40010299	3-10A	5	A1287289	40010824	10-2B	18	A1840353	40011218	6-3	1	A1630283
40010310	3-13	24	A1290097	40010827	10-14B	1	A1870495	40011225	10-2A	1	A1840067
40010313	3-14A	1	A1291144	40010882	2-4	1	A1151141	40011225	10-2B	1	A1840067
40010313	3-14B	1	A1291144	40010910	10-1A	38	A1830242	40011225	10-2C	1	A1840067
40010318	9-12	13	3A1896006	40010910	10-1B	38	A1830242	40011225	10-2D	1	A1840067
40010319	9-12	16	3A1896007	40010910	10-1D	36	A1830242	40011234	2-5	5	A1170126
40010320	9-8	5	3A1826003	40010910	10-1C	38	A1830242	40011237	9-5C	32	A1823181
40010321	9-5A	22	A1630201	40010914	2-7A	1	A1210121	40011237	9-5D	32	A1823181
40010321	9-5B	22	A1630201	40010919	2-7B	1	A1210098	40011237	9-5E	33	A1823181
40010321	9-5C	31	A1630201	40010929	10-1A	1	A1830306	40011237	9-5F	33	A1823181
40010321	9-5D	31	A1630201	40010929	10-1B	1	A1830306	40011244	3-2	1	A1260066
40010321	9-5E	32	A1630201	40010929	10-1D	1	A1830306	40011247	10-15A	2	A1870239
40010321	9-5F	32	A1630201	40010929	10-1C	1	A1830306	40011248	10-15A	1	A1870240
40010321	9-9A	8	A1630201	40010929	10-1E	1	A1830306	40011258	4-1	11	A1326049
40010321	9-9B	10	A1630201	40010972	2-4	3	A1151103	40011265	10-2A	2	A1840068
40010321	9-9C	10	A1630201	40010976	10-15D	3	A1880072	40011265	10-2B	2	A1840068
40010327	9-12	3	A1896187	40010977	10-14E	21	A1920052	40011265	10-2C	2	A1840068
40010331	3-14B	9	A1291143	40010999	7-3B	2	A1670283	40011265	10-2D	2	A1840068
40010334	5-2A	18	3A1400010	40011006	6-4A	10	A1630470	40011270	7-2	3	A1670150
40010335	3-14A	24	A1290096	40011007	6-4A	9	A1630471	40011287	8-3B	17	A1750267
40010337	3-1	9	A1250045	40011009	6-4B	8	A1630588	40011288	8-3A	17	A1750268
40010338	3-6A	28	A1281046	40011009	6-4C	8	A1630588	40011288	8-3C	17	A1750268
40010338	3-6B	35	A1281046	40011014	9-5E	20	A1823467	40011290	7-1	4	A1650107
40010339	3-13	13	A20063390	40011014	9-5F	20	A1823467	40011303	9-11C	6	A1891055
40010339	3-14A	28	A20063390	40011050	9-7A	20	A1825159	40011307	10-15D	10	A1870357
40010339	3-14B	13	A20063390	40011050	9-7B	22	A1825159	40011308	10-15D	11	A1870358
40010340	9-8	23	A20063480	40011054	9-11B	1	A1891049	40011313	2-3	1	A1100052
40010340	9-9A	29	A20063480	40011054	9-11C	1	A1891049	40011349	7-1	13	A1670284
40010340	9-9B	36	A20063480	40011065	9-5C	17	A1823579	40011350	7-1	14	A1670285
40010340	9-9C	36	A20063480	40011065	9-5F	17	A1823579	40011353	7-3B	7	A1670328
40010341	4-1	15	A26799980	40011069	7-2	1	A1670327	40011376	9-5E	22	A1823491
40010341	5-4	22	A26799980	40011077	2-4	2	A1151140	40011376	9-5F	22	A1823491
40010387	9-1A	4	A1820032	40011083	6-4A	12	A1630497	40011393	9-10B	1	A1828034
40010387	9-1B	4	A1820032	40011083	6-4B	12	A1630497	40011395	10-1E	40	A1830421
40010388	6-1	4	A1610023	40011083	6-4C	12	A1630497	40011411	10-15C	3	A1880100
40010390	6-2A	19	A1630320	40011091	9-9A	15	A1827279	40011414	10-16B	8	A1880126
40010390	6-2B	19	A1630320	40011091	9-9B	17	A1827279	40011415	10-16B	9	A1880127
40010391	6-2A	11	A1630321	40011091	9-9C	17	A1827279	40011420	9-13B	12	A1896529
40010391	6-2B	11	A1630321	40011092	9-9B	19	A1827280	40011421	9-13C	24	A1896554
40010392	6-2A	14	A1630322	40011092	9-9C	19	A1827280	40011424	9-14	3	A1896589
40010392	6-2B	14	A1630322	40011093	9-9B	18	A1827281	40011425	9-14	4	A1896597
40010693	10-1D	39	A1830601	40011093	9-9C	18	A1827281	40011436	3-14A	21	A1291165
40010700	10-1D	29	A1830594	40011094	9-9B	20	A1827282	40011464	10-15B	2	A1870304
40010701	10-1D	30	A1830595	40011094	9-9C	20	A1827282	40011465	10-15B	1	A1870305
40010707	10-1D	24	A1830605	40011095	9-9A	16	A1827284	40011476	7-3B	5	A1670286
40010711	10-2D	9	A1840261	40011097	6-4A	8	A1630565	40011477	7-3B	15	A1670287
40010712	10-2D	10	A1840262	40011097	6-4C	8	A1630565	40011478	9-7B	14	A1825060
40010713	10-2D	8	A1840263	40011100	9-5E	24	A1823493	40011479	9-7A	10	A1825145
40010714	10-2D	17	A1840264	40011100	9-5F	24	A1823493	40011479	9-7B	15	A1825145
40010715	10-2D	18	A1840265	40011117	5-6	6	A1490023	40011480	9-7B	5	A1825059
40010723	10-14D	9	A1870416	40011123	10-1E	38	A1830407	40011499	10-15D	9	A1880074
40010724	10-14D	10	A1870419	40011132	9-11A	1	A1891043	40011511	7-3B	13	A1670278
40010725	10-14D	1	A1870421	40011143	2-5	8	A1170129	40011513	9-14	11	A1896539
40010732	10-1E	37	A1830524	40011144	10-15D	1	A1880076	40011553	9-5C	24	A1823257
40010785	10-14A	9	A1870378	40011145	10-15D	2	A1880077	40011553	9-5D	24	A1823257
40010786	10-14A	10	A1870379	40011153	7-2	5	A1670253	40011561	9-5A	10	A1823534
40010787	10-14A	7	A1870382	40011192	6-4B	9	A1630242	40011561	9-5B	10	A1823534
40010799	10-14E	1	A1870426	40011192	6-4C	9	A1630242	40011561	9-5C	11	A1823534
40010811	10-1B	39	A1830774	40011193	6-4B	10	A1630243	40011561	9-5D	11	A1823534
40010812	10-1B	24	A1830767	40011193	6-4C	10	A1630243	40011561	9-5E	11	A1823534
40010815	10-1B	29	A1830772	40011201	2-6A	4	A1190115	40011561	9-5F	11	A1823534

# Part Number INDEX

## CHASSIS (C3030/C3040)

PART NO.	FIG. NO.	Key No	PART NO.	PART NO.	FIG. NO.	Key No	PART NO.	PART NO.	FIG. NO.	Key No	PART NO.
40011576	9-10B	11	A1828030	40011754	2-7B	8	A1830229	40011979	9-11B	5	3A1970091
40011582	10-1E	39	A1830408	40011755	10-1A	7	A1830260	40011979	9-11C	10	3A1970091
40011590	10-16A	5	A1880013	40011755	10-1B	7	A1830260	40011979	9-12	12	3A1970091
40011590	10-16B	6	A1880013	40011755	10-1D	7	A1830260	40011979	9-13A	2	3A1970091
40011591	10-16A	2	A1880015	40011755	10-1C	7	A1830260	40011979	9-13B	2	3A1970091
40011592	10-16A	3	A1880016	40011755	10-1E	7	A1830260	40011981	4-1	9	A1326047
40011596	9-14	5	A1896536	40011757	10-2A	3	A1840069	40011993	10-15D	17	A1880085
40011598	9-7A	10	A1825061	40011757	10-2B	3	A1840069	40012000	5-2A	17	3A1970100
40011598	9-7B	15	A1825061	40011757	10-2C	3	A1840069	40012001	5-2A	17	3A1970101
40011620	3-14A	15	A1293120	40011757	10-2D	3	A1840069	40012003	9-13A	8	A1896095
40011629	10-1A	31	A1830292	40011764	9-9A	5	A1827144	40012010	9-5A	32	A1970201D
40011629	10-1B	31	A1830292	40011764	9-9B	6	A1827144	40012010	9-5B	32	A1970201D
40011629	10-1D	31	A1830292	40011764	9-9C	6	A1827144	40012010	9-5C	26	A1970201D
40011629	10-1C	31	A1830292	40011765	9-9B	5	A1827145	40012010	9-5D	26	A1970201D
40011629	10-1E	31	A1830292	40011765	9-9C	5	A1827145	40012010	9-5E	39	A1970201D
40011633	10-2A	4	A1840081	40011770	9-9B	13	A1827154	40012010	9-5F	39	A1970201D
40011633	10-2B	4	A1840081	40011770	9-9C	13	A1827154	40012012	2-5	15	A1970201F
40011633	10-2C	4	A1840081	40011771	5-6	7	A1490024	40012013	2-5	10	A1970201G
40011633	10-2D	4	A1840081	40011775	3-14A	8	A1292127	40012013	9-5A	11	A1970201G
40011640	10-14A	21	A1920032	40011775	3-14B	8	A1292127	40012013	9-5B	11	A1970201G
40011641	10-14A	20	A1920037	40011786	9-10A	1	A1828032	40012013	9-5C	12	A1970201G
40011641	10-14B	21	A1920037	40011789	6-3	7	A1630231	40012013	9-5D	12	A1970201G
40011648	9-7A	9	A1825058	40011791	2-2	1	A1100057	40012013	9-5E	12	A1970201G
40011648	9-7B	9	A1825058	40011798	4-2	12	3A1324012	40012013	9-5F	12	A1970201G
40011663	9-2A	4	2A1822012	40011807	5-5	10	A1481042	40012014	2-6A	6	A1970201H
40011663	9-2B	4	2A1822012	40011811	9-12	8	A1896519	40012014	2-6B	5	A1970201H
40011664	9-9A	11	A1827195	40011812	3-4A	26	A1280184	40012016	2-6A	5	A1970201J
40011669	6-4C	9	A1630615	40011812	3-4B	26	A1280184	40012017	2-6B	2	A1970201K
40011672	9-5A	21	A1823259	40011812	3-4C	26	A1280184	40012020	2-1A	14	A1970380
40011680	9-8	1	A1826032	40011827	4-1	1	A1326050	40012020	2-1B	14	A1970380
40011685	10-15C	1	A1880098	40011828	5-3	9	A1410041	40012020	2-1C	15	A1970380
40011686	10-15C	2	A1880099	40011831	9-5A	25	3A1823032	40012024	9-8	26	3A1826001
40011687	10-15C	4	A1880101	40011831	9-5B	25	3A1823032	40012072	9-10B	4	3A1828014
40011692	9-5E	27	A1822158	40011831	9-5C	36	3A1823032	40012093	9-8	12	A1826036
40011692	9-5F	27	A1822158	40011831	9-5D	36	3A1823032	40012098	3-10A	8	A1281229
40011693	9-9A	1	A1827143	40011831	9-5E	37	3A1823032	40012098	3-10B	7	A1281229
40011693	9-9B	1	A1827143	40011831	9-5F	37	3A1823032	40012107	2-7A	14	3A0010847
40011693	9-9C	1	A1827143	40011840	8-2	1	A1740003	40012107	2-7B	14	3A0010847
40011694	9-14	1	A1896321	40011846	8-4C	15	A1760052	40012109	10-2B	14	A1840073
40011695	9-14	2	A1896322	40011847	8-4C	17	A1760064	40012109	10-2C	14	A1840073
40011710	10-2B	22	A1840072	40011870	9-1A	9	A1826094	40012109	10-2D	14	A1840073
40011710	10-2C	22	A1840072	40011870	9-1B	9	A1826094	40012113	2-6A	12	A1190189
40011710	10-2D	22	A1840072	40011879	3-4A	28	A1287297	40012123	5-4	19	3A1970112
40011715	10-4A	1	A1850078	40011896	2-3	3	A1100076	40012124	5-4	19	3A1970113
40011715	10-4B	1	A1850078	40011927	9-10B	8	A1828057	40012125	5-4	19	3A1970115
40011715	10-4C	1	A1850078	40011929	10-15D	19	A1880096	40012128	4-2	17	3A1324003
40011720	10-14A	5	A1870374	40011934	9-2A	10	A1822086	40012134	9-8	4	A1826048
40011720	10-14B	5	A1870374	40011934	9-2B	10	A1822086	40012135	3-6A	21	A1281398
40011720	10-14C	5	A1870374	40011935	9-6B	15	A1824035	40012135	3-6B	28	A1281398
40011720	10-14D	5	A1870374	40011936	2-2	9	3A1100008	40012138	3-2	5	A1260073
40011720	10-14E	5	A1870374	40011941	8-4C	21	A1760003	40012138	7-2	11	A1260073
40011723	3-4A	12	A1280092	40011942	3-13	4	A1292129	40012140	9-5A	18	A1823290
40011733	2-6A	3	A1190113	40011943	3-10A	18	3A1290011	40012140	9-5B	18	A1823290
40011737	9-5A	24	A1823182	40011943	3-13	14	3A1290011	40012140	9-5C	19	A1823290
40011737	9-5B	24	A1823182	40011943	3-14A	29	3A1290011	40012140	9-5D	19	A1823290
40011737	9-5C	28	A1823182	40011943	3-14B	14	3A1290011	40012140	9-5E	19	A1823290
40011737	9-5D	28	A1823182	40011950	7-3B	16	A1670289	40012140	9-5F	19	A1823290
40011737	9-5E	29	A1823182	40011954	9-7A	1	A1825033	40012146	9-6A	4	A1824026
40011737	9-5F	29	A1823182	40011954	9-7B	1	A1825033	40012147	9-6A	10	A1824028
40011738	9-5A	19	A1823178	40011957	7-1	11	3A1653010	40012148	9-6A	1	A1824031
40011738	9-5B	19	A1823178	40011961	3-2	3	A1260118	40012195	10-16A	12	A1880012
40011738	9-5C	20	A1823178	40011962	7-2	8	A1670288	40012197	10-16B	12	A1880056
40011738	9-5D	20	A1823178	40011966	9-11C	11	A1891058	40012198	9-13A	9	A1896094
40011739	9-5B	21	A1823180	40011968	2-7A	17	A1215031	40012200	9-13B	6	A1896524
40011742	9-12	15	2A1896003	40011968	2-7B	17	A1215031	40012200	9-13B	11	A1896524
40011754	2-7A	8	A1830229	40011979	9-11A	3	3A1970091	40012201	9-13B	10	A1896525

Part Number INDEX

CHASSIS (C3030/C3040)

PART NO.	FIG. NO.	Key No	PART NO.	PART NO.	FIG. NO.	Key No	PART NO.	PART NO.	FIG. NO.	Key No	PART NO.
40012202	9-13B	7	A1896527	40012356	9-9B	37	A1826058	40012511	3-14A	18	A1293097
40012209	9-5C	38	A1823260	40012356	9-9C	37	A1826058	40012518	9-10B	6	3A1828021
40012209	9-5D	38	A1823260	40012364	9-13A	1	A1896530	40012522	11-2B	19	A1980955
40012211	9-9B	25	A1827196	40012364	9-13B	1	A1896530	40012522	11-2C	23	A1980955
40012211	9-9C	25	A1827196	40012370	9-11A	2	A1891044	40012525	11-2E	14	A1980896
40012213	10-1A	5	A7200107	40012373	9-12	10	A1896336	40012525	11-2G	10	A1980896
40012213	10-1B	5	A7200107	40012375	9-7A	12	A1825086	40012529	9-12	11	A1896189
40012213	10-1D	5	A7200107	40012375	9-7B	11	A1825086	40012530	7-3A	2	A1670154
40012213	10-1C	5	A7200107	40012381	7-3B	9	A1670280	40012534	6-1	3	A1610034
40012213	10-1E	5	A7200107	40012403	7-3B	10	A1670281	40012535	8-2	2	A1741021
40012217	3-4B	14	A1250123	40012410	9-12	2	3A1896081	40012536	3-5A	11	3A1281021
40012217	3-4C	14	A1250123	40012410	9-14	7	3A1896081	40012536	3-5B	11	3A1281021
40012248	3-12	2	A1380017	40012411	9-9A	12	A1827150	40012536	3-5C	11	3A1281021
40012254	10-1A	41	A1830231	40012411	9-9B	14	A1827150	40012536	3-6A	9	3A1281021
40012254	10-1B	41	A1830231	40012411	9-9C	14	A1827150	40012536	3-6B	15	3A1281021
40012254	10-1D	41	A1830231	40012413	9-5C	22	A1823256	40012538	11-2B	18	A1980943
40012254	10-1C	41	A1830231	40012413	9-5D	22	A1823256	40012538	11-2C	22	A1980943
40012255	9-12	7	A1830277	40012414	6-3	11	A1630282	40012538	11-2D	10	A1980943
40012256	10-1A	12	A1830284	40012415	9-5A	17	A1823245	40012538	11-2E	21	A1980943
40012256	10-1B	12	A1830284	40012415	9-5A	23	A1823245	40012538	11-2F	15	A1980943
40012256	10-1D	12	A1830284	40012415	9-5B	17	A1823245	40012538	11-2G	11	A1980943
40012256	10-1C	12	A1830284	40012415	9-5B	23	A1823245	40012541	9-12	14	3A1970092
40012256	10-1E	12	A1830284	40012415	9-5C	18	A1823245	40012542	9-6A	3	3A1824003
40012257	10-1A	46	A1830285	40012415	9-5D	18	A1823245	40012543	9-10B	3	3A1828010
40012257	10-1B	46	A1830285	40012415	9-5E	18	A1823245	40012551	6-4C	10	A1630616
40012257	10-1D	46	A1830285	40012415	9-5F	18	A1823245	40012552	9-9A	14	A1823158
40012257	10-1C	46	A1830285	40012415	9-9A	9	A1823245	40012552	9-9B	16	A1823158
40012257	10-1E	48	A1830285	40012415	9-9B	11	A1823245	40012552	9-9C	16	A1823158
40012258	10-1A	10	A1830307	40012415	9-9C	11	A1823245	40012554	6-2A	4	A1630135
40012258	10-1B	10	A1830307	40012418	9-5A	30	A1823457	40012554	6-2B	4	A1630135
40012258	10-1D	10	A1830307	40012418	9-5B	30	A1823457	40012558	9-6B	13	A1824019
40012258	10-1C	10	A1830307	40012418	9-5C	39	A1823457	40012570	3-2	7	A1260105
40012258	10-1E	10	A1830307	40012418	9-5D	39	A1823457	40012574	3-14A	4	A1291140
40012262	10-2B	23	A1840082	40012418	9-5E	41	A1823457	40012574	3-14B	4	A1291140
40012262	10-2C	23	A1840082	40012418	9-5F	41	A1823457	40012581	3-14A	22	A1293123
40012262	10-2D	23	A1840082	40012421	3-4A	9	A10263360	40012582	3-14A	6	A1293124
40012263	10-2B	16	A1840084	40012421	3-4B	9	A10263360	40012582	3-14B	6	A1293124
40012263	10-2C	16	A1840084	40012421	3-4C	9	A10263360	40012585	10-2B	15	A1840083
40012263	10-2D	16	A1840084	40012421	3-13	29	A10263360	40012585	10-2C	15	A1840083
40012273	10-14A	15	A1870375	40012421	5-5	19	A10263360	40012585	10-2D	15	A1840083
40012273	10-14B	16	A1870375	40012423	4-2	15	3A1970123	40012594	9-5A	26	A1823121
40012273	10-14C	16	A1870375	40012423	5-3	5	3A1970123	40012594	9-5B	26	A1823121
40012273	10-14D	16	A1870375	40012426	4-2	16	3A1970122	40012594	9-5C	35	A1823121
40012273	10-14E	16	A1870375	40012426	5-3	6	3A1970122	40012594	9-5D	35	A1823121
40012278	10-1A	20	A1970279	40012427	5-3	12	3A1970119	40012594	9-5E	36	A1823121
40012278	10-1B	20	A1970279	40012427	5-4	13	3A1970119	40012594	9-5F	36	A1823121
40012278	10-1D	20	A1970279	40012428	5-3	12	3A1970120	40012596	2-2	7	A1100059
40012278	10-1C	20	A1970279	40012428	5-4	13	3A1970120	40012597	7-3A	1	A1670156
40012278	10-1E	20	A1970279	40012429	5-3	12	3A1970121	40012618	7-1	8	A1650079
40012282	3-13	12	3A1290009	40012447	10-15C	5	A1880102	40012619	11-2C	13	A1980837
40012283	2-2	10	A1100107	40012448	9-13A	3	A1896087	40012619	11-2E	34	A1980837
40012290	4-2	13	A1324079	40012448	9-13B	3	A1896087	40012619	11-2G	8	A1980837
40012294	8-4C	12	A1760058	40012449	9-13A	11	A1896088	40012620	11-2A	27	A1980942
40012314	9-7A	13	A1825034	40012450	9-13A	12	A1896089	40012622	4-1	4	A1650074
40012314	9-7B	12	A1825034	40012451	9-13A	7	A1896092	40012624	3-4A	10	3A1250013
40012315	9-7A	8	A1825053	40012452	9-13A	10	A1896093	40012624	3-4B	10	3A1250013
40012315	9-7B	8	A1825053	40012453	9-13B	8	A1896526	40012624	3-4C	10	3A1250013
40012325	7-1	11	A1650080	40012467	3-14A	12	A1291164	40012631	9-12	4	A1896188
40012338	9-10B	7	3A1828022	40012467	3-14B	12	A1291164	40012634	3-13	2	A1292126
40012348	9-2A	11	3A1822010	40012484	3-12	4	A1380016	40012635	10-1A	6	A1830258
40012348	9-2B	11	3A1822010	40012502	5-2B	26	A1402048	40012635	10-1B	6	A1830258
40012351	10-15D	4	A1880073	40012502	5-2C	26	A1402048	40012635	10-1D	6	A1830258
40012352	10-15D	18	A1880086	40012504	9-9B	21	A1827167	40012635	10-1C	6	A1830258
40012354	2-2	11	A1100087	40012504	9-9C	21	A1827167	40012635	10-1E	6	A1830258
40012356	9-8	24	A1826058	40012505	9-14	8	A1896333	40012637	7-3A	3	A1670153
40012356	9-9A	30	A1826058	40012508	2-5	17	A1170099	40012654	8-3B	5	A1750290

# Part Number INDEX

## CHASSIS (C3030/C3040)

PART NO.	FIG. NO.	Key No	PART NO.	PART NO.	FIG. NO.	Key No	PART NO.	PART NO.	FIG. NO.	Key No	PART NO.
40012654	8-3C	5	A1750290	40012731	10-1B	4	A0690218	40012882	10-1C	2	A0720034
40012655	8-3A	5	A1750120	40012731	10-1D	4	A0690218	40012882	10-1E	2	A0720034
40012658	6-2A	17	A1630323	40012731	10-1C	4	A0690218	40012884	3-12	13	A0651253
40012658	6-2B	17	A1630323	40012731	10-1E	4	A0690218	40012886	8-3A	12	A0751005
40012659	6-2A	18	A1630324	40012735	8-1A	7	A0640015	40012886	8-3B	12	A0751005
40012659	6-2B	18	A1630324	40012735	8-1B	7	A0640015	40012886	8-3C	12	A0751005
40012667	5-2B	26	A1402049	40012735	8-1C	7	A0640015	40012887	8-3A	18	A0740010
40012667	5-2C	26	A1402049	40012735	8-1D	7	A0640015	40012889	8-3A	13	A0751006
40012668	5-2B	26	A1402050	40012737	8-1A	8	A0640028	40012889	8-3B	13	A0751006
40012668	5-2C	26	A1402050	40012737	8-1B	8	A0640028	40012889	8-3C	13	A0751006
40012689	3-5A	18	A0651201	40012737	8-1C	8	A0640028	40012889	8-3A	14	A0751007
40012689	3-5B	18	A0651201	40012737	8-1D	8	A0640028	40012890	8-3B	14	A0751007
40012692	3-5A	3	A0651302	40012744	8-1D	9	A0640007	40012890	8-3C	14	A0751007
40012692	3-5B	3	A0651302	40012761	8-4A	1	A0610083	40012891	8-1A	9	A0640009
40012692	3-5C	3	A0651302	40012761	8-4B	1	A0610083	40012891	8-1B	9	A0640009
40012696	3-6A	22	A0860040	40012761	8-4C	1	A0610083	40012891	8-1C	9	A0640009
40012698	3-6B	29	A0860040	40012766	2-6A	8	A0690127	40012897	3-4A	17	A0610281
40012698	3-10A	6	A0860040	40012766	2-6B	8	A0690127	40012897	3-4B	17	A0610281
40012696	3-10B	16	A0860040	40012781	3-4A	23	Q0650006	40012897	3-4C	17	A0610281
40012697	3-10B	6	A0860050	40012781	3-4B	23	Q0650006	40012897	5-5	20	A0610281
40012698	3-7A	4	A0860080	40012781	3-4C	23	Q0650006	40012916	3-6A	15	A0660070
40012698	3-7B	4	A0860080	40012790	3-6A	18	A0610282	40012916	3-6B	22	A0660070
40012703	3-12	14	A0862050	40012790	3-6B	25	A0610282	40012919	7-1	9	A0677815
40012705	3-12	19	A0862052	40012792	8-13B	9	A0730009	40012923	3-10A	11	A0860051
40012706	3-5A	5	A0862060	40012815	3-13	9	A0660026	40012930	5-5	8	A0863090
40012706	3-5B	5	A0862060	40012823	3-5C	28	A0870488	40012931	5-5	15	A0863130
40012706	3-5C	5	A0862060	40012823	3-6B	37	A0870488	40012936	5-2B	18	A0678120
40012706	3-6A	4	A0862060	40012824	3-9A	14	A0653232	40012936	5-2C	18	A0678120
40012706	3-6B	8	A0862060	40012824	3-9B	9	A0653232	40012946	3-7A	23	A0870451
40012706	3-6B	10	A0862060	40012825	3-7A	24	A0870452	40012946	3-7B	23	A0870451
40012709	3-7A	2	A0862070	40012825	3-7B	24	A0870452	40012948	3-5A	29	A0870485
40012709	3-7B	2	A0862070	40012826	3-7A	25	A0870455	40012948	3-5B	29	A0870485
40012709	3-9A	11	A0862070	40012826	3-7B	25	A0870455	40012948	3-5C	27	A0870485
40012709	3-9B	5	A0862070	40012827	3-7A	26	A0870458	40012948	3-6A	32	A0870485
40012713	4-1	6	A0862100	40012827	3-7B	26	A0870458	40012948	3-6B	40	A0870485
40012713	5-3	8	A0862100	40012828	3-5A	34	A0870461	40012972	7-3B	4	A0672210
40012713	5-4	12	A0862100	40012828	3-5B	34	A0870461	40013013	7-3B	1	A1670078
40012715	3-6B	4	A0863050	40012828	3-5C	31	A0870461	40013036	5-2A	14	3A1400004
40012715	3-7A	16	A0863050	40012829	3-5A	34	A0870462	40013040	3-5C	23	A1288044
40012715	3-7B	16	A0863050	40012829	3-5B	34	A0870462	40013040	3-10A	27	A1288044
40012715	3-10A	14	A0863050	40012829	3-5C	31	A0870462	40013040	3-10C	12	A1288044
40012715	3-10B	10	A0863050	40012834	3-5A	27	A0870481	40013046	7-2	9	A1670146
40012715	3-10C	2	A0863050	40012834	3-5B	27	A0870481	40013074	4-2	1	A1324105
40012718	3-9A	2	A0863060	40012834	3-5C	25	A0870481	40027824	10-16A	9	A1877077
40012718	3-9B	2	A0863060	40012834	3-6A	30	A0870481	40027824	10-16B	5	A1877077
40012718	3-10A	19	A0863060	40012834	3-6B	38	A0870481	40027836	2-1A	12	A1877079
40012718	3-10B	12	A0863060	40012835	3-5A	28	A0870482	40027836	2-1B	12	A1877079
40012718	3-10C	7	A0863060	40012835	3-5B	28	A0870482	40027836	2-1C	12	A1877079
40012720	5-4	2	A0863070	40012835	3-5C	26	A0870482	40027836	10-16A	7	A1877079
40012720	5-5	7	A0863070	40012835	3-6A	31	A0870482	40027836	10-16B	1	A1877079
40012721	5-4	17	A0863080	40012835	3-6B	39	A0870482	40027837	5-6	8	A1970077
40012721	5-5	5	A0863080	40012845	9-4	5	A0610168	40027838	8-4C	23	A1970309
40012722	3-5A	19	A0868040	40012856	5-2B	17	A0652582	40027838	10-1E	42	A1970309
40012722	3-5B	19	A0868040	40012856	5-2C	17	A0652582	40027840	5-3	2	1A1414001
40012723	3-5A	32	A0868041	40012869	5-4	3	A0870108	40027847	10-16A	6	A1877075
40012723	3-5B	32	A0868041	40012870	5-4	3	A0870109	40027847	10-16B	2	A1877075
40012725	3-5A	21	A0869080	40012871	5-4	3	A0870110	40027955	5-2C	28	S101125543
40012725	3-5B	21	A0869080	40012874	3-4A	27	A05171520	40028157	7-3B	11	S363080013
40012725	3-5C	17	A0869080	40012874	3-4B	27	A05171520	40028157	10-1A	13	S363080013
40012725	3-6A	41	A0869080	40012874	3-4C	27	A05171520	40028157	10-1B	13	S363080013
40012729	10-1A	37	A0760137	40012880	2-3	2	A0710037	40028157	10-1D	13	S363080013
40012729	10-1B	37	A0760137	40012880	2-7A	9	A0710037	40028157	10-1C	13	S363080013
40012729	10-1D	37	A0760137	40012880	2-7B	9	A0710037	40028157	10-1E	13	S363080013
40012729	10-1C	37	A0760137	40012882	10-1A	2	A0720034	40028158	3-14A	19	S363100013
40012729	10-1E	43	A0760137	40012882	10-1B	2	A0720034	40028160	10-15C	9	S363140013
40012731	10-1A	4	A0690218	40012882	10-1D	2	A0720034	40028163	3-14A	34	S363200013

Part Number INDEX

CHASSIS (C3030/C3040)

PART NO.	FIG. NO.	Key No	PART NO.	PART NO.	FIG. NO.	Key No	PART NO.	PART NO.	FIG. NO.	Key No	PART NO.
40028168	8-4C	22	S364060013	40028873	9-1A	1	S105124543	40028947	3-5A	2	S154102033
40028169	2-3	10	S364080013	40028873	9-1B	1	S105124543	40028947	3-5B	2	S154102033
40028169	9-6A	8	S364080013	40028874	10-15C	12	S105124553	40028947	3-5C	2	S154102033
40028169	9-6B	9	S364080013	40028875	3-4A	22	S105125543	40028947	3-12	21	S154102033
40028169	9-9A	20	S364080013	40028875	3-4B	22	S105125543	40028947	6-2A	2	S154102033
40028171	3-2	9	S364100013	40028875	3-4C	22	S105125543	40028947	6-2B	2	S154102033
40028171	7-2	15	S364100013	40028876	9-1A	6	S105126043	40028947	7-1	12	S154102033
40028171	7-3B	18	S364100013	40028876	9-1B	6	S105126043	40028947	9-15	19	S154102033
40028172	2-2	2	S364120013	40028879	9-1A	5	S105128543	40028947	10-2A	6	S154102033
40028172	2-3	8	S364120013	40028879	9-1B	5	S105128543	40028947	10-2B	6	S154102033
40028178	3-13	28	S364160013	40028889	9-3	1	S107109043	40028947	10-2C	6	S154102033
40028178	9-13A	5	S364160013	40028896	9-10B	10	S107144543	40028947	10-2D	6	S154102033
40028179	9-10B	13	S364160053	40028903	3-4A	5	S139123523	40028948	3-1	2	S154102533
40028184	7-2	2	S364240013	40028903	3-4B	5	S139123523	40028948	3-4A	3	S154102533
40028194	2-1A	13	S365082013	40028903	3-4C	5	S139123523	40028948	3-4B	3	S154102533
40028194	2-1B	13	S365082013	40028908	2-1A	11	S153051613	40028948	3-4C	3	S154102533
40028194	2-1C	14	S365082013	40028908	2-1B	11	S153051613	40028948	3-10A	22	S154102533
40028196	10-14A	19	S365082613	40028908	2-1C	11	S153051613	40028948	3-10B	15	S154102533
40028196	10-14B	20	S365082613	40028913	9-5C	10	S153063033	40028948	3-10C	10	S154102533
40028196	10-14C	20	S365082613	40028913	9-5D	10	S153063033	40028948	6-3	3	S154102533
40028196	10-14D	20	S365082613	40028913	9-5E	10	S153063033	40028949	5-2A	10	S154103033
40028196	10-14E	20	S365082613	40028913	9-5F	10	S153063033	40028949	5-2B	3	S154103033
40028204	6-1	6	S365164013	40028914	6-4A	6	S153063533	40028949	5-2C	3	S154103033
40028583	3-10A	9	S202082021	40028914	6-4B	6	S153063533	40028950	2-6A	11	S154103533
40028583	3-10B	1	S202082021	40028914	6-4C	6	S153063533	40028950	2-6B	11	S154103533
40028674	10-2B	24	S220802511	40028914	9-5A	9	S153063533	40028951	5-5	13	S154104033
40028674	10-2C	24	S220802511	40028914	9-5B	9	S153063533	40028954	9-5A	15	S154105533
40028674	10-2D	24	S220802511	40028914	9-5C	29	S153063533	40028954	9-5B	15	S154105533
40028692	8-3A	23	S224402511	40028914	9-5D	29	S153063533	40028954	9-5C	16	S154105533
40028692	8-3B	23	S224402511	40028914	9-5E	30	S153063533	40028954	9-5D	16	S154105533
40028692	8-3C	23	S224402511	40028914	9-5F	30	S153063533	40028954	9-5E	16	S154105533
40028719	10-15C	16	S301060043	40028915	9-5A	4	S153064033	40028954	9-5F	16	S154105533
40028720	7-3B	20	S301080013	40028915	9-5B	4	S153064033	40028959	2-7A	2	S154123533
40028720	9-9A	19	S301080013	40028915	9-5C	6	S153064033	40028959	2-7B	2	S154123533
40028721	3-2	6	S301080043	40028915	9-5D	6	S153064033	40028959	5-1	6	S154123533
40028721	7-2	12	S301080043	40028915	9-5E	6	S153064033	40028961	10-15D	14	S154124533
40028726	5-2C	27	S301120043	40028915	9-5F	6	S153064033	40028966	8-1A	10	S155062033
40028727	10-15C	7	S301140043	40028916	9-5A	1	S153064533	40028966	8-1B	10	S155062033
40028728	9-14	6	S301160013	40028916	9-5B	1	S153064533	40028966	8-1C	10	S155062033
40028729	10-15D	8	S301160043	40028916	9-5C	1	S153064533	40028966	8-1D	10	S155062033
40028747	9-7A	14	S302100043	40028916	9-5D	1	S153064533	40028967	6-4A	14	S155062533
40028747	9-7B	13	S302100043	40028916	9-5E	1	S153064533	40028967	6-4B	14	S155062533
40028752	5-6	14	S302160043	40028916	9-5F	1	S153064533	40028967	6-4C	13	S155062533
40028755	9-11C	8	S302200053	40028917	9-5A	5	S153065033	40028970	8-3A	24	S155081633
40028763	8-2	4	S305060013	40028917	9-5B	5	S153065033	40028970	8-3B	6	S155081633
40028765	8-4A	2	S305060043	40028917	9-5C	5	S153065033	40028970	8-3C	24	S155081633
40028765	8-4B	2	S305060043	40028917	9-5D	5	S153065033	40028971	2-5	18	S155082033
40028765	8-4C	2	S305060043	40028917	9-5E	5	S153065033	40028971	2-6A	10	S155082033
40028768	9-7A	16	S305080043	40028917	9-5F	5	S153065033	40028971	8-2	7	S155082033
40028768	9-7B	17	S305080043	40028919	9-1A	10	S153081633	40028971	9-7A	5	S155082033
40028768	10-15D	20	S305080043	40028919	9-1B	10	S153081633	40028971	9-7B	6	S155082033
40028769	9-9A	7	S305100013	40028919	9-8	25	S153081633	40028971	9-15	11	S155082033
40028769	9-9B	8	S305100013	40028921	9-5E	25	S153082033	40028973	9-5A	27	S155082533
40028769	9-9C	8	S305100013	40028921	9-5F	25	S153082033	40028973	9-5B	27	S155082533
40028771	3-4A	7	S305120013	40028923	3-1	6	S153082533	40028973	9-5C	34	S155082533
40028771	3-4B	7	S305120013	40028923	3-12	20	S153082533	40028973	9-5D	34	S155082533
40028771	3-4C	7	S305120013	40028923	5-2B	16	S153082533	40028973	9-5E	35	S155082533
40028771	10-16A	13	S305120013	40028923	5-2C	16	S153082533	40028973	9-5F	35	S155082533
40028771	10-16B	13	S305120013	40028923	9-5E	26	S153082533	40028973	9-10B	5	S155082533
40028861	4-2	14	S105082043	40028923	9-5F	26	S153082533	40028976	9-2A	6	S155085033
40028871	3-4A	4	S105123543	40028930	9-9A	3	S153086033	40028976	9-2B	6	S155085033
40028871	3-4B	4	S105123543	40028930	9-9B	3	S153086033	40028986	7-3A	6	S156102533
40028871	3-4C	4	S105123543	40028930	9-9C	3	S153086033	40028986	10-4A	8	S156102533
40028873	3-4A	15	S105124543	40028931	10-15D	12	S153086533	40028986	10-4B	4	S156102533
40028873	3-4B	15	S105124543	40028939	5-2A	2	S153123533	40028986	10-4C	4	S156102533
40028873	3-4C	15	S105124543	40028947	3-4A	29	S154102033	40028987	6-3	12	S156103033

# Part Number INDEX

## CHASSIS (C3030/C3040)

PART NO.	FIG. NO.	Key No	PART NO.	PART NO.	FIG. NO.	Key No	PART NO.	PART NO.	FIG. NO.	Key No	PART NO.
40028987	10-15A	6	S156103033	40029040	9-5A	8	S313080013	40029079	10-4A	9	S346100013
40028988	7-3A	4	S156103533	40029040	9-5B	8	S313080013	40029079	10-4B	5	S346100013
40028992	9-8	13	S157051633	40029040	9-7A	19	S313080013	40029079	10-4C	5	S346100013
40028992	9-9A	32	S157051633	40029040	9-7B	21	S313080013	40029084	9-11C	7	S362200013
40028992	9-9B	26	S157051633	40029041	9-2A	8	S313080043	40029087	2-3	9	S373120023
40028992	9-9C	26	S157051633	40029041	9-2B	8	S313080043	40029095	5-5	21	S421102010
40028996	2-4	4	S159061233	40029041	9-5C	9	S313080043	40029101	3-1	5	S423081610
40028998	8-3A	15	S159061633	40029041	9-5D	9	S313080043	40029102	3-4A	8	S423102010
40028998	8-3B	15	S159061633	40029041	9-5E	9	S313080043	40029102	3-4B	8	S423102010
40028998	8-3C	15	S159061633	40029041	9-5F	9	S313080043	40029102	3-4C	8	S423102010
40028998	8-4C	16	S159061633	40029041	9-6B	19	S313080043	40029102	5-5	24	S423102010
40028998	10-1A	33	S159061633	40029047	2-5	4	S314100013	40029108	3-2	8	S427102013
40028998	10-1B	33	S159061633	40029047	3-14A	16	S314100013	40029111	10-15C	10	S427148023
40028998	10-1D	33	S159061633	40029049	2-7A	4	S314120013	40029120	2-2	6	S441251613
40028998	10-1C	33	S159061633	40029049	2-7B	4	S314120013	40029121	3-2	10	S441252013
40028998	10-1E	33	S159061633	40029051	6-3	17	S314140013	40029121	7-2	16	S441252013
40028998	10-14A	22	S159061633	40029051	9-14	10	S314140013	40029121	7-3B	17	S441252013
40029004	9-7A	21	S159081633	40029052	2-7A	16	S314160013	40029127	6-1	7	S441403613
40029004	9-7B	24	S159081633	40029052	2-7B	16	S314160013	40029128	9-13A	6	S441404013
40029004	9-9B	24	S159081633	40029052	9-10B	14	S314160013	40029130	2-2	8	S443060013
40029004	9-9C	24	S159081633	40029071	9-13C	19	S345040013	40029130	2-3	6	S443060013
40029004	9-12	9	S159081633	40029072	10-1A	32	S345050013	40029131	7-3B	12	S443080013
40029004	10-14A	16	S159081633	40029072	10-1B	32	S345050013	40029131	10-1A	14	S443080013
40029004	10-14B	17	S159081633	40029072	10-1D	32	S345050013	40029131	10-1B	14	S443080013
40029004	10-14C	17	S159081633	40029072	10-1C	32	S345050013	40029131	10-1D	14	S443080013
40029004	10-14D	17	S159081633	40029072	10-1E	32	S345050013	40029131	10-1C	14	S443080013
40029004	10-14E	17	S159081633	40029073	8-4A	11	S345060013	40029131	10-1E	14	S443080013
40029006	9-9A	17	S159082033	40029073	8-4B	11	S345060013	40029132	3-14A	20	S443100013
40029006	9-9B	22	S159082033	40029073	10-1A	35	S345060013	40029132	7-3B	14	S443100013
40029006	9-9C	22	S159082033	40029073	10-1B	35	S345060013	40029133	2-2	3	S443120013
40029006	10-1A	34	S159082033	40029073	10-1D	35	S345060013	40029133	2-6A	9	S443120013
40029006	10-1B	34	S159082033	40029073	10-1C	35	S345060013	40029133	2-6B	9	S443120013
40029006	10-1D	34	S159082033	40029073	10-1E	35	S345060013	40029133	7-2	13	S443120013
40029006	10-1C	34	S159082033	40029075	2-4	5	S345080013	40029134	10-15C	11	S443140013
40029006	10-1E	34	S159082033	40029075	9-5A	29	S345080013	40029153	3-12	8	S446033210
40029006	10-2A	11	S159082033	40029075	9-5B	28	S345080013	40029157	9-6B	14	S446042012
40029006	10-2B	11	S159082033	40029075	9-5C	37	S345080013	40029162	3-12	7	S446053210
40029006	10-2C	11	S159082033	40029075	9-5D	37	S345080013	40029164	4-1	17	S446054012
40029006	10-2D	11	S159082033	40029075	9-5E	38	S345080013	40029167	3-13	3	S446062510
40029006	10-14A	17	S159082033	40029075	9-5F	38	S345080013	40029167	3-14A	3	S446062510
40029006	10-14B	18	S159082033	40029075	9-8	16	S345080013	40029167	3-14B	3	S446062510
40029006	10-14C	18	S159082033	40029075	9-9A	22	S345080013	40029172	3-14A	7	S446063512
40029006	10-14D	18	S159082033	40029075	9-9B	29	S345080013	40029172	3-14B	7	S446063512
40029006	10-14E	18	S159082033	40029075	9-9C	29	S345080013	40029174	4-2	11	S446065010
40029007	10-16A	10	S159082513	40029075	9-13C	3	S345080013	40029175	5-3	11	S446065012
40029007	10-16B	11	S159082513	40029075	10-1A	9	S345080013	40029176	7-3B	6	S446082812
40029008	2-5	6	S159082533	40029075	10-1B	9	S345080013	40029179	4-1	8	S446084012
40029008	2-6B	10	S159082533	40029075	10-1D	9	S345080013	40029179	7-2	7	S446084012
40029008	10-15C	14	S159082533	40029075	10-1C	9	S345080013	40029187	10-1A	28	S466321010
40029014	5-6	12	S167162523	40029075	10-1E	9	S345080013	40029187	10-1B	28	S466321010
40029021	8-3A	6	S226503511	40029075	10-2A	12	S345080013	40029187	10-1D	28	S466321010
40029021	8-3C	6	S226503511	40029075	8-2B	12	S345080013	40029187	10-1C	28	S466321010
40029022	10-1A	40	S234401613	40029075	10-2C	12	S345080013	40029187	10-1E	28	S466321010
40029022	10-1B	40	S234401613	40029075	10-2D	12	S345080013	40029187	11-2A	34	S466321010
40029022	10-1D	40	S234401613	40029075	10-14A	18	S345080013	40029187	11-2B	33	S466321010
40029022	10-1C	40	S234401613	40029075	10-14B	19	S345080013	40029187	11-2C	36	S466321010
40029027	10-15D	21	S306100043	40029075	10-14C	19	S345080013	40029187	11-2D	18	S466321010
40029031	5-6	9	S306160013	40029075	10-14D	19	S345080013	40029187	11-2E	36	S466321010
40029034	6-1	2	S306180043	40029075	10-14E	19	S345080013	40029187	11-2F	32	S466321010
40029040	2-3	11	S313080013	40029075	10-16A	14	S345080013	40029187	11-2G	38	S466321010
40029040	6-4A	1	S313080013	40029075	10-16B	4	S345080013	40029193	9-6A	5	S801009010
40029040	6-4B	1	S313080013	40029079	10-1A	47	S346100013	40029193	9-6B	3	S801009010
40029040	6-4C	1	S313080013	40029079	10-1B	47	S346100013	40029195	9-8	22	S801010020
40029040	8-4A	6	S313080013	40029079	10-1D	47	S346100013	40029195	9-9A	28	S801010020
40029040	8-4B	6	S313080013	40029079	10-1C	47	S346100013	40029195	9-9B	35	S801010020
40029040	8-4C	9	S313080013	40029079	10-1E	49	S346100013	40029195	9-9C	35	S801010020

Part Number INDEX

CHASSIS (C3030/C3040)

PART NO.	FIG. NO.	Key No	PART NO.	PART NO.	FIG. NO.	Key No	PART NO.	PART NO.	FIG. NO.	Key No	PART NO.
40029196	3-13	22	S801010A10	40029254	3-4A	19	S804070010	40029300	3-7B	5	S811068001
40029196	3-14A	30	S801010A10	40029254	3-4B	19	S804070010	40029301	3-7A	1	S811072001
40029196	3-14B	15	S801010A10	40029254	3-4C	19	S804070010	40029301	3-7B	1	S811072001
40029197	9-3	7	S801011010	40029254	3-9A	13	S804070010	40029301	3-9A	10	S811072001
40029198	9-3	9	S801011011	40029254	3-9B	7	S804070010	40029301	3-9B	4	S811072001
40029199	3-14A	26	S801012010	40029254	3-10A	20	S804070010	40029304	5-4	14	S811090001
40029200	9-2A	7	S801012020	40029254	3-10B	13	S804070010	40029304	5-5	6	S811090001
40029200	9-2B	7	S801012020	40029254	3-10C	8	S804070010	40029305	5-5	14	S811140001
40029201	6-2A	12	S801014010	40029258	9-13C	6	S810010001	40029308	3-5C	32	S812032001
40029201	6-2B	12	S801014010	40029259	2-7A	11	S810012001	40029311	6-2A	5	S813035001
40029201	9-13C	14	S801014010	40029259	2-7B	11	S810012001	40029311	6-2B	5	S813035001
40029202	9-8	2	S801014020	40029259	9-7A	11	S810012001	40029314	9-2A	3	S814006003
40029202	9-8	21	S801014020	40029259	9-7B	10	S810012001	40029314	9-2B	3	S814006003
40029202	9-9A	27	S801014020	40029261	3-13	8	S810016001	40029314	9-6A	7	S814006003
40029202	9-9B	34	S801014020	40029262	9-13B	5	S810016003	40029314	9-6B	8	S814006003
40029202	9-9C	34	S801014020	40029265	3-10A	4	S810020001	40029314	9-7A	15	S814006003
40029203	3-14A	32	S801015010	40029265	3-14A	35	S810020001	40029314	9-7B	19	S814006003
40029204	3-13	5	S801016010	40029265	6-3	4	S810020001	40029318	9-6A	9	S814009003
40029204	3-14A	5	S801016010	40029270	3-5C	24	S810022001	40029318	9-6B	11	S814009003
40029204	3-14B	5	S801016010	40029270	3-10A	1	S810022001	40029321	3-13	27	S814015001
40029204	4-1	10	S801016010	40029270	3-10B	3	S810022001	40029322	9-10B	2	S814015003
40029204	9-5C	27	S801016010	40029270	3-10C	11	S810022001	40029348	10-16A	11	S101085543
40029204	9-5D	27	S801016010	40029271	3-10A	13	S810025001	40029348	10-16B	10	S101085543
40029204	9-5E	28	S801016010	40029271	3-10B	17	S810025001	40029362	9-9A	6	S101102543
40029204	9-5F	28	S801016010	40029271	3-10C	1	S810025001	40029362	9-9B	7	S101102543
40029204	9-6A	2	S801016010	40029271	7-2	6	S810025001	40029362	9-9C	7	S101102543
40029204	9-6B	21	S801016010	40029273	3-5A	31	S810030001	40029381	5-2B	7	S101123043
40029206	6-4A	7	S801018010	40029273	3-5B	31	S810030001	40029381	5-2C	7	S101123043
40029206	6-4B	7	S801018010	40029273	3-5C	30	S810030001	40029393	10-15B	4	S101142543
40029206	6-4C	7	S801018010	40029273	3-7A	20	S810030001	40029395	9-10A	3	S101143543
40029206	9-3	10	S801018010	40029273	3-7B	20	S810030001	40029395	9-10B	17	S101143543
40029206	9-5A	2	S801018010	40029273	3-10A	16	S810030001	40029395	9-14	12	S101143543
40029206	9-5B	2	S801018010	40029273	3-10C	5	S810030001	40029397	5-2B	24	S101144043
40029206	9-5C	2	S801018010	40029273	3-12	16	S810030001	40029397	5-2C	24	S101144043
40029206	9-5D	2	S801018010	40029273	5-4	5	S810030001	40029397	5-5	23	S101144043
40029206	9-5E	2	S801018010	40029274	3-5A	15	S810032001	40029397	9-11A	5	S101144043
40029206	9-5F	2	S801018010	40029274	3-5B	15	S810032001	40029397	9-11B	3	S101144043
40029206	9-8	11	S801018010	40029274	3-6A	16	S810032001	40029397	9-11C	3	S101144043
40029208	4-1	12	S801021010	40029274	3-6B	23	S810032001	40029397	10-15A	4	S101144043
40029211	7-1	10	S801025010	40029274	3-7A	7	S810032001	40029397	10-15D	13	S101144043
40029211	7-2	17	S801025010	40029274	3-7B	7	S810032001	40029399	7-3B	8	S101144543
40029212	5-2A	20	S801030010	40029276	3-9A	15	S810036001	40029407	10-15C	6	S101149043
40029217	3-12	5	S801046010	40029276	3-9B	11	S810036001	40029419	9-11C	4	S101206553
40029217	3-12	11	S801046010	40029277	3-5A	22	S810040001	40029449	10-15D	6	S102161243
40029217	6-2A	13	S801046010	40029277	3-5B	22	S810040001	40029469	9-8	6	S103125043
40029217	6-2B	13	S801046010	40029277	3-5C	18	S810040001	40029472	2-7A	7	S103149043
40029222	3-12	3	S802040010	40029277	3-10A	3	S810040001	40029472	2-7B	7	S103149043
40029223	9-1A	12	S802045010	40029278	9-1A	14	S810042001	40029474	5-6	11	S103163043
40029223	9-1B	12	S802045010	40029278	9-1B	14	S810042001	40029477	5-1	5	S103164543
40029225	3-12	1	S802060010	40029280	3-6A	35	S810050001	40029482	9-10B	12	S103167043
40029228	5-2A	4	S802075010	40029284	7-1	6	S810058001	40029491	10-15C	15	S163062043
40029229	5-2A	6	S802080010	40029292	3-5A	33	S811032001	40029495	9-2A	9	S163085043
40029230	5-2B	22	S802090010	40029292	3-5B	33	S811032001	40029495	9-2B	9	S163085043
40029230	5-2C	22	S802090010	40029294	6-3	5	S811042001	40029495	9-7A	18	S163085043
40029234	5-2A	13	S802175010	40029296	3-12	10	S811052001	40029495	9-7B	20	S163085043
40029238	3-10A	25	S804008010	40029299	3-5A	23	S811062001	40029500	5-2C	29	S163123543
40029242	3-10B	4	S804020010	40029299	3-5B	23	S811062001	40029523	4-1	14	S165102543
40029246	9-5A	14	S804028010	40029299	3-5C	19	S811062001	40029546	2-4	7	S361080013
40029246	9-5B	14	S804028010	40029299	3-6A	2	S811062001	40029546	6-4A	2	S361080013
40029246	9-5C	15	S804026010	40029299	3-6B	2	S811062001	40029546	6-4B	2	S361080013
40029246	9-5D	15	S804026010	40029299	3-7A	15	S811062001	40029546	6-4C	2	S361080013
40029246	9-5E	15	S804026010	40029299	3-7B	15	S811062001	40029546	9-2A	13	S361080013
40029246	9-5F	15	S804028010	40029299	3-10A	12	S811062001	40029546	9-2B	13	S361080013
40029252	3-5A	4	S804060010	40029299	3-10B	9	S811062001	40029546	9-5A	7	S361080013
40029252	3-5B	4	S804060010	40029299	3-10C	3	S811062001	40029546	9-5B	7	S361080013
40029252	3-5C	4	S804060010	40029300	3-7A	5	S811068001	40029546	9-5C	8	S361080013

# Part Number INDEX

## CHASSIS (C3030/C3040)

PART NO.	FIG. NO.	Key No	PART NO.	PART NO.	FIG. NO.	Key No	PART NO.	PART NO.	FIG. NO.	Key No	PART NO.
40029546	9-5D	8	S361080013	40036062	5-3	7	A1324062	40223404	10-14F	1	-
40029546	9-5E	8	S361080013	40036065	5-4	4	A1400121	40223406	10-2E	17	-
40029546	9-5F	8	S361080013	40036066	5-4	10	A1400124	40223407	10-1F	39	-
40029546	10-15D	22	S361080013	40036067	5-4	6	A1400153	40223408	10-2E	18	-
40029546	10-16B	14	S361080013	40036068	5-3	1	A1400172	40223409	10-1F	29	-
40029549	2-5	3	S361100013	40036079	5-2B	14	A1400288	40223410	10-1F	37-45	-
40029549	5-2B	2	S361100013	40036079	5-2C	14	A1400288	40223411	10-1F	30	-
40029549	5-2C	2	S361100013	40036080	5-4	18	A1402044	40223412	10-2E	8	-
40029549	9-3	2	S361100013	40036082	5-4	21	A1402068	40223414	10-14F	10	-
40029549	9-7A	2	S361100013	40036101	3-2	4	A1260054				
40029549	9-7B	2	S361100013	40036319	9-15	21	A1829033				
40029549	10-15D	23	S361100013	40036320	9-15	2	A1829037				
40029551	2-7A	3	S361120013	40036321	9-15	5	A1829040				
40029551	2-7B	3	S361120013	40036322	9-15	3	A1829042				
40029551	3-4A	6	S361120013	40036323	9-15	4	A1829043				
40029551	3-4B	6	S361120013	40036342	9-13C	21	A1896384				
40029551	3-4C	6	S361120013	40036343	9-15	6	A1896403				
40029551	5-2A	12	S361120013	40036344	9-13C	23,24	A1896559				
40029551	5-2B	8	S361120013	40036358	9-13C	20	A3340046				
40029551	5-2C	8	S361120013	40049470	3-4B	12	A1280165				
40029551	9-1A	2	S361120013	40049470	3-4C	12	A1280165				
40029551	9-1B	2	S361120013	40049753	9-13C	22	A1896329				
40029551	9-8	9	S361120013	40049939	9-13C	7	A1896491				
40029551	10-15C	13	S361120013	40056818	9-13C	4	S163041613				
40029553	2-7A	6	S361140013	40056827	9-13C	5	S301040013				
40029553	2-7B	6	S361140013	40059253	10-1E	30	A1830326				
40029553	5-2B	23	S361140013	40059254	10-1E	29	A1830325				
40029553	5-2C	23	S361140013	40059311	5-4	19	3A1970114				
40029553	5-5	22	S361140013	40059364	8-4A	8	A1760041				
40029553	6-3	16	S361140013	40059364	8-4B	8	A1760041				
40029553	7-3B	3	S361140013	40059364	8-4C	13	A1760041				
40029553	9-10A	2	S361140013	40059365	8-4C	20	A1760048				
40029553	9-10B	9	S361140013	40067166	5-1	3	A1400130				
40029553	9-10B	16	S361140013	40067167	5-1	3	A1400131				
40029553	9-11A	4	S361140013	40067168	5-1	3	A1400132				
40029553	9-11B	2	S361140013	40067305	9-15	9	A1829048				
40029553	9-11C	2	S361140013	40067309	9-15	10	A1829066				
40029553	9-12	5	S361140013	40067310	9-15	20	A1829067				
40029553	9-14	9	S361140013	40150828	6-4B	8,11	A1630566				
40029553	10-15A	3	S361140013	40150828	6-4C	8,11	A1630566				
40029553	10-15B	3	S361140013	40150893	9-15	1-8	A1829054				
40029553	10-15C	8	S361140013	40150939	9-13C	1-18	A1896499				
40029553	10-15D	15	S361140013	40151580	9-15	12,17	A1CMS903				
40029555	2-7A	15	S361160013	40151583	9-15	15,17	A1CMS904				
40029555	2-7B	15	S361160013	40151585	9-15	16,18	A1CMS905				
40029555	3-14A	13	S361160013	40152755	8-4A	7	A1760042				
40029555	5-1	4	S361160013	40152755	8-4B	7	A1760042				
40029555	5-6	10	S361160013	40154351	9-15	13	A1823357				
40029555	5-6	13	S361160013	40154741	9-15	15	A1823373				
40029555	10-15D	7	S361160013	40154742	9-15	16	A1823374				
40029567	8-2	3	S363060013	40156748	9-13C	1	A1896498				
40029567	10-1A	42	S363060013	40156841	9-15	14	A1823358				
40029567	10-1B	42	S363060013	40156850	9-15	8	A1829046				
40029567	10-1D	42	S363060013	40156860	9-15	7	A1829056				
40029567	10-1C	42	S363060013	40156915	9-13C	23	A1896560				
40030211	3-7A	22	A1970274	40156927	9-15	1	A1829055				
40030211	3-7B	22	A1970274	40156936	6-4B	8	A1630567				
40032483	9-13C	13	A1630157	40156936	6-4C	8	A1630567				
40032898	9-13C	15	A1896374	40156958	9-13C	9	A1896497				
40032899	9-13C	18	A1896375	40156964	9-15	12	A1823372				
40032900	9-13C	8	A1896463	40159001	10-1E	41	A1981109				
40032901	9-13C	2	A1896490	40213639	10-1F	24	-				
40033278	10-14B	9	A1870496	40223401	10-2E	10	-				
40033279	10-14B	10	A1870497	40223402	10-14F	7	-				
40034632	6-3	2	A1630222	40223403	10-2E	9	-				
40036061	5-3	4	A1324060	40223403	10-14F	9	-				